

ThermoConnect TCon2

Anywhere. Anytime. Smart way to control your parking heater.



ThermoConnect TCon2 Receiver

Compact housing: Easy to integrate in tight spaces

Reduced installation times: Simple Plug&Play principle with just only one plug connector.

Integrated antennas: No need for time consuming fitting of antennas, as both cellular and GPS antennas are already equipped in the TCon2 receiver.

Ready to use out of the box: eSIM is pre-installed and activated, thus no additional SIM card handling is needed, such as installation or refill of prepaid credit.

No roaming restrictions: eSIM connects automatically with a local mobile provider over 2G/4G and transmits signals over data connection.

Fits to every heater: TCon2 is easily programmable and adaptable to any kind of Webasto heater type, air or water.

Perfect choice for upgrades: Webasto remote controls of previous generations are easily retrofittable with the new TCon2 unit. Even factory-preinstalled Webasto heaters can be updated with new connectivity features.

- Compact housing with integrated antennas
- Reduced installation times
- Ready to use out of the box
- eSIM preinstalled and activated
- Signal transmission through data connection 2G / 4G
- Fits to every heater type
- Perfect choice for upgrades
- Convenient control of heaters almost anywhere in the world through ThermoConnect App or Browser
- Smart geolocation features
- Several vehicles can be controlled in one App
- Alexa voice control



Car



Truck



Light Vehicles



Bus



Recreational Vehicle



Off-Highway



Marine



Special Vehicles

Technical specifications:

	ThermoConnect TCon2
ECE approval number	E17 10R-05 0151
CE Declaration of Conformity	2014/53/EU for further information see Declaration of conformity
User interface	ThermoConnect App, my.webasto-connect.com
Supported operating systems	iOS, Android, internet capable end devices via my.webasto-connect.com
Wireless network	2G / 4G
Antennas	internal cellular and GPS antenna
Operating voltage range (V)	12/24 DC
Temperature sensor	Included in the kit, integrated on the button
Allowed ambient temperatures (°C)	-40 to +85
Dimensions: (length x width x height) (mm)	112 x 70 x 18
IP protection class	IP42
Additional push button	Yes, with green status indicator

Scope of Delivery

- ThermoConnect TCon2 receiver
- Wiring harness
- Instant start push button
- QR code label
- Operation and installation instruction

Supported Webasto Heaters

- Thermo Top Evo 4/5/5+ water heaters
- Thermo Pro 50 Eco water heater
- Thermo Pro 90 water heater
- Thermo Top Pro 120/150 water heaters
- Air Top 2000 STC air heater
- Air Top Evo 40/55 air heater

ThermoConnect App for Android, iOS and Browser

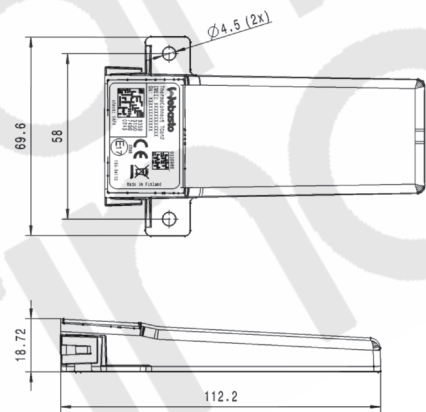
Comfort of use: Convenient control of connected Webasto parking heater everywhere and at any time possible. Just visit my.webasto-connect.com or install ThermoConnect App on your Android or iOS smartphone

Smart status: Get latest info such as status of the heater, interior temperature and vehicle position

Smart location based functions: Several features utilize GPS position of the vehicle, such as position based timer activation and definition of geofencing alarms

Easy mode selection: Choose heating or ventilation mode

Multiple vehicles: Connect more than one vehicle in one app, e.g. your company car, your personal car and your camper



Subscription based use of services: First year is free of charge, thereafter 34,99 EUR annual subscription fee

Alarm function: Additional analog input to alert via SMS & App notification

The ThermoConnect can be used in the following

countries: Andorra, Austria, Belgium, Bulgaria, Croatia, Cyprus, Czech Republic, Denmark, Estonia, Finland, France, Germany, Greece, Greenland, Hungary, Iceland, Ireland, Italy, Latvia, Liechtenstein, Lithuania, Luxembourg, Malta, Netherlands, Norway, Poland, Portugal, Romania, Slovakia, Slovenia, Spain, Sweden, Switzerland, United Kingdom