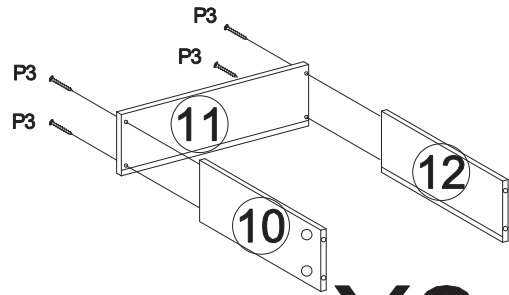


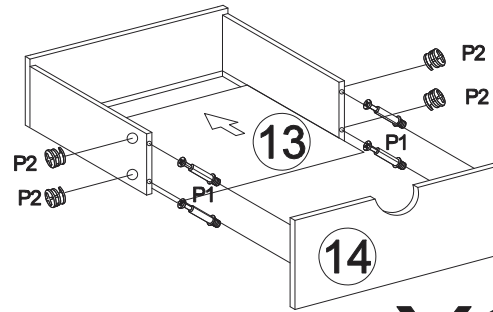
Working Desk 工作桌  
 Item Code 編號: 447010  
 Assembly Manual 組裝說明書

P1			16 PCS
P2			16 PCS
P3		M4X35mm	8 PCS
P4		M8X30mm	12 PCS
P5		M5X20mm	2 PCS
P6			5 PCS
P7		M6X20mm	5 PCS
P8		M6X45mm	2 PCS
P9			4 PCS
P10			1 PC
P11		M5X40mm	8 PCS
P12		M6X30mm	4 PCS

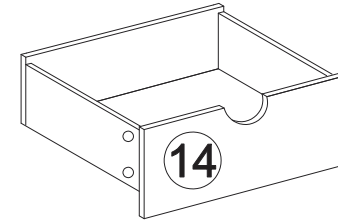
1



X2

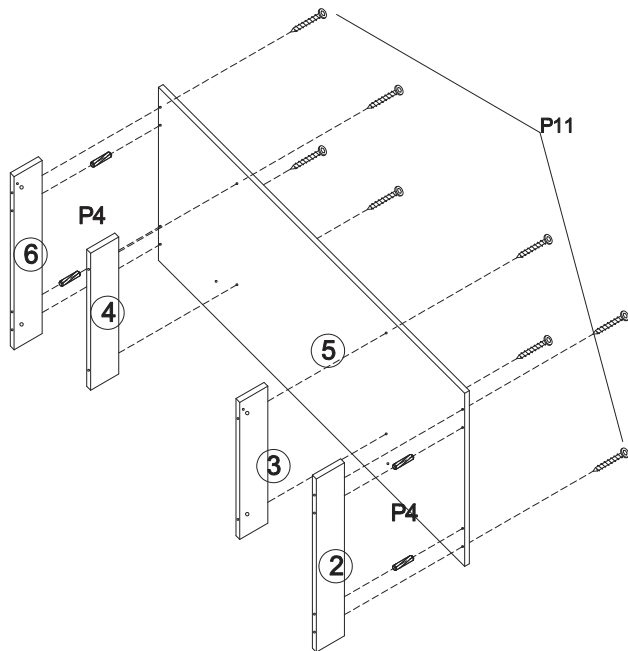


X2

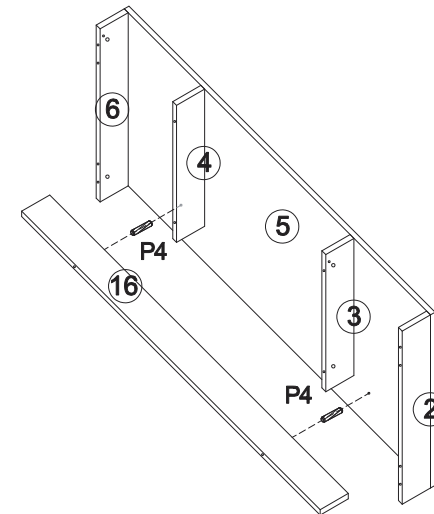


X2

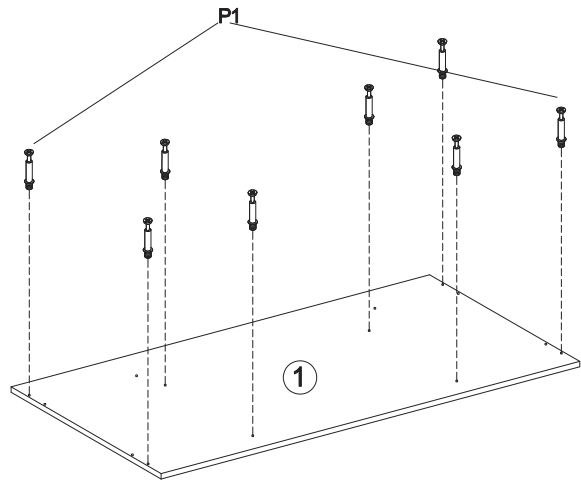
2



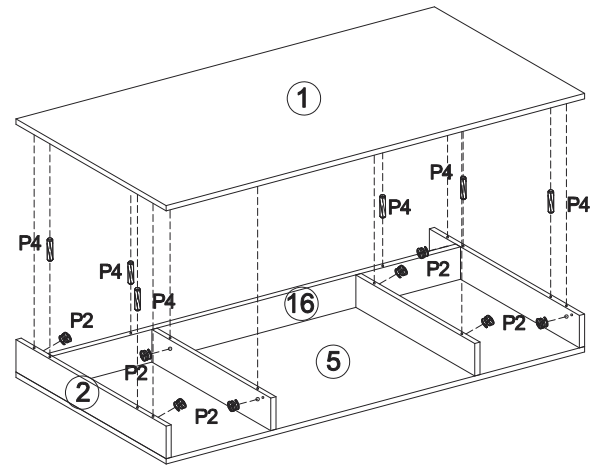
3



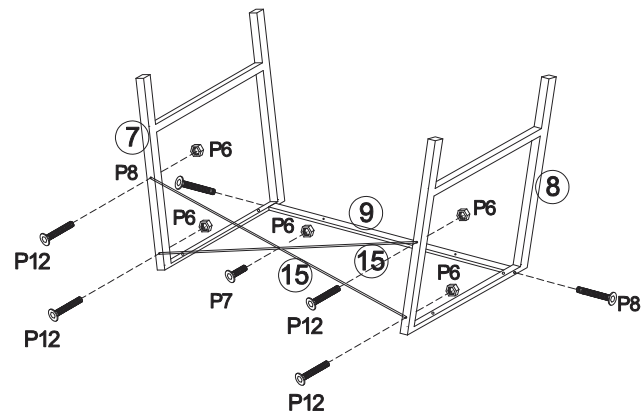
4



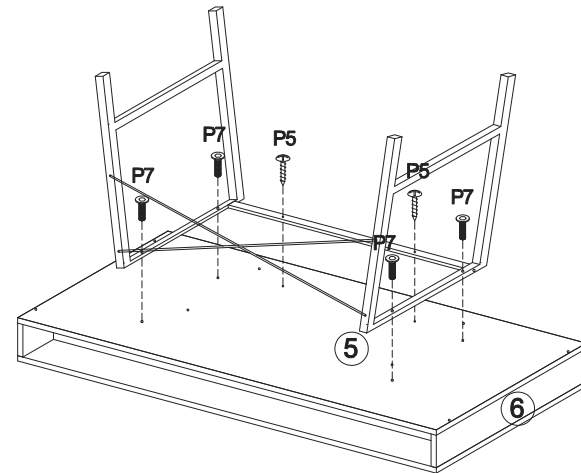
5



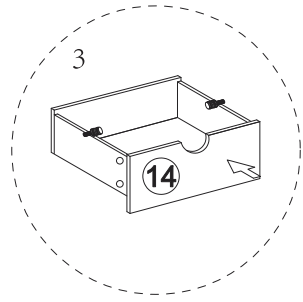
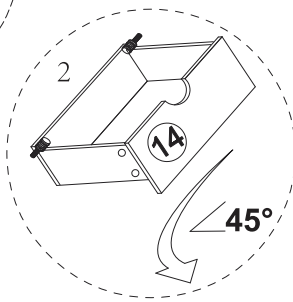
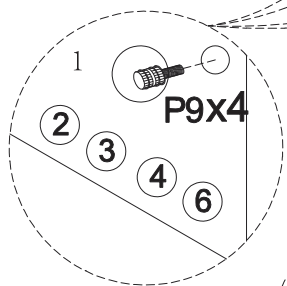
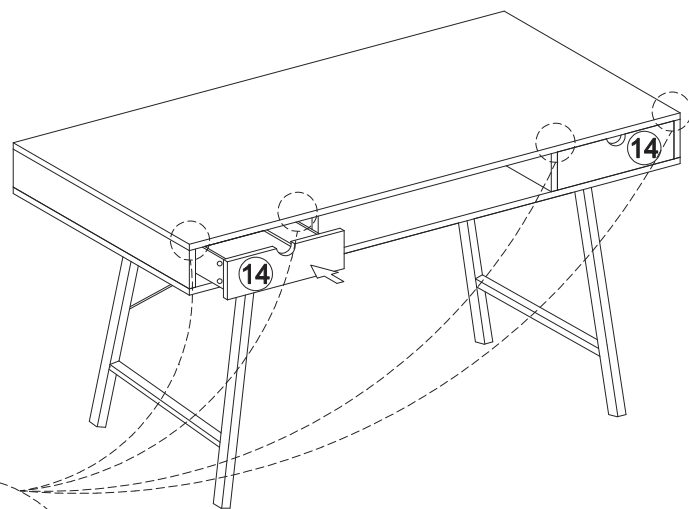
6



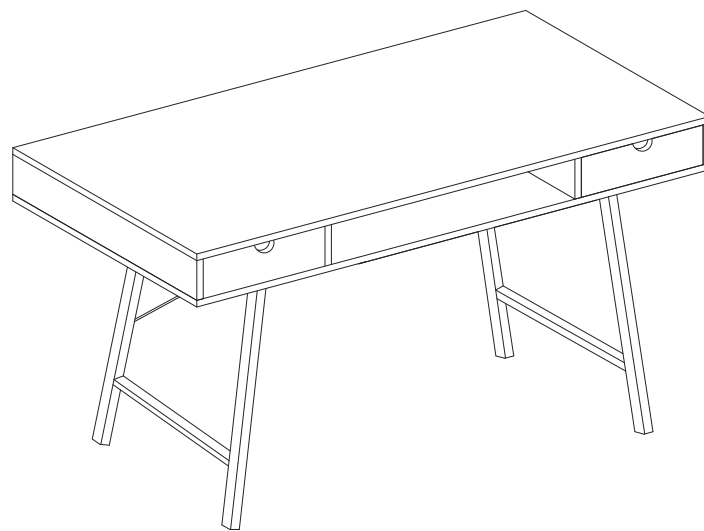
7



8



9





### **Cautions 注意事項**

**Make sure all parts are present before starting the assembly of the furniture.** 開始組裝家具之前，請確保所有零件都存在。

**One / Two people are required to assemble this item.**

需要一/兩人組裝該物品。

**For better protection of your furniture, we recommend placing your produced on a protected surface during assembly to prevent damage.**

為了更好地保護您的家具，我們建議您將家具放在在組裝過程中會在受保護的表面上產生產品以防止損壞。

**During assembly, please take care not to over-tighten the fasteners as this will may damage the product.**

在組裝過程中，請注意不要過度擰緊緊固件，因為這會 可能會損壞產品

**Assemble this product on a flat, solid and even surface.**

將本產品組裝在平坦，牢固且平坦的表面上。

**Do not stand on the product. Do not use the product as a stepladder.**

請勿站在本產品上。請勿將本產品用作梯子。

**Do not lift or move the product if it is supporting / loading any object.**

請勿抬起或移動產品當它支撐或承載任何物體。

**This product is intended for domestic and indoor use only.**

本產品僅供家庭和室內使用。

**The item is not a toy or a climbing apparatus. Ensure all people especially children, do not pull themselves up on the item or lean against it. The item may fall over.**

該物品不是玩具或攀爬設備。確保所有人尤其是兒童，不要將自己拉起或倚靠在物品上。該項目可能會掉下來。

**Do not knee on any part of the product during assembly.**

在組裝過程中，請勿跪在產品的任何部位。

**Never stand or sit on the Table.**

切勿站立或坐在枱上。

**Max. loading table: 80kg**

桌子最高承重量： 80公斤

**Care and Maintenance Recommendation for your furniture.**

家具保養和保養建議

**Check the bindings from time to time and tighten them if necessary.**

不時檢查裝訂線，必要時將其擰緊。

**Clean your product using a damp cloth.**

使用濕布清潔產品。

**Do not drag or pull your furniture.**

請勿拖動或拉動家具。

**After use the product for a period of time, please check on the product every time before use.**

使用產品一段時間後，請在使用前每次檢查產品。

**The English version of the above shall prevail whenever there is a discrepancy between the English and Chinese versions.**

以上內容的中英文文本如有歧異，概以英文文本為準

**Please retain the instruction manual for future reference.**

請保留說明書以備將來參考

產品由【置好價】出售

Manufactured for and distributed by 「置好價」 Spot On Dealz

Website: [www.spotondealz.com.hk](http://www.spotondealz.com.hk)

Telephone: (852) 2117 1881

Made in China 中國製造