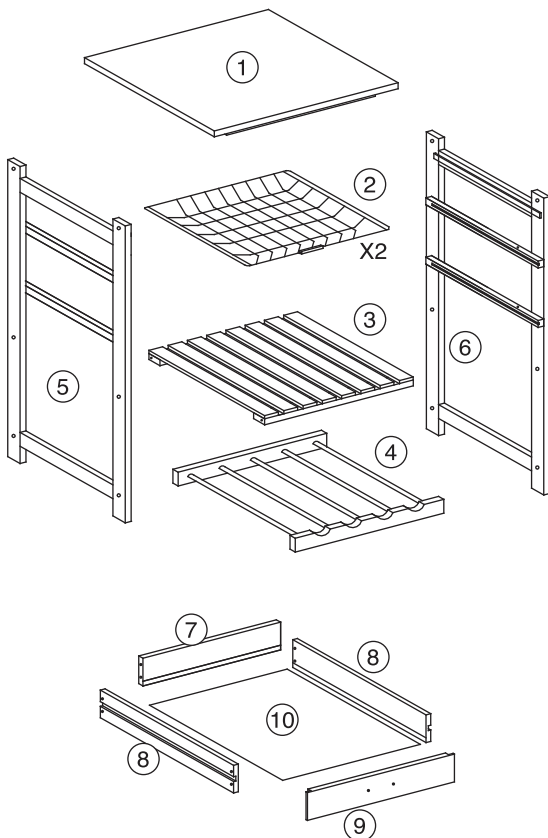
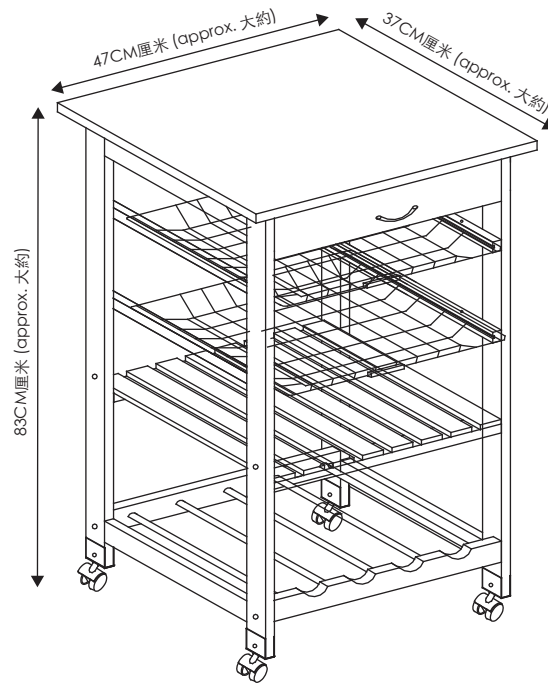
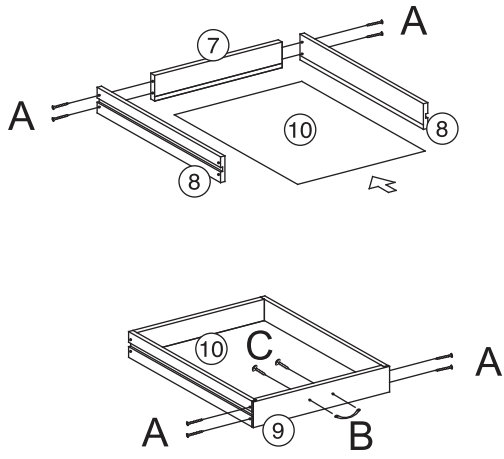


Kitchen Trolley餐車  
 Item Code編號: 446954  
 Instruction Manual組裝說明書

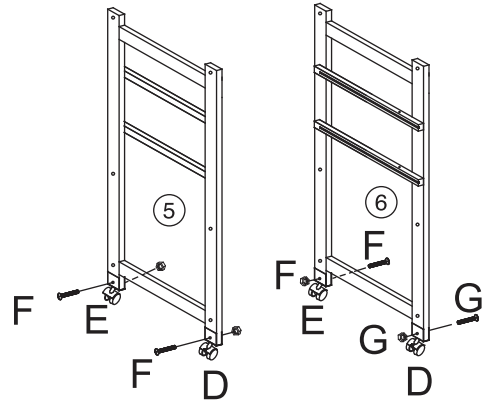


A		3x25mm	8 PCS
B			1 PC
C		4x14mm	2 PCS
D			2 PCS
E			2 PCS
F		6x30mm	4 PCS
G		5x40mm	12 PCS
H			4 PCS
I		3x12mm	1 PC
J			1 PC

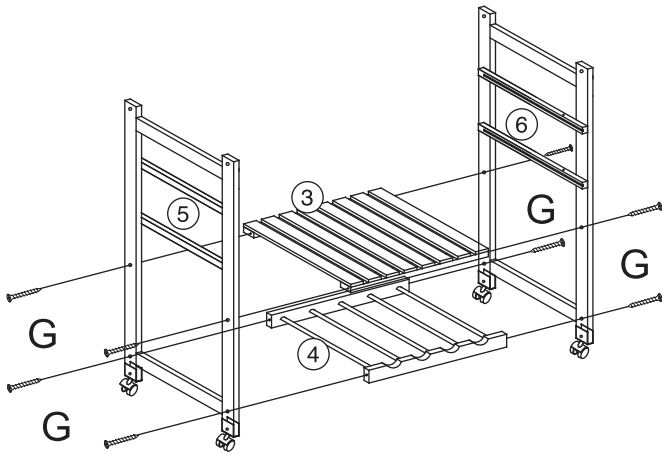
1



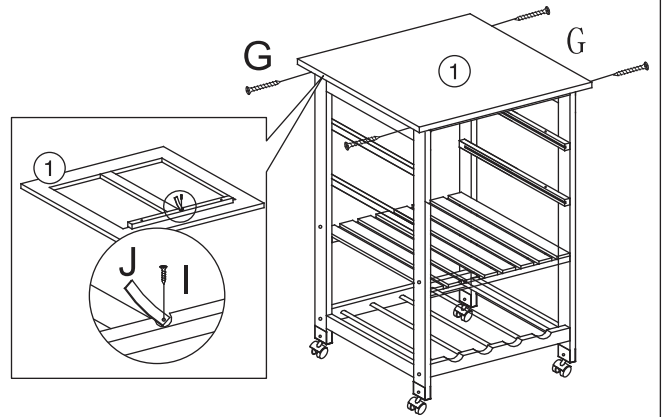
2



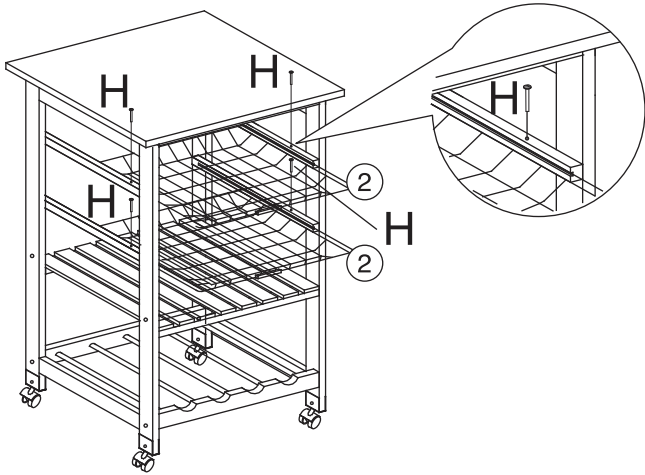
3



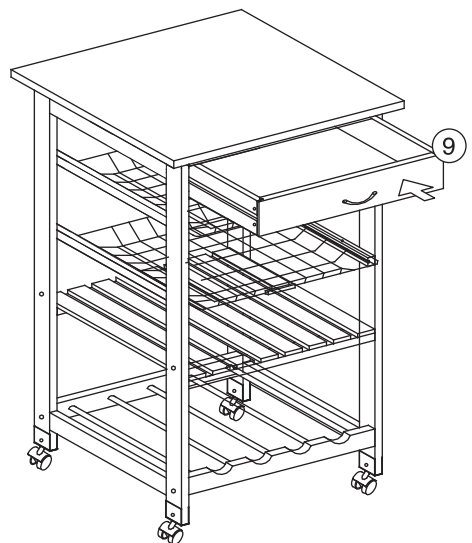
4



5



6



**WARNING! DANGER TO LIFE AND RISK OF ACCIDENT FOR INFANTS AND CHILDREN!**

Never leave children unsupervised with the packaging material. There is a danger of suffocation. During installation, keep children away from the area in which you are working. The contents of this package include many small screws and small parts. These small parts could be inhaled or swallowed and cause a danger to life.

**警告!** 嬰兒和兒童的生命構成危險和風險! 切勿讓兒童在未監督包裝材料的情況下使用。有窒息的危險。在安裝過程中, 請讓孩子們遠離您工作的地方。該包裝中的物品包括許多小螺釘和小零件。這些小零件可能被吸入或吞嚥並危及生命。

**Cautions 注意事項**

No direct food contact.

不適合直接接觸食物。

Make sure all parts are present before starting the assembly of your furniture.

開始組裝家具之前, 請確保所有零件都存在。

One / Two people are required to assemble this item.

需要一/兩人組裝該物品。

For larger items, make sure you have enough space and (shown on page 1) to safely assemble your product.

對於較大的物品, 請確保您有足夠的空間並 (如第1頁上所示) 安全地組裝產品。

For better protection of your furniture, we recommend placing your produced on a protected surface during assembly to prevent damage.

為了更好地保護您的家具, 我們建議您將家具放在受保護的表面上, 以防止在組裝過程中損壞產品。

During assembly, please take care not to over-tighten the fasteners as this will may damage the product.

在組裝過程中, 請注意不要過度擰緊固件, 因為這可能會損壞產品。

Assemble this product on a flat, solid and even surface.

將本產品組裝在平坦, 牢固且平坦的表面上。

Do not stand on the product. Do not use the product as a stepladder.

請勿站在本產品上。請勿將本產品用作梯子。

This product is intended for domestic and indoor use only.

本產品僅供家庭和室內使用。

Do not knee on any part of the product during assembly.

在組裝過程中, 請勿跪在產品的任何部位。

Do not load the product with a weight of more than 15 kg, otherwise there is a risk of injury and / or damage to the product.

請勿將重量超過 15 kg 的產品裝入本產品中, 否則有造成人身傷害和/或損壞產品的危險。

This item is not a toy or a climbing apparatus. Make sure nobody climb or leans on the product, particularly children.

The product

may become unbalanced and tip over. This may result in injury and / or damage.

這物品不是玩具或攀爬設備, 確保所有人尤其是兒童。產品可能會變得不平衡並傾倒。這可能會導致受傷和/或損壞。

To prevent tilting, the longitudinal movement direction of the trolley is required.

為了防止傾斜, 需要手推車的縱向為移動方向。

Maximum load: 5 kg for top, 2 kg per shelf, 0.5 kg drawer.

最大負載: 頂部 5 公斤, 每層 2 公斤, 抽屜 0.5 公斤。

Clean your product using a damp cloth.

使用濕布清潔產品。

After use the product for a period of time, please check on the product every time before use.

使用產品一段時間後, 請在使用前每次檢查產品。

Use a dry cloth to clean the surface of the furniture; do not use abrasive or corrosive chemicals.

用乾布清潔家具表面; 請勿使用研磨性或腐蝕性化學物質。

The English version of the above shall prevail whenever there is a discrepancy between the English and Chinese versions.

以上內容的中英文文本如有歧異, 概以英文文本為準。

Please retain the instruction manual for future reference.

請保留說明書以備將來參考。

產品由【置好價】出售

Manufactured for and distributed by 「置好價」 Spot On Dealz

Website: [www.spotondealz.com.hk](http://www.spotondealz.com.hk)

Telephone: (852) 2117 1881

Made in China 中國製造