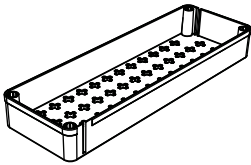
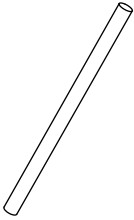

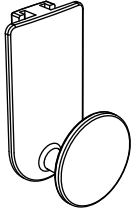


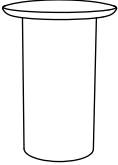
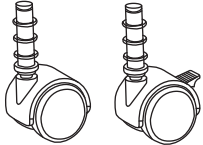
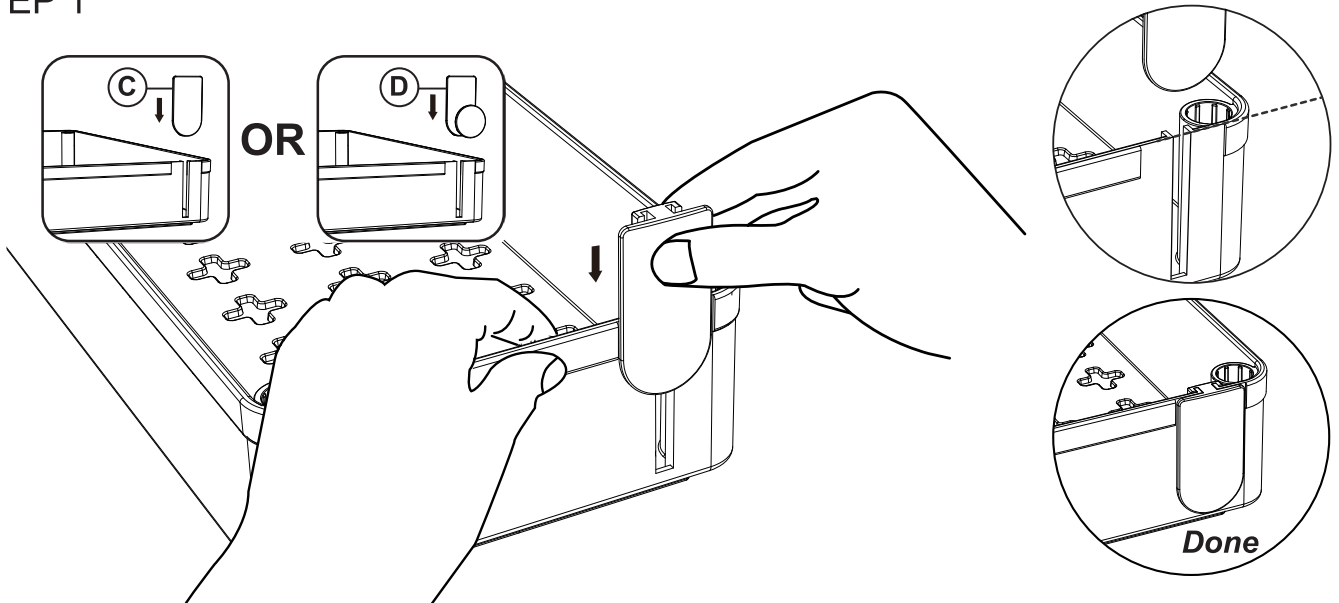
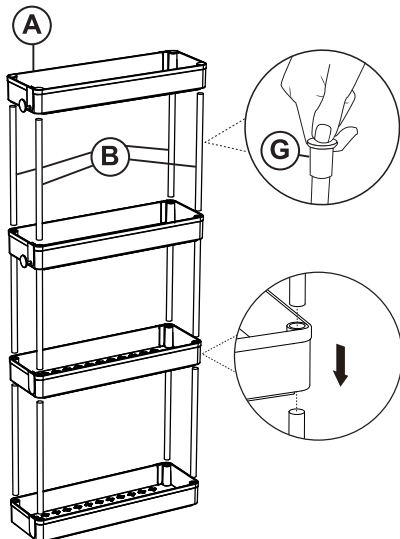


<p>A x4 Mesh basket</p> 	<p>B x12 Pipe</p> 	<p>C x6 Latch alpha</p> 	<p>D x4 Latch beta</p> 
<p>E x2 Hook</p> 	<p>F x4 Cover</p> 	<p>G x1 Small hat</p> 	<p>H1 x2 H2 x2 Caster</p> 

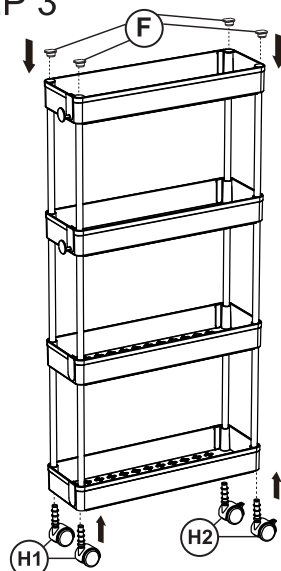
STEP 1



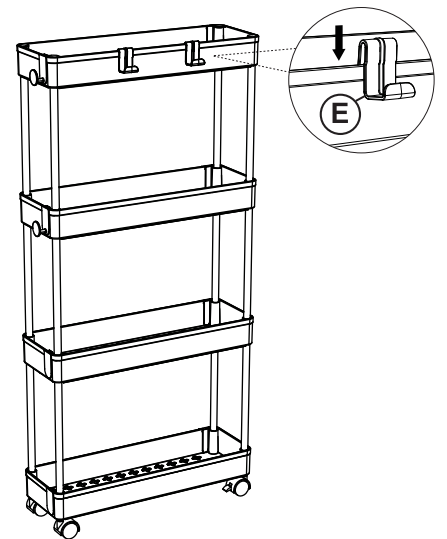
STEP 2



STEP 3



STEP 4





4 Tier slim storage cart 4層窄身儲物推車

MTP code 編號: HH-TRLY003-BK / HH-TRLY003-WT
Assembly Instruction Manual 組裝說明書

WARNING! DANGER TO LIFE AND RISK OF ACCIDENT FOR INFANTS AND CHILDREN! 警告！嬰兒和兒童的生命構成危險和風險！

Never leave children unsupervised contact with the packaging material. There is a danger of suffocation.
切勿讓兒童在未監督的情況下與包裝材料接觸。會有窒息的危險。

During installation, keep children away from the area in which you are working. The contents of this package include many small parts. These small parts could be inhaled or swallowed and cause a danger to life.
在安裝過程中，請讓孩子們遠離您工作的地方。該包裝的物品中包括許多小零件。這些小零件可能被吸入或吞嚥並危及生命。

CAUTIONS 注意事項

Make sure all parts are present before starting the assembly of the furniture.
開始組裝家具之前，請確保所有零件都存在。

One / Two people are required to assemble this item.
需要一/兩人組裝該物品。

For larger items, make sure you have enough space and (shown on page 1) to safely assemble your product.
對於較大的物品，請確保您有足夠的空間並（如第1頁上所示）安全地組裝產品。

For better protection of your furniture, we recommend placing your product on a protected surface during assembly to prevent damage.
為了更好地保護您的家具，我們建議您在組裝家具過程中，將家具放在平整的表面上以防止損壞。

This product is intended for domestic and indoor use only.
本產品僅供家庭和室內使用。

Do not touch the edges of the ends of the steel pipes.
不要觸摸鋼管末端的邊緣。

Please wear gloves during the assembly.
組裝時請戴上手套。

A small hat ⑥ is given to avoid the stainless steel tube being too sharp and hurting your hands when assembling.
贈送的配件 ⑥，是用來避免不銹鋼管太鋒利，組裝時刮傷手。

Do not load the product with a weight of more than 16 kg, otherwise there is a risk of injury and / or damage to the product.
請勿將重量超過16 kg的產品裝入本產品中，否則有造成人身傷害和/或損壞產品的危險。

Maximum load: Whole product 16 kg, 4 kg per shelf.
最大負載: 整個產品 16 公斤，每個儲物架 4公斤。

The English version of the above shall prevail whenever there is a discrepancy between the English and Chinese versions.

以上內容的中英文文本如有歧異，概以英文文本為準。

Please retain the instruction manual for future reference.
請保留說明書以備將來參考。

產品由【乜都有有限公司】出售
The item is prepared for and distributed by
Multi Products (HK) Ltd
Website: www.spotondealz.com.hk
Telephone: (852) 2117 1881
Made in China 中國製造