



MICHIGAN SIDE TABLE

Item code 358454,369176

Assembly Instruction

MICHIGAN 茶几

產品編號 358454,369176

組裝說明書



MAX.LOADING: 10KG

最高承重量 10KG

Top Tips before you start !

1. Please check that all parts are present before you start the assembly of your furniture.
2. For ease and speed of assembly, we recommend that before you commence each step of the assembly, that you identify all the parts required for that step.
3. For larger items, please ensure that you have sufficient space and people (as indicated on page 1) to assemble your product safely.
4. We recommend that, where possible, all items are assembled near to the area in which they will be placed in use, to avoid moving the product unnecessarily once assembled.
5. For the protection of your furniture, we recommend that the product is placed on a protected surface during assembly to prevent any damage.
6. During assembly please take care not to over-tighten any fittings, as this may damage the product.
7. Always please the product on a flat, steady and stable surface.
8. This product is intended for indoor, household use only as it is non industrial product.

Care and Maintenance of your Furniture !

- Please periodically check all fittings and re-tighten as necessary.
- To clean your item, please use a damp cloth and wipe clean.

開始之前的重要提示！

1. 在開始組裝家具之前，請檢查所有零件是否齊全。
2. 為了便於組裝和加快組裝速度，我們建議您在開始進行組裝的每個步驟之前裝配，您將確定該步驟所需的所有零件。
3. 對於較大的物品，請確保您有足夠的空間和人（如上所示。第1頁）以安全地組裝產品。
4. 我們建議，在可能的情況下，將所有物品組裝在附近區域。它們將投入使用，以避免在組裝後不必要地移動產品。
5. 為了保護您的家具，我們建議您將產品放置在組裝時保護表面，以防止損壞。
6. 在組裝過程中，請注意不要過度擰緊任何卡口，因為這可能會損壞卡口，產品。
7. 始終將產品放置在平穩，穩定的表面上。
8. 本產品僅用於室內，家庭用途，因為它不是工業產品。

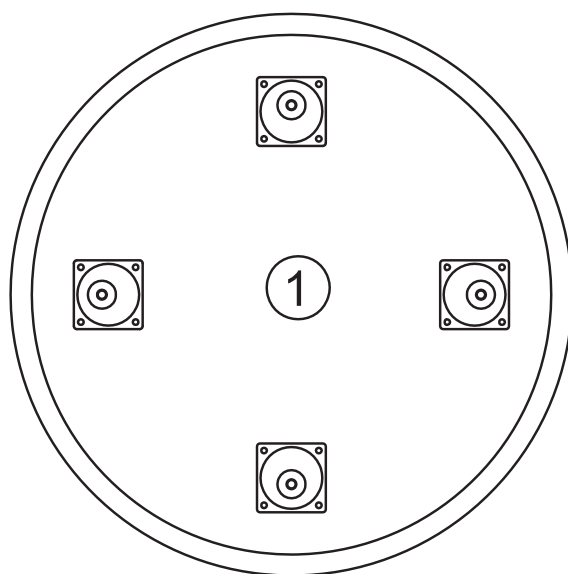
家具保養與維護

請定期檢查所有接頭並根據需要重新擰緊。

要清潔您的物品，請用濕布擦拭乾淨。

NO. 編號	PART LIST 組件	QTY 數量
(1)	Table Top 桌面 (ø40 x1.5cm)	1
(2)	Leg 枱腳 (ø1.6 x39.5cm)	4

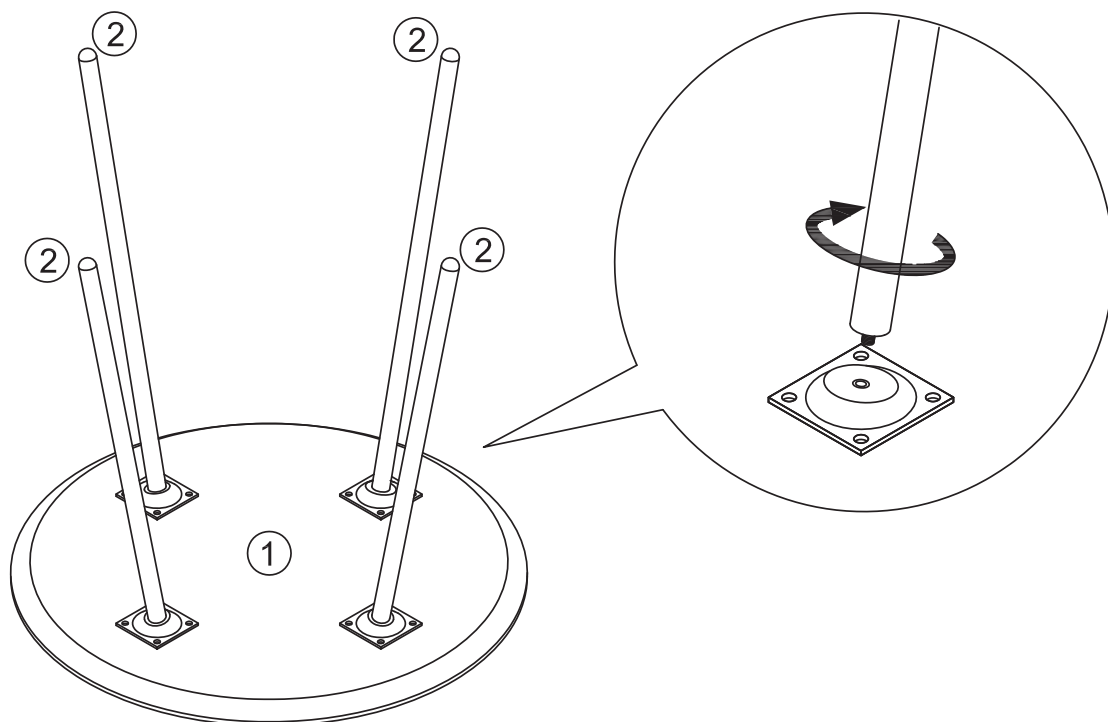
PART LIST 組件



② x4

STEP 1

步驟 1



STEP 2

步驟 2



產品由【置好價】出售

Manufactured for Spot On Dealz.

www.spotondealz.com.hk

MADE IN CHINA 中國製造

