

SL36 Mini Well Light

Product Features

- Miniature, patent-pending design
- Single source LED chip for greater lux control
- Solid brass construction and slim, compact design
- Pre-construction installation with 1.25" sleeved PVC pipe
- Can be installed with our 1.5" diameter extension riser for a raised mini well light
- Optional tops including dome, cup, square, two-hole, and surface mount
- Durable and sleek, designed specifically for hardscape projects



Specifications

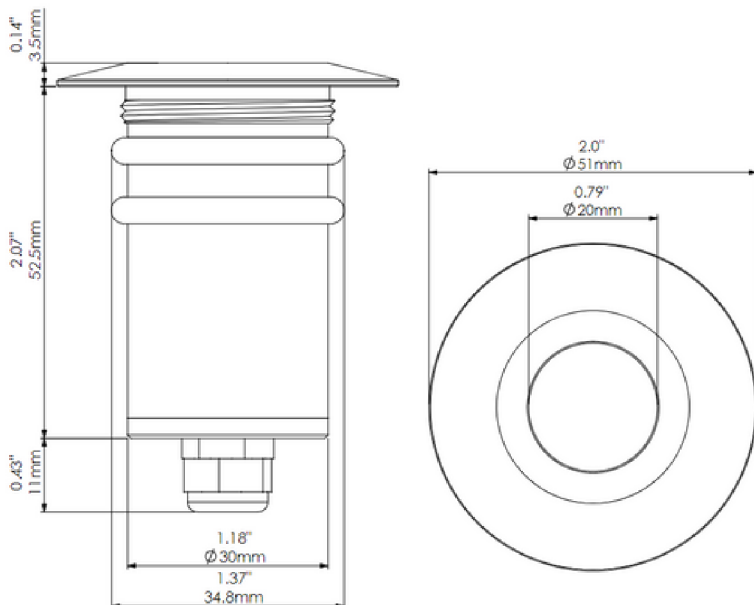
Rev. 04/2024

Luminaire Type: Integrated Low Voltage LED
Color Temperature: 2700K / 3000K
Material: Marine-Grade, Virgin Brass with a UV coating
Finish: Antique Bronze or Nickel
Wattage: 1.7W
Field Angle: 65°

Lumen Output: 125 lm
Operating Voltage: 9V - 15V AC
Light Source: CREE LED
Optics: 10°, 30° (standard), 45°, 60°, 80° (no optic)
Color Rendering Index: 92+
TM-30 Rf: 93
TM-30 Rg: 97

Wire Lead: 15' 18AWG
Mounting: Can be installed with our 1.5" diameter extension riser for a raised mini well light
Listing: ETL
Standard: UL 1838
Rating: IP65

Product Drawings



Driver at 15V Input

	Lumens	VA	Lm/W
Non-Adjustable	125 lm	2.55 VA	72.57