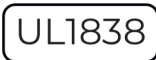


SL33 Mini Down Light

Product Features

- Miniature, patent-pending design
- Adjustable lumen settings with driver pins
- Glare guard shield with hex louver lens for optimal glare control
- Enhanced strength from through bolt in the knuckle
- Two hole mount with double locking mechanism to make sure it never shifts.
- Tree mount and stainless steel off-set bolts included
- Drill driver bit for hanger bolts available



Specifications

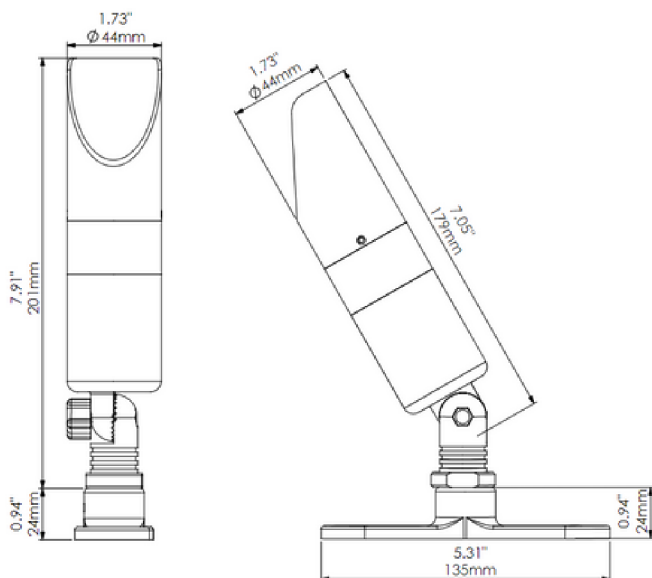
Rev. 04/2024

Luminaire Type: Dedicated Low Voltage LED
Color Temperature: 2700K / 3000K
Material: Marine-Grade, Virgin Brass with a UV coating
Finish: Antique Bronze
Wattage: 0W - 5.2W
Field Angle: 43°

Lumen Output: 0 lm - 210 lm
Operating Voltage: 9V - 15V AC
Light Source: CREE LED
Optics: 24°, 40° (standard), 60°, 80° (no optic)
Color Rendering Index: 96+
TM-30 Rf: 94
TM-30 Rg: 101

Wire Lead: 30' 18AWG
Lens: Clear glass
Mounting: Two hole tree bracket including hardware
Listing: ETL
Standard: UL 1838
Rating: IP65

Product Drawings



Adjustable Driver Settings at 15V Input

Settings	Lumens	VA	Lm/W
0 pins up (max)	210 lm	7.52 VA	40.19
1 pin up	160 lm	5.44 VA	43.57
2 pins up	105 lm	3.40 VA	45.48
3 pins up	48 lm	1.82 VA	43.12
4 pins up	20 lm	1.03 VA	34.04
5 pins up (min)	0 lm	0.0 VA	0.0

(Pins located on driver)