

SL31 Mini Up Light

Product Features

- Miniature, patented design
- Adjustable lumen output with driver pins
- Single source LED chip for greater lux control
- Enhanced strength from through bolt in the knuckle
- Comes standard with Hex lens to reduce glare
- Ideal for second story architectural applications



Specifications

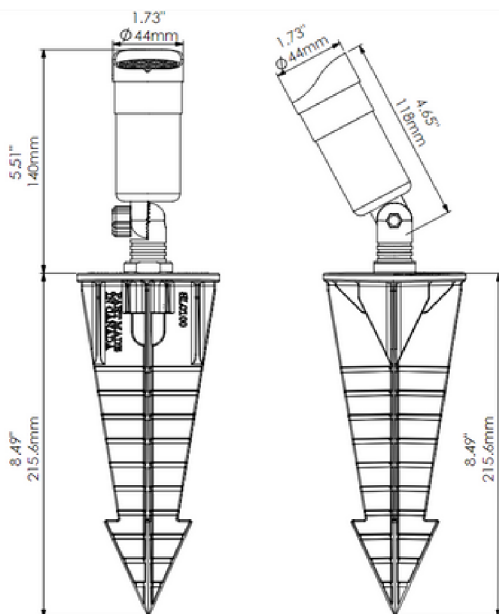
Rev. 04/2024

Luminaire Type: Dedicated Low Voltage LED
Color Temperature: 2700K / 3000K
Material: Marine-Grade Virgin Brass with a UV coating
Finish: Antique Bronze
Wattage: 0W - 5.2W
Field Angle: 60°

Lumen Output: 0 lm - 365 lm
Operating Voltage: 9V - 15V AC
Light Source: CREE LED
Optics: 24°, 40° (standard), 60°, 80° (no optic)
Color Rendering Index: 96+
TM-30 Rf: 94
TM-30 Rg: 101

Wire Lead: 15' 18AWG
Lens: Clear glass
Mounting: 9° ABS Plastic Stake (included)
Listing: ETL
Standard: UL 1838
Rating: IP65

Product Drawings



Adjustable Driver Settings at 15V Input

Settings	Lumens	VA	Lm/W
5 pins up (max)	365 lm	7.51 VA	70.27
4 pins up	280 lm	5.40 VA	75.21
3 pins up	180 lm	3.39 VA	78.89
2 pins up	85 lm	1.83 VA	75.34
1 pin up	35 lm	1.04 VA	58.92
0 pins up (min)	0 lm	0.0 VA	0.0

(Pins located on driver)