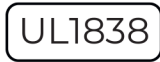


# SL31 Mini Up Light

## Product Features

- Miniature, patented design
- Adjustable lumen output with driver pins
- Single source LED chip for greater lux control
- Enhanced strength from through bolt in the knuckle
- Comes standard with Hex lens to reduce glare
- Ideal for second story architectural applications



## Specifications

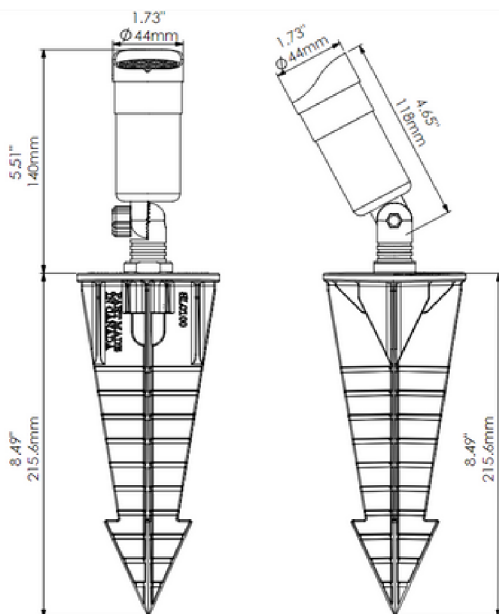
Rev. 04/2024

**Luminaire Type:** Dedicated Low Voltage LED  
**Color Temperature:** 2700K / 3000K  
**Material:** Marine-Grade Virgin Brass with a UV coating  
**Finish:** Antique Bronze  
**Wattage:** 0W - 5.2W  
**Field Angle:** 60°

**Lumen Output:** 0 lm - 365 lm  
**Operating Voltage:** 9V - 15V AC  
**Light Source:** CREE LED  
**Optics:** 24°, 40° (standard), 60°, 80° (no optic)  
**Color Rendering Index:** 96+  
**TM-30 Rf:** 94  
**TM-30 Rg:** 101

**Wire Lead:** 15' 18AWG  
**Lens:** Clear glass  
**Mounting:** 9° ABS Plastic Stake (included)  
**Listing:** ETL  
**Standard:** UL 1838  
**Rating:** IP65

## Product Drawings



## Adjustable Driver Settings at 15V Input

Settings	Lumens	VA	Lm/W
0 pins up (max)	365 lm	7.51 VA	70.27
1 pin up	280 lm	5.40 VA	75.21
2 pins up	180 lm	3.39 VA	78.89
3 pins up	85 lm	1.83 VA	75.34
4 pins up	35 lm	1.04 VA	58.92
5 pins up (min)	0 lm	0.0 VA	0.0

(Pins located on driver)