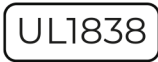


SL23 Down Light

Product Features

- 50' lead wire
- Adjustable lumen output
- Glare guard shield with hex louver lens for optimal glare control
- Enhanced strength from through bolt in the knuckle
- Two hole mount with double locking mechanism to ensure no shifting.
- Tree mount and stainless steel off-set hanger bolts included
- Drill driver bit for hanger bolts available



Specifications

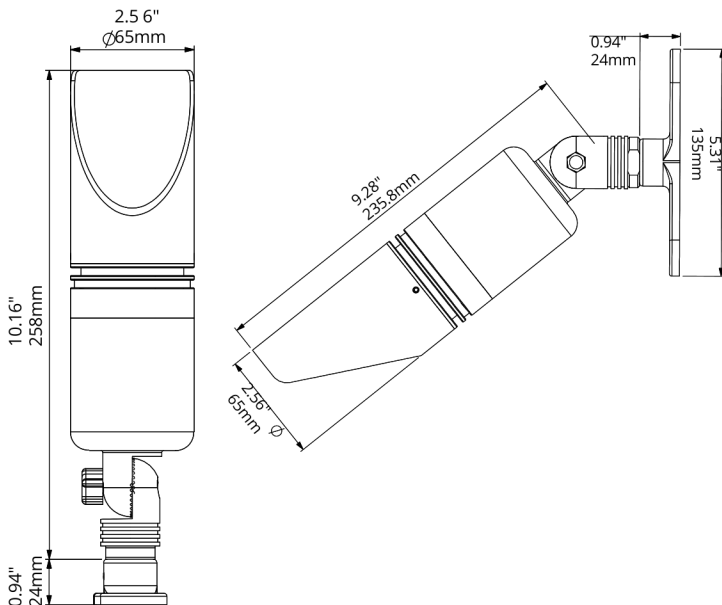
Rev. 04/2024

Luminaire Type: Dedicated Low Voltage LED
Color Temperature: 2700K / 3000K / 5000K
Material: Marine-Grade, Virgin Brass with a UV coating
Finish: Antique Bronze
Wattage: 2.7W - 10.2W
Field Angle: 44°

Lumen Output: 155 lm - 530 lm (with shroud)
Operating Voltage: 9V - 15V AC
Light Source: CREE LED
Optics: 18°, 40° (standard), 60°, 80° (no optic)
Color Rendering Index: 92+
TM-30 Rf: 91
TM-30 Rg: 97

Wire Lead: 50' 18AWG
Mounting: Two hole tree bracket including hardware
Lens: Hex Lens
Listing: ETL
Standard: UL 1838
Rating: IP65

Product Drawings



Adjustable Driver Settings at 15V Input

Settings	Lumens	VA	Lm/W
0 pins up (max)	530 lm	13.58 VA	51.77
1 pin up	440 lm	11.13 VA	56.62
2 pins up	360 lm	9.29 VA	57.23
3 pins up	300 lm	7.64 VA	58.64
4 pins up	225 lm	5.72 VA	58.31
5 pins up (min)	155 lm	4.00 VA	58.97

(Pins located on driver)