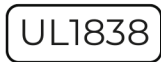


SL21 Up Light

Product Features

- Heavy, all brass, solid construction with 9-inch brass stake included
- Adjustable lumen output
- Sleek, patented design
- Single source LED chip for greater lux control
- Enhanced strength from through bolt in the knuckle
- Comes standard with Hex lens to reduce glare



Specifications

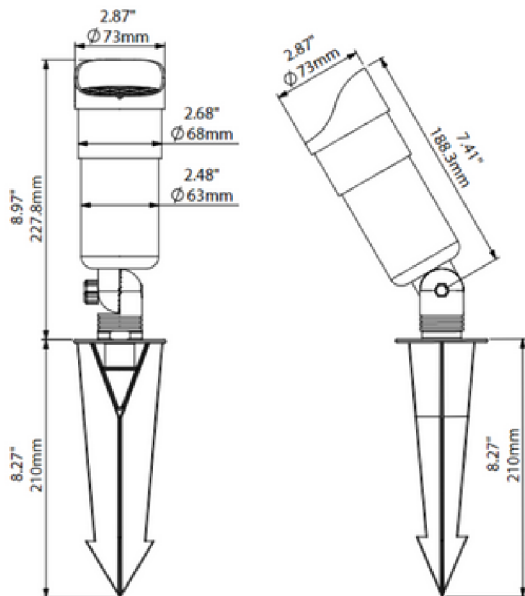
Rev. 04/2024

Luminaire Type: Dedicated Low Voltage LED
Color Temperature: 2700K / 3000K / 5000K
Material: Marine-Grade, Virgin Brass with a UV coating
Finish: Antique Bronze
Wattage: 2.6W - 9.6W
Field Angle: 66°

Lumen Output: 270 lm - 900 lm
Operating Voltage: 9V - 15V AC
Light Source: CREE LED
Optics: 25°, 40° (standard), 50°, 60°, 80° (no optic)
Color Rendering Index: 91+
TM-30 Rf: 90
TM-30 Rg: 97

Wire Lead: 10' 18AWG
Mounting: 9-inch Brass Stake
Lens: Hex Lens
Listing: ETL
Standard: UL 1838
Rating: IP65

Product Drawings



Adjustable Driver Settings at 15V Input

Settings	Lumens	VA	Lm/W
0 pins up (max)	900 lm	13.59 VA	93.27
1 pin up	750 lm	11.00 VA	95.90
2 pins up	625 lm	9.17 VA	98.85
3 pins up	515 lm	7.49 VA	100.79
4 pins up	390 lm	5.72 VA	102.51
5 pins up (min)	270 lm	3.88 VA	102.75

(Pins located on driver)