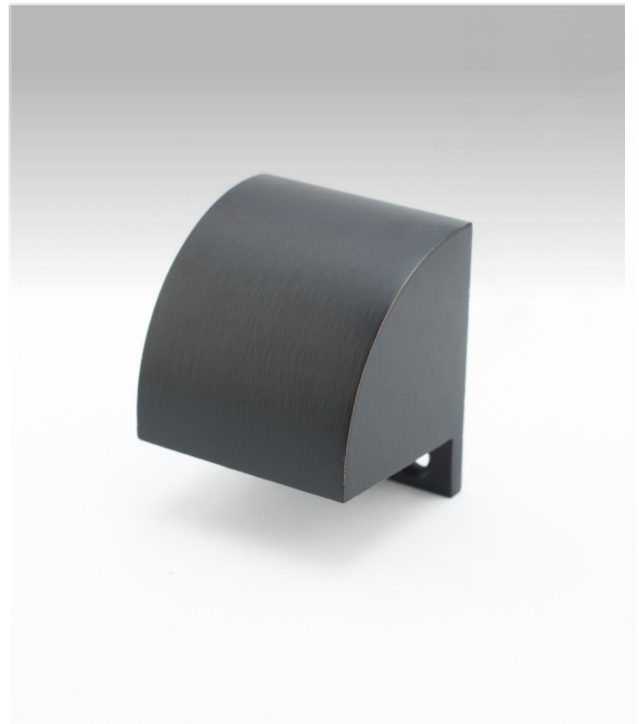


# SL19 Niche Light

## Product Features

- Patent-pending design
- 15' lead wire
- Ideal for railings, decks, under benches, fence posts, and more
- Made with Marine-Grade, Virgin Brass
- Comes with screws for mounting
- Impressive field angle of 140°
- Ultra-durable, frosted glass lens to reduce glare



## Specifications

**Luminaire Type:** Integrated Low Voltage LED

**Color Temperature:** 2700K / 3000K

**Material:** Marine-Grade, Virgin Brass with a UV coating

**Finish:** Antique Bronze

**Wattage:** 0.86W

**Field Angle:** 140°

**Lumen Output:** 50 lm

**Operating Voltage:** 9V - 15V AC

**Light Source:** CREE LED

**Color Rendering Index:** 93+

**TM-30 Rf:** 92

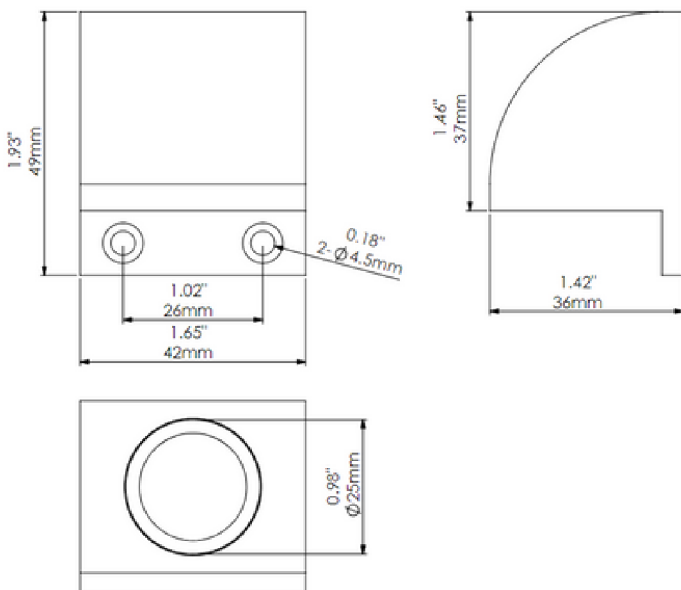
**TM-30 Rg:** 97

**Wire Lead:** 15' 18AWG

**Mounting:** Comes with 2 self-tapping machine screws and 2 wood screws

**Lens:** Frosted Lens

## Product Drawings



## Driver at 15V Input

	Lumens	VA	Lm/W
Non-Adjustable	50 lm	1.41 VA	41.98