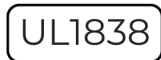


SL16 Well Light

Product Features

- Mid-sized well light
- Adjustable lumen settings
- Single LED chip for greater lux control
- Four interchangeable optic options
- Ultra-durable, frosted glass lens
- Built-in, internal hex lens
- Pre-construction installation with 2" sleeved PVC pipe



Specifications

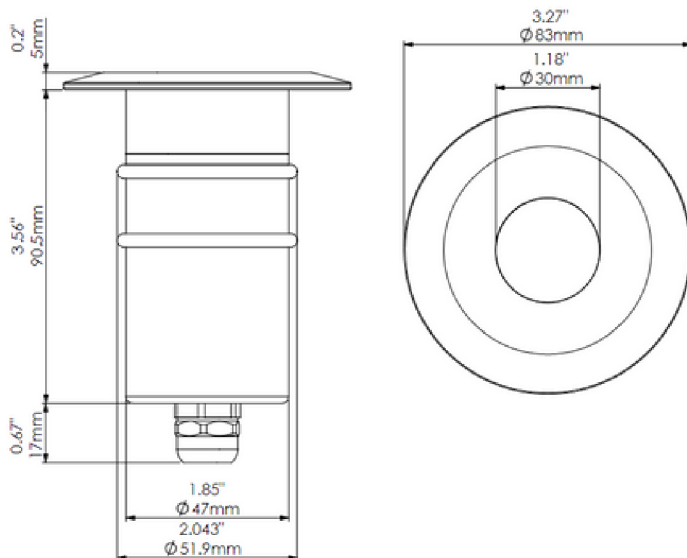
Rev. 04/2024

Luminaire Type: Dedicated Low Voltage LED
Color Temperature: 2700K / 3000K
Material: Marine-Grade, Virgin Brass
Finish: Antique Bronze with UV Coating
Wattage: 0.8W - 7.5W
Field Angle: 78°

Lumen Output: 37lm-320lm
Operating Voltage: 9V - 15V AC
Light Source: CREE LED
Optics: 24°, 40° (standard), 60°, 80° (no optic)
Color Rendering Index: 97+
TM-30 Rf: 94
TM-30 Rg: 99

Wire Lead: 15' 18AWG
Lens: Frosted glass
Accessories: Comes standard with Flange Top. Cup Top and Grass Ring sold separately.
Listing: ETL
Standard: UL 1838
Rating: IP67

Product Drawings



Adjustable Driver Settings at 15V Input

Settings	Lumens	VA	Lm/W
0 pins up (max)	320 lm	10.49 VA	42.89
1 pin up	277 lm	8.00 VA	49.77
2 pins up	90 lm	3.52 VA	43.43
3 pins up	37 lm	1.32 VA	48.74

(Pins located on driver)