

SL16 Well Light

Product Features

- Mid-sized well light
- Adjustable lumen settings on driver
- Single LED chip for greater lux control
- Four interchangeable optic options
- Ultra-durable, frosted glass lens
- Built-in, internal hex lens
- Pre-construction installation with 2" sleeved PVC pipe



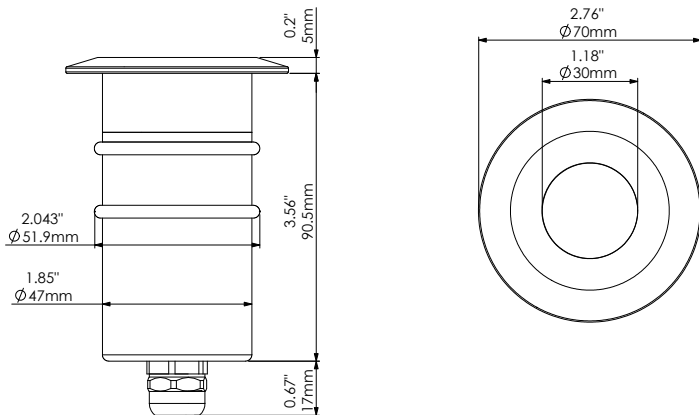
Specifications

Fixture Type: Dedicated Low Voltage LED
Color Temperature: 2700K / 3000K
Material: Marine-Grade, Virgin Brass
Finish: Antique Bronze with UV Coating
Wattage: 0.7W - 8W

Lumen Output: 50lm-400lm
Operating Voltage: 9V - 15V AC
Light Source: CREE LED
Optics: 24°, 40° (standard), 60°, 80° (no optic)

Color Rendering Index: 97+
Lead Wire: 15' 18AWG
Accessories: Comes standard with Flange Top, Cup Top and Grass Ring sold separately.
Rating: IP67

Product Drawings



Adjustable Lumen Settings

Pins located on driver

No pins up: 400 lm (max)	2 Pins Up: 150 lm
1 Pin Up: 300 lm	3 Pins Up: 50 lm (min)