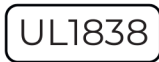


# SL13 Dock Light

## Product Features

- Marker light for docks, decks, boardwalks, hardscapes, and driveways
- Surface mount luminaire
- Dome-shaped, patent-pending design
- Solid construction, extremely durable
- 360° coverage with 3 beams
- Single source LED chip for greater lux control



## Specifications

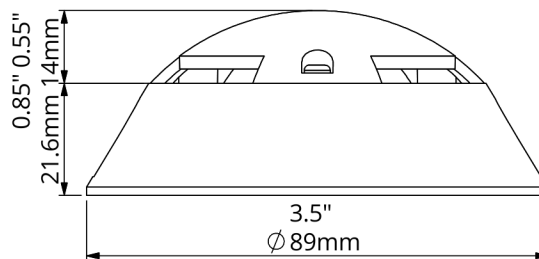
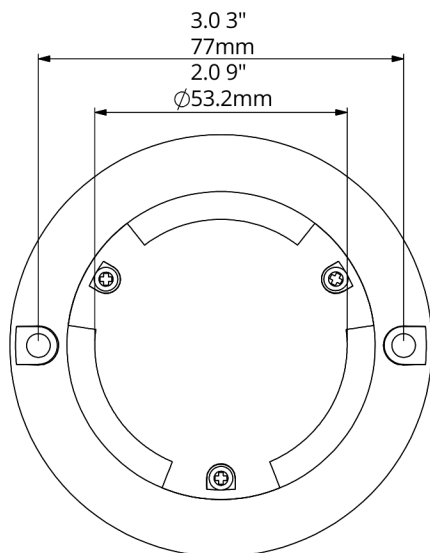
Rev. 04/2024

**Luminaire Type:** Integrated Low Voltage LED  
**Color Temperature:** 2700K / 3000K  
**Material:** Marine-Grade, Virgin Brass with a UV coating  
**Finish:** Antique Bronze  
**Wattage:** 4W  
**Field Angle:** 50°

**Lumen Output:** 23 lm  
**Operating Voltage:** 9V - 15V AC  
**Light Source:** CREE LED  
**Color Rendering Index:** 96+  
**TM-30 Rf:** 95  
**TM-30 Rg:** 101

**Wire Lead:** 10' 18AWG  
**Mounting:** 2 screws for surface installation included  
**Listing:** ETL  
**Standard:** UL 1838  
**Rating:** IP65

## Product Drawings



## Driver at 15V Input

	Lumens	VA	Lm/W
Non-Adjustable	23 lm	5.88 VA	5.52