

SL09 Underwater Light

Product Features

- Completely sealed luminaire
- Removable base with stabilizing arms
- Single source LED chip for greater lux control
- IP68 rated
- Corrosion and rust resistant
- Waterproof 18' wire lead



Specifications

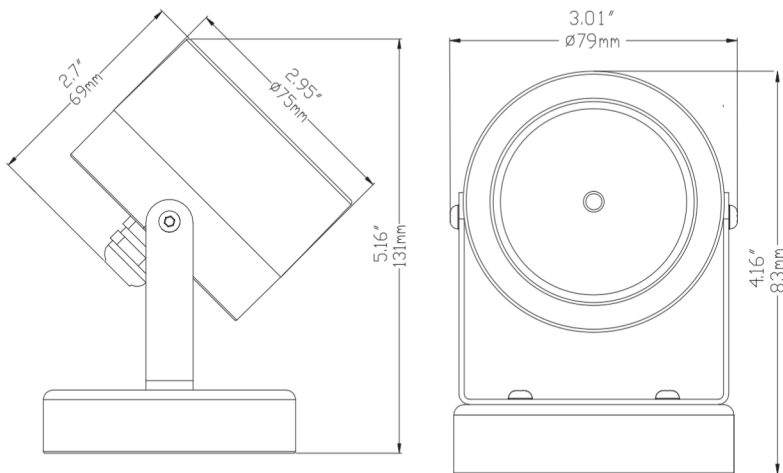
Rev. 04/2024

Luminaire Type: Integrated Low Voltage LED
Color Temperature: 3000K / 2700k
Material: 316 Stainless Steel & Encased Premium-Grade Acrylic
Wattage: 4.3W
Field Angle: 136°

Lumen Output: 355 lm
Operating Voltage: 9V - 15V AC
Light Source: CREE LED
Color Rendering Index: 97+
TM-30 Rf: 95
TM-30 Rg: 102

Lead Wire: Waterproof 18' 18AWG
Mounting: Removable, 316 stainless steel base
Lens: Crystal Clear Lens
Listing: ETL
Standard: UL 676
Rating: IP68

Product Drawings



Driver at 15V Input

	Lumens	VA	Lm/W
Non-Adjustable	355 lm	6.23 VA	83.58