

# SL07P Pinnacle Path Light

## Product Features

- Modern polychromatic design with raw brass embellishment on tip of fixture, designed to naturally patina over time
- Single source LED chip for greater lux control
- Provides 16' spread of light
- Design complies with IDA guidelines for dark sky preservation
- All components are threaded together, never tack welded, for additional strength
- Hefty 1.5" diameter stem to prevent leaning after installation



## Specifications

**Fixture Type:** Dedicated Low Voltage LED

**Color Temperature:** 2700K / 3000K

**Material:** Marine-Grade, Virgin Brass with a UV Coating

**Finish:** Antique Bronze with Raw Brass embellishment

**Wattage:** 5W

**Lumen Output:** 210 lm

**Operating Voltage:** 9V - 15V AC

**Light Source:** CREE LED

**Lens:** Frosted Diffuser Lens

**Color Rendering Index:** 92+

**TM-30 Rf:** 85.6

**TM-30 Rg:** 99.1

**Wire Lead:** 10' 18AWG

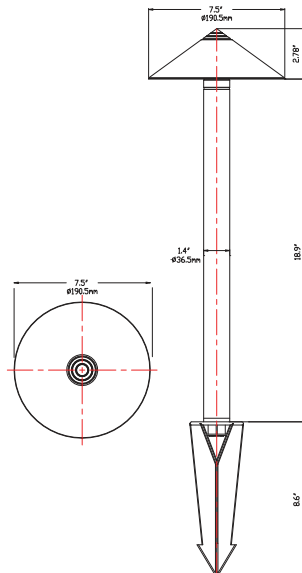
**Mounting:** 9" ABS Plastic Stake (included)

**Listing:** ETL

**Standard:** UL 1838

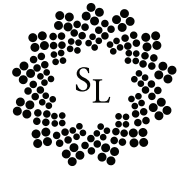
**Rating:** IP65

## Product Drawings



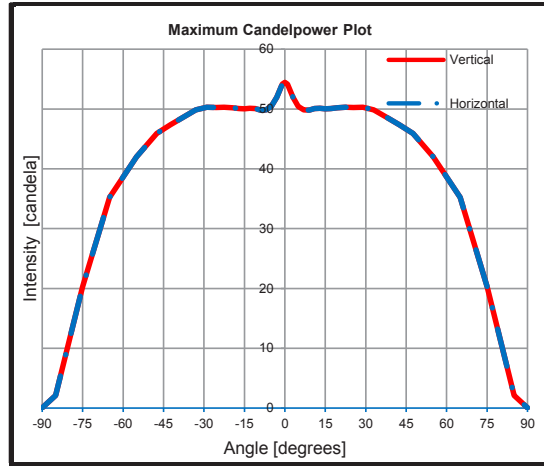


# Sterling Lighting LLC SL07P Pinnacle Light



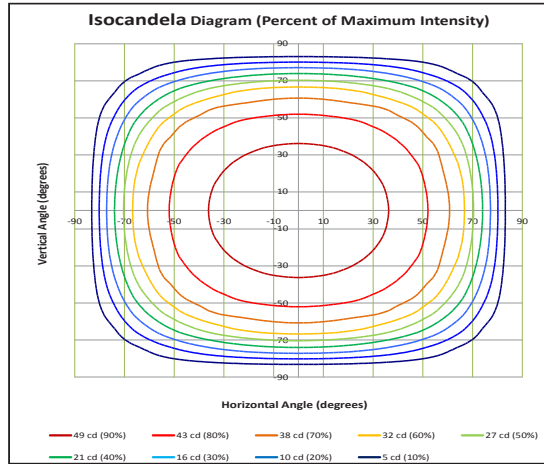
| Electrical Test Conditions |           |          |         |              |           |             |
|----------------------------|-----------|----------|---------|--------------|-----------|-------------|
| Temp                       | Voltage   | Current  | Power   | Power Factor | Frequency | Current THD |
| 24.7 °C                    | 14.00 VAC | 0.5923 A | 5.077 W | 0.612        | 60 Hz     | 125 %       |

| Summary of Results        |           |
|---------------------------|-----------|
| <b>Integrating Sphere</b> |           |
| Total Lumen Output        | 203.8 lm  |
| Luminaire Efficacy        | 40.2 lm/w |
| CCT                       | 3077 K    |
| CRI                       | 86.6      |
| Duv                       | -0.0005   |
| TM-30 Rf                  | 85.6      |
| TM-30 Rg                  | 99.1      |

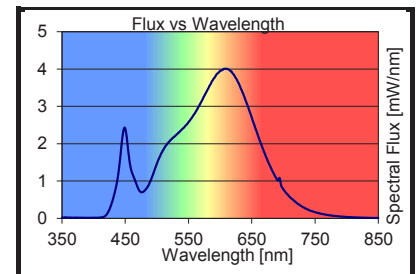
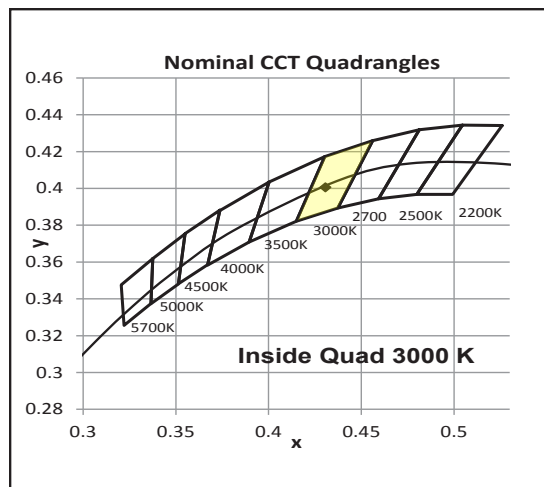


| Intensity (Candelpower) Summary |          |            |
|---------------------------------|----------|------------|
| Angle                           | Vertical | Horizontal |
| -85                             | 2        | 2          |
| -75                             | 20       | 20         |
| -65                             | 35       | 35         |
| -55                             | 42       | 42         |
| -48                             | 46       | 46         |
| -43                             | 47       | 47         |
| -38                             | 49       | 49         |
| -33                             | 50       | 50         |
| -29                             | 50       | 50         |
| -26                             | 50       | 50         |
| -23                             | 50       | 50         |
| -20                             | 50       | 50         |
| -17                             | 50       | 50         |
| -15                             | 50       | 50         |
| -13                             | 50       | 50         |
| -11                             | 50       | 50         |
| -9                              | 50       | 50         |
| -7                              | 50       | 50         |
| -5                              | 50       | 50         |
| -3                              | 52       | 52         |
| 0                               | 54       | 54         |
| 3                               | 52       | 52         |
| 5                               | 50       | 50         |
| 7                               | 50       | 50         |
| 9                               | 50       | 50         |
| 11                              | 50       | 50         |
| 13                              | 50       | 50         |
| 15                              | 50       | 50         |
| 17                              | 50       | 50         |
| 20                              | 50       | 50         |
| 23                              | 50       | 50         |
| 26                              | 50       | 50         |
| 29                              | 50       | 50         |
| 33                              | 50       | 50         |
| 38                              | 49       | 49         |
| 43                              | 47       | 47         |
| 48                              | 46       | 46         |
| 55                              | 42       | 42         |
| 65                              | 35       | 35         |
| 75                              | 20       | 20         |
| 85                              | 2        | 2          |

| Goniophotometer    |                   |
|--------------------|-------------------|
| Maximum Candela    | 54 cd             |
| Location of Max    | 0 H 0 V           |
| Total Lumen Output | 206 lm            |
| Field Lumens       | 205 lm            |
| Beam Lumens        | 186 lm            |
| Spill Light Lumens | 1 lm              |
| Field Angle        | 166.3 H X 166.3 V |
| Beam Angle         | 140.7 H X 140.7 V |
| IESNA Type         | 7 H X 7 V         |



| Color Rendering Index Details |      |
|-------------------------------|------|
| Ra (CRI)                      | 86.6 |
| R1                            | 85.6 |
| R2                            | 92.0 |
| R3                            | 97.1 |
| R4                            | 86.4 |
| R5                            | 85.8 |
| R6                            | 90.4 |
| R7                            | 86.8 |
| R8                            | 68.4 |
| R9                            | 26.9 |
| R10                           | 81.7 |
| R11                           | 87.1 |
| R12                           | 76.0 |
| R13                           | 87.1 |
| R14                           | 98.4 |



| Chromaticity Coordinates |         |
|--------------------------|---------|
| Chromaticity (x)         | 0.4307  |
| Chromaticity (y)         | 0.4006  |
| Chromaticity (u)         | 0.2480  |
| Chromaticity (v)         | 0.3461  |
| Chromaticity (u')        | 0.2480  |
| Chromaticity (v')        | 0.5191  |
| Duv                      | -0.0005 |

Testing was performed in accordance with LM-79-08  
The results contained in this summary pertain only to report #12305664.04

