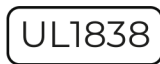


SL06 Well Light

Product Features

- Pivoting LED to easily adjust angle of light
- Ultra-durable borosilicate glass lens
- Four interchangeable optics
- Adjustable lumen output
- Sleek, patented design
- Pre-construction installation with 4" sleeved PVC pipe



Specifications

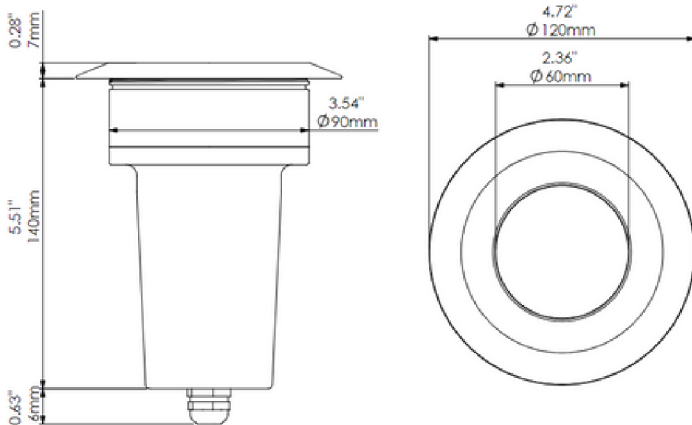
Rev. 04/2024

Luminaire Type: Dedicated Low Voltage LED
Color Temperature: 2700K / 3000K / 5000K
Material: Marine-Grade, Virgin Brass with a UV Coating
Finish: Antique Bronze
Wattage: 2.6W - 11.3W
Field Angle: 70°

Lumen Output: 230 lm - 1100 lm
Operating Voltage: 9V - 15V AC
Light Source: CREE LED
Optics: 25°, 40° (standard), 50°, 60°, 80° (no optic)
Color Rendering Index: 91+
TM-30 Rf: 91
TM-30 Rg: 97

Wire Lead: 15' 18AWG
Accessories: Threaded tops (Flange Top, Grill Top, Cup Top, and Grass Ring), Hex Louver Lens, all sold separately
Listing: ETL
Standard: UL 1838
Rating: IP67

Product Drawings



Adjustable Driver Settings at 15V Input

Settings	Lumens	VA	Lm/W
0 pins up (max)	1100 lm	15.30 VA	97.55
1 pin up	790 lm	11.12 VA	100.60
2 pins up	660 lm	9.14 VA	104.25
3 pins up	550 lm	7.48 VA	106.56
4 pins up	420 lm	5.58 VA	109.12
5 pins up (min)	230 lm	3.89 VA	109.87

(Pins located on driver)