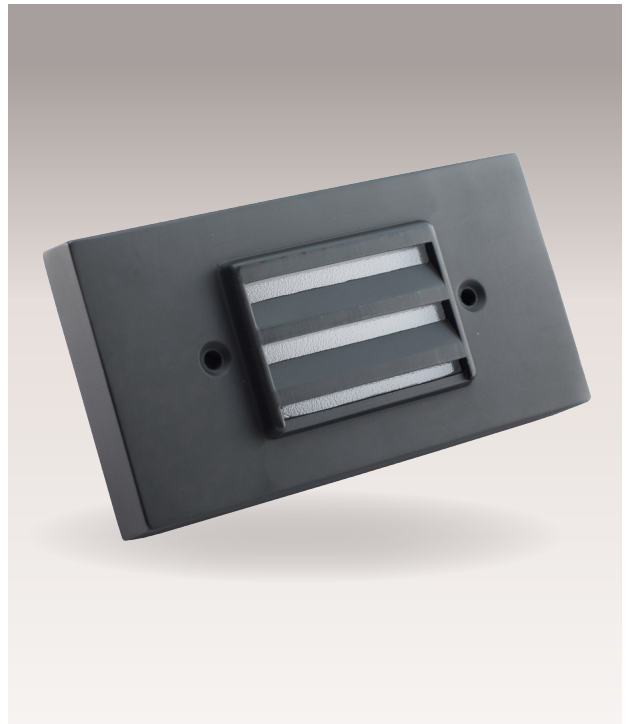


SL05 Step Light

Product Features

- Fully integrated, created with high quality LEDs and louvers to reduce glare
- Adjustable lumen output up to 50 lumens with external dial
- Switch from 2700K to 3000K in color temperature
- Sleek, patented design
- Flush mount for surface installation. Includes mounting screws set to fit into standard junction box
- Includes 15' lead wire



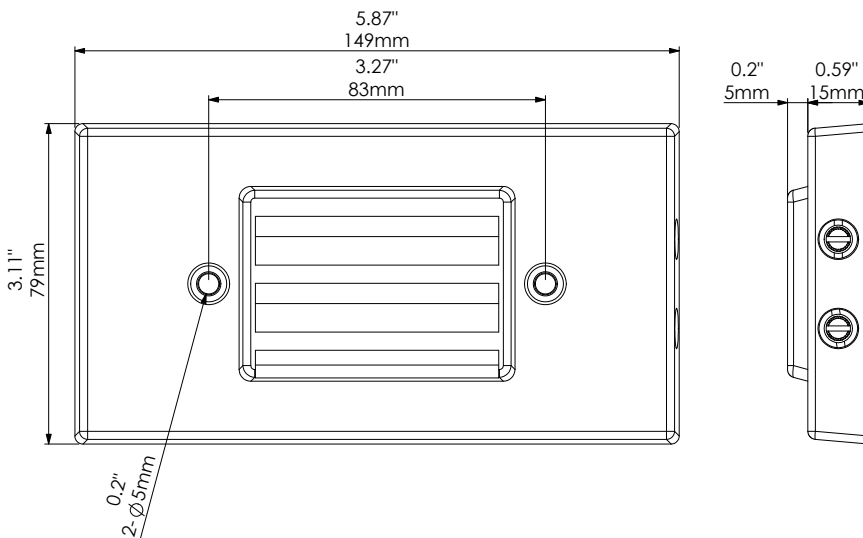
Specifications

Fixture Type: Integrated Low Voltage LED
Color Temperature Settings: 2700K / 3000K
Material: Marine-Grade, Virgin Brass with a UV Coating
Finish: Antique Bronze

Wattage: 0.5W - 3.5W
Lumen Output: 5 lm - 50 lm
Operating Voltage: 9V - 15V AC
Light Source: Seoul LED chips
Lens: Frosted Lens
Color Rendering Index: 97+

Lead Wire: 15' 18AWG
Mounting: Comes with stainless steel set screws
Listing: ETL
Standard: UL 2108
Rating: IP65

Product Drawings



Adjustable Lumen Settings

- Setting 1: 5 lm (min)
- Setting 2: 20 lm
- Setting 3: 35 lm
- Setting 4: 50 lm (max)