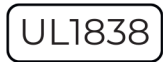


SL04 Mini Flood Light

Product Features

- Adjustable lumen output with 5 settings
- Compact size and solid brass construction
- Linear, wide-spread light with 110° beam angle
- Patented, sleek design
- Sturdy composition including heavy-duty knuckle with through bolt
- High quality CREE LED chips



Specifications

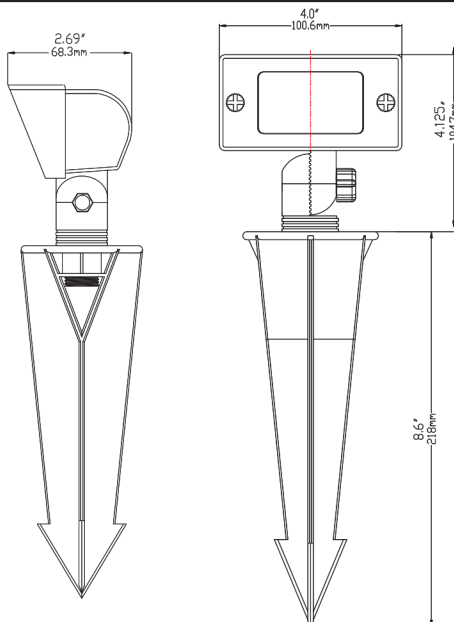
Rev. 04/2024

Luminaire Type: Dedicated Low Voltage LED
Color Temperature: 2700K / 3000K / 5000K
Material: Marine-Grade, Virgin Brass with a UV Coating
Finish: Antique Bronze or Raw Brass
Wattage: 1.6W (min) - 6.1W (max)
Field Angle: 128.4°

Lumen Output: 125 lm - 410 lm
Operating Voltage: 9V - 15V AC
Light Source: CREE LEDs
Color Rendering Index: 92+
TM-30 Rf: 91
TM-30 Rg: 99

Wire Lead: 10' 18AWG
Mounting: 9" ABS Plastic Stake (included)
Lens: Clear
Accessories: Frosted lens, Hex Lens (sold separately)
Listing: ETL
Standard: UL 1838
Rating: IP65

Product Drawings



Adjustable Driver Settings at 15V Input

Settings	Lumens	VA	Lm/W
0 pins up (max)	410 lm	8.68 VA	67.37
1 pin up	330 lm	6.42 VA	73.58
2 pins up	260 lm	4.84 VA	77.38
3 pins up	190 lm	3.59 VA	80.01
4 pins up	125 lm	2.46 VA	79.16
5 pins up (min)	125 lm	2.46 VA	79.16

(Pins located on driver)