

# SL04 Mini Flood Light

## Product Features

- Adjustable lumen output with 5 settings
- Compact size and solid brass construction
- Linear, wide-spread light with 110° beam angle
- Patented, sleek design
- Sturdy composition including heavy-duty knuckle with through bolt
- High quality CREE LED chips



## Specifications

**Fixture Type:** Dedicated Low Voltage LED

**Color Temperature:** 2700K / 3000K / 5000K

**Material:** Marine-Grade, Virgin Brass with a UV Coating

**Finish:** Antique Bronze or Raw Brass

**Wattage:** 1.5W (min) - 6.7W (max)

**Lumen Output:** 100 lm - 430 lm

**Operating Voltage:** 9V - 15V AC

**Light Source:** CREE LEDs

**Beam Angle:** 110.2H x 78.6V

**Field Angle:** 140.5H x 109.8V

**Lens:** Clear or Frosted

**Color Rendering Index:** 92+

**TM-30 Rf:** 90.5

**TM-30 Rg:** 100.8

**Lead Wire:** 10' 18AWG

**Mounting:** 9" ABS Plastic Stake (included)

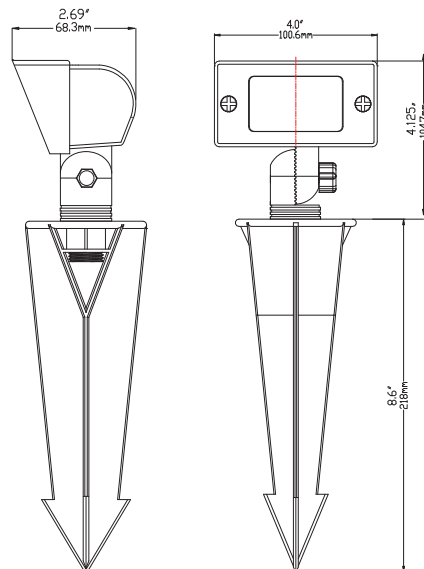
**Accessories:** Hex Lens sold separately

**Listing:** ETL

**Standard:** UL 1838

**Rating:** IP65

## Product Drawings

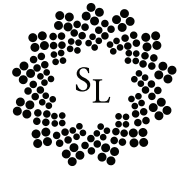


## Adjustable Lumen Settings

No pins up: 430 lm (max)	3 pins up: 220 lm
1 pin up: 350 lm	4 or 5 pins up: 100 lm (min)
2 pins up: 290 lm	(Pins located on driver)



# Sterling Lighting LLC SL04 Mini Flood Light



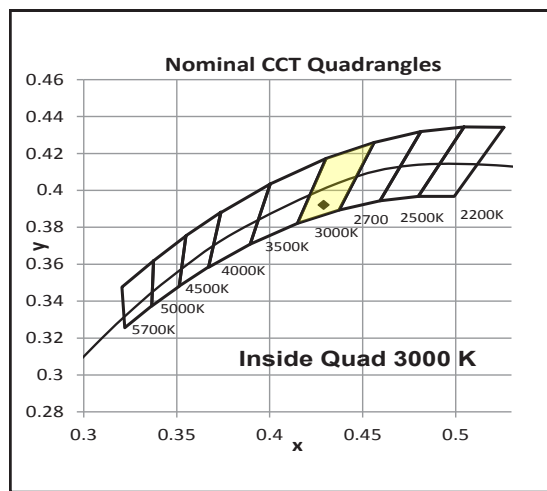
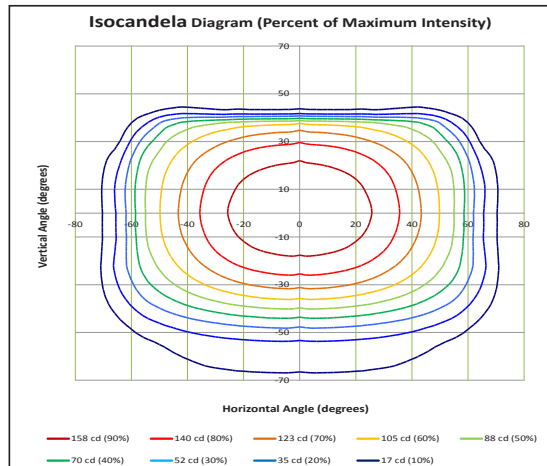
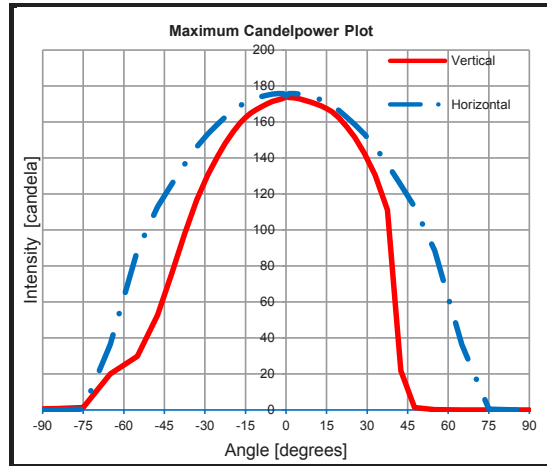
Electrical Test Conditions						
Temp	Voltage	Current	Power	Power Factor	Frequency	Current THD
24.7 °C	14.00 VAC	0.8067 A	6.873 W	0.609	60 Hz	124 %

Summary of Results	
<b>Integrating Sphere</b>	
Total Lumen Output	345.9 lm
Luminaire Efficacy	50.4 lm/w
CCT	3035 K
CRI	92.8
Duv	-0.0038
TM-30 Rf	90.5
TM-30 Rg	100.8

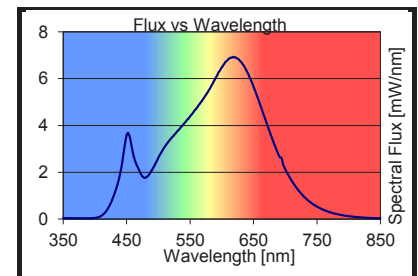
Goniophotometer	
Maximum Candela	176 cd
Location of Max	-1 H 0 V
Total Lumen Output	347 lm
Field Lumens	343 lm
Beam Lumens	284 lm
Spill Light Lumens	4 lm
Field Angle	140.5 H X 109.8 V
Beam Angle	110.2 H X 78.6 V
IESNA Type	7 H X 6 V

Color Rendering Index Details	
Ra (CRI)	92.8
R1	93.5
R2	97.2
R3	97.8
R4	92.4
R5	93.7
R6	95.9
R7	90.5
R8	81.1
R9	59.2
R10	92.8
R11	93.1
R12	87.5
R13	94.7
R14	98.9

Chromaticity Coordinates	
Chromaticity (x)	0.4290
Chromaticity (y)	0.3921
Chromaticity (u)	0.2506
Chromaticity (v)	0.3436
Chromaticity (u')	0.2506
Chromaticity (v')	0.5154
Duv	-0.0038



Intensity (Candlepower) Summary		
Angle	Vertical	Horizontal
-85	1	0
-75	1	1
-65	20	36
-55	30	89
-48	53	113
-43	75	125
-38	98	137
-33	117	146
-29	131	153
-26	141	159
-23	148	163
-20	155	166
-17	159	169
-15	163	171
-13	165	172
-11	167	173
-9	169	174
-7	170	175
-5	171	176
-3	172	176
0	175	175
3	173	176
5	173	176
7	172	175
9	171	174
11	170	173
13	169	172
15	167	171
17	166	169
20	162	166
23	157	163
26	151	159
29	143	153
33	131	146
38	111	137
43	22	125
48	1	113
55	0	89
65	0	36
75	0	1
85	0	0



Testing was performed in accordance with LM-79-08  
The results contained in this summary pertain only to report #12305664.03

