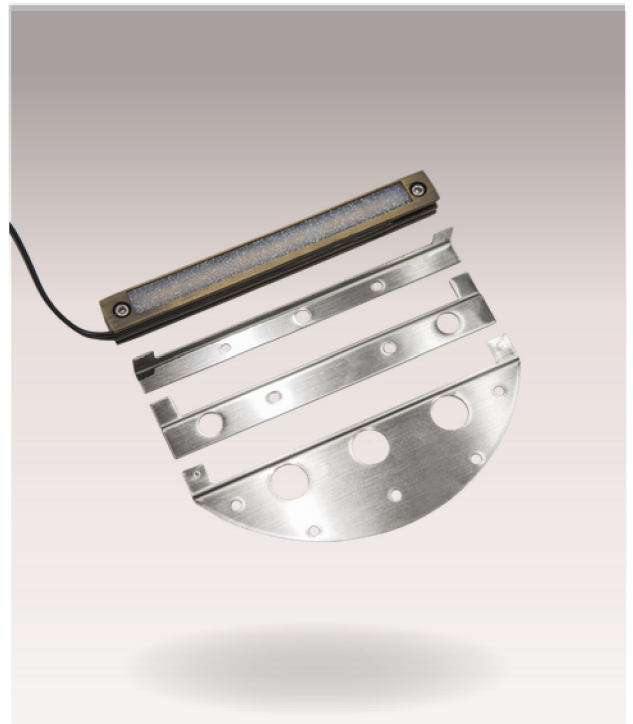
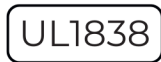


# SL02 In Line Light

## Product Features

- Compact size that disappears into hardscapes
- Solid brass construction and water tested
- Recessed LEDs with frosted lens for even light distribution and glare reduction
- Hidden bracket built inside the fixture for best look in exposed settings such as stacked stone walls
- 316 Stainless Steel mounting brackets for new construction, post construction, and deck mounting
- Wire groove holds a bonus 3.5" hidden wire for ease in serviceability



## Specifications

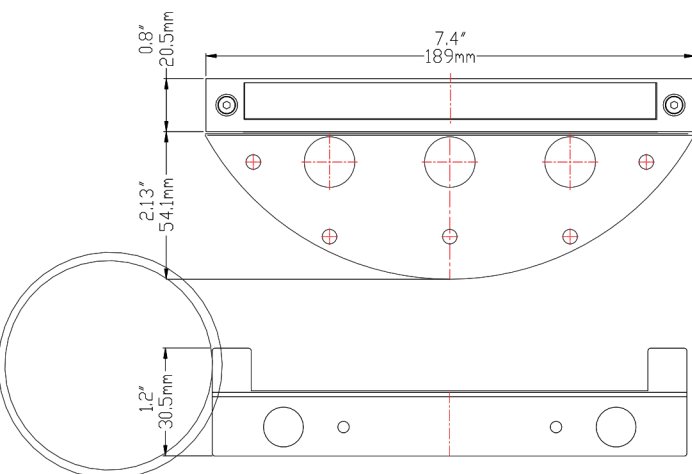
Rev. 04/2024

**Luminaire Type:** Integrated Low Voltage LED  
**Color Temperature:** 2700K / 3000K  
**Material:** Marine-Grade, Virgin Brass with a UV Coating and 316 Stainless Steel  
**Finish:** Antique Bronze  
**Wattage:** 1.1W  
**Field Angle:** 160°

**Lumen Output:** 47 lm  
**Operating Voltage:** 9V - 15V AC  
**Light Source:** Seoul LEDs  
**Color Rendering Index:** 92+  
**TM-30 Rf:** 91  
**TM-30 Rg:** 100

**Wire Lead:** 15' 18AWG  
**Mounting:** Post Construction, Existing Construction, and Deck Mounting Brackets (all 3 included)  
**Lens:** Frosted Lens  
**Listing:** ETL  
**Standard:** UL 1838  
**Rating:** IP67

## Product Drawings



## Driver at 15V Input

	Lumens	VA	Lm/W
Non-Adjustable	47 lm	1.78 VA	41.02

