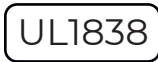


# SL01 Up Light

## Product Features

- Six lumen settings
- Single source LED chip for greater lux control
- Removable, drop-in optics
- Patented, sleek design
- Enhanced strength from through bolt in the knuckle
- Plugs to prevent insect and moisture penetration



## Specifications

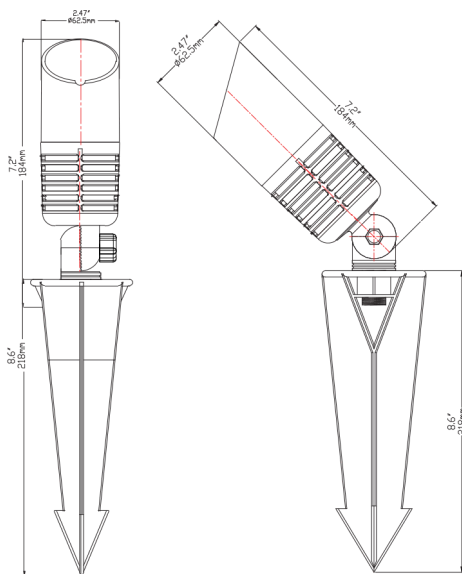
Rev. 04/2024

**Luminaire Type:** Dedicated Low Voltage LED  
**Color Temperature:** 2700K / 3000K / 5000K  
**Material:** Marine-Grade, Virgin Brass with a UV Coating  
**Finish:** Antique Bronze or Raw Brass  
**Wattage:** 2.9W (min) - 11.3W (max)  
**Field Angle:** 56°

**Lumen Output:** 245 lm - 760 lm  
**Operating Voltage:** 9V - 15V AC  
**Light Source:** CREE LED  
**Optics:** 11°, 25°, 40° (standard), 60°, and 80° (no optic)  
**Color Rendering Index:** 98+  
**TM-30 Rf:** 94  
**TM-30 Rg:** 99

**Lead Wire:** 10' 18AWG  
**Mounting:** 9" ABS Plastic Stake  
**Lens:** Clear glass lens  
**Accessories:** Frosted lens, Hex lens, Shroud, Surface/Gutter/Tree Mounts, Extension Stems (all sold separately)  
**Listing:** ETL  
**Standard:** UL1838  
**Rating:** IP65

## Product Drawings



## Adjustable Driver Settings at 15V Input

Settings	Lumens	VA	Lm/W
0 pins up (max)	760 lm	14.80 VA	66.82
1 pin up	655 lm	11.97 VA	74.16
2 pins up	545 lm	9.72 VA	77.43
3 pins up	455 lm	7.90 VA	80.80
4 pins up	350 lm	5.86 VA	83.91
5 pins up (min)	245 lm	4.05 VA	85.55

(Pins located on driver)