

SL01 Up Light

Product Features

- Six lumen settings
- Single source LED chip for greater lux control
- Removable, drop-in optics
- Patented, sleek design
- Enhanced strength from through bolt in the knuckle
- Plugs to prevent insect and moisture penetration



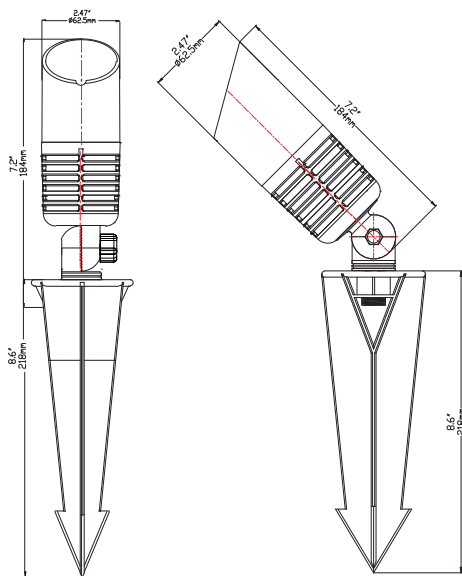
Specifications

Fixture Type: Dedicated Low Voltage LED
Color Temperature: 2700K / 3000K / 5000K
Material: Marine-Grade, Virgin Brass with a UV Coating
Finish: Antique Bronze or Raw Brass

Wattage: 3W (min) - 12.9W (max)
Lumen Output: 230 lm - 730 lm
Operating Voltage: 9V - 15V AC
Light Source: CREE LED
Optics: 11°, 25°, 40° (standard), 60°, and 80° (no optic)

Color Rendering Index: 92+
Lead Wire: 10' 18AWG
Mounting: 9" ABS Plastic Stake
Listing: ETL, UL1838, IP65

Product Drawings

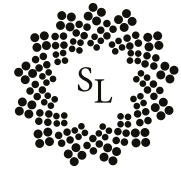


Adjustable Lumen Settings

No pins up: 730 lm (max)	3 pins up: 430 lm
1 pin up: 650 lm	4 pins up: 340 lm
2 pins up: 520 lm	All 5 pins up: 230 lm (min)

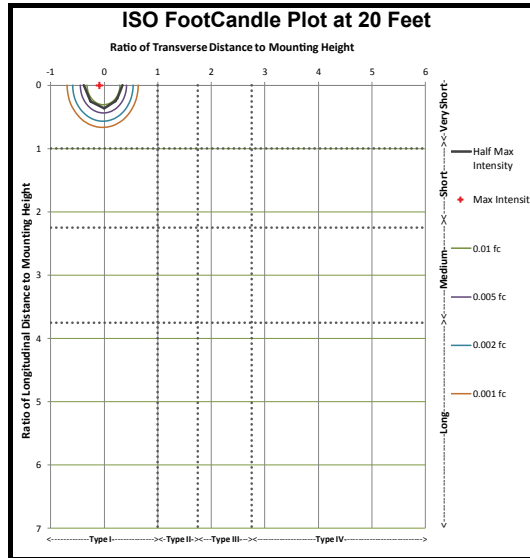


Sterling Lighting LLC SL01 Up Light



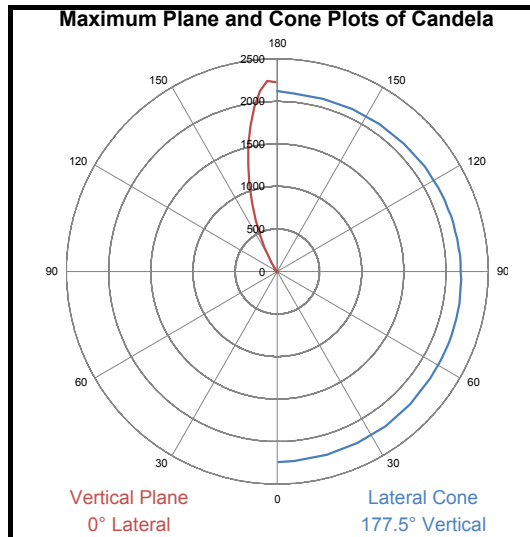
Electrical Test Conditions						
Temp	Voltage	Current	Power	Power Factor	Frequency	Current THD
24.3 °C	14.94 VAC	0.9978 A	10.34 W	0.694	60 Hz	93.4 %

Summary of Results	
Total Lumen Output	724.1 Lumens
Luminaire Efficacy	69.2 lm/w
Maximum Candela	8 Candela
IES Roadway Classification	Type I, Very Short
Cutoff Classification	Noncutoff
BUG Rating	B0 U4 G0
CCT	3108 K
CRI	92.6
Duv	0.0005
TM-30 Rf	91.0
TM-30 Rg	98.0

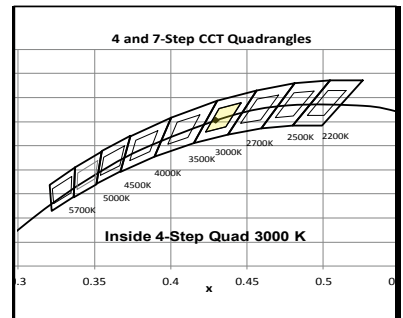
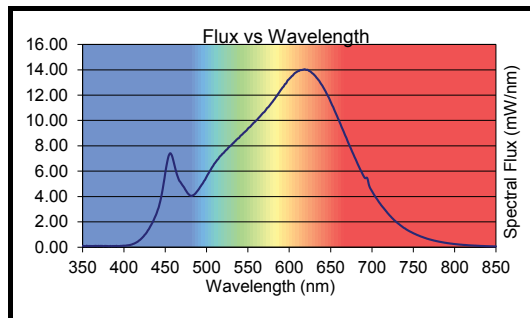


Intensity Through Maximum Plane (Candlepower)		
Angle	Candlepower	Lumens
0	7	
5	7	1
10	7	
15	5	1
20	3	
25	2	1
30	1	
35	0	0
40	0	
45	0	0
50	0	
55	0	0
60	0	
65	0	0
70	0	
75	0	0
80	0	
85	3	0
90	4	
95	4	1
100	5	
105	7	2
110	10	
115	10	3
120	13	
125	20	6
130	32	
135	50	14
140	58	
145	77	35
150	198	
155	482	170
160	858	
165	1301	321
170	1743	
175	2133	184
180	2224	

Luminaire Classification System (LCS)			
LCS	Zone	Lumens	%
FL	(0-30)	2	0%
FM	(30-60)	0	0%
FH	(60-80)	0	0%
FVH	(80-90)	0	0%
BL	(0-30)	2	0%
BM	(30-60)	0	0%
BH	(60-80)	0	0%
BVH	(80-90)	0	0%
UL	(90-100)	1	0%
UH	(100-180)	734	99%



Color Rendering Index Details	
Ra (CRI)	92.6
R1	92.7
R2	96.9
R3	98.7
R4	91.7
R5	92.3
R6	96.0
R7	91.4
R8	80.9
R9	57.4
R10	91.8
R11	92.3
R12	81.8
R13	94
R14	99.3



Chromaticity Coordinates	
Chromaticity (x)	0.4293
Chromaticity (y)	0.4014
Chromaticity (u)	0.2468
Chromaticity (v)	0.3461
Chromaticity (u')	0.2468
Chromaticity (v')	0.5192

Testing was performed in accordance with LM-79-08
The results contained in this summary pertain only to report #13330035.01

