

SL01N Narrow Up Light

Product Features

- Six lumen settings
- Single source LED chip for greater lux control
- Locked-in, narrow optic
- Sleek, patented design
- Enhanced strength from through bolt in the knuckle
- Plugs to prevent insect and moisture penetration



Specifications

Fixture Type: Dedicated Low Voltage LED

Color Temperature: 2700K / 3000K / 5000K

Material: Marine-Grade, Virgin Brass with a UV Coating

Finish: Antique Bronze or Raw Brass

Wattage: 3W (min) - 12.9W (max)

Lumen Output: 230 lm - 730 lm

Operating Voltage: 9V - 15V AC

Light Source: BRIDGELUX LED

Optics: 12°

Color Rendering Index: 92+

TM-30 Rf: 91

TM-30 Rg: 98

Lead Wire: 10' 18AWG

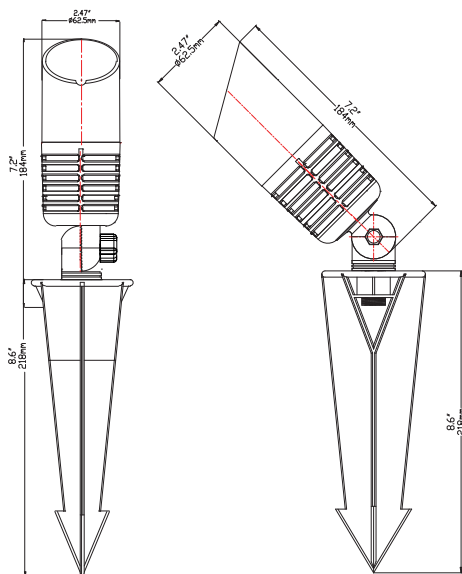
Mounting: 9" ABS Plastic Stake

Listing: ETL

Standard: UL 1838

Rating: IP65

Product Drawings



Adjustable Lumen Settings

No pins up: 730 lm (max)	3 pins up: 430 lm
1 pin up: 650 lm	4 pins up: 340 lm
2 pins up: 520 lm	All 5 pins up: 230 lm (min)