

# Lockable Plus Fastener



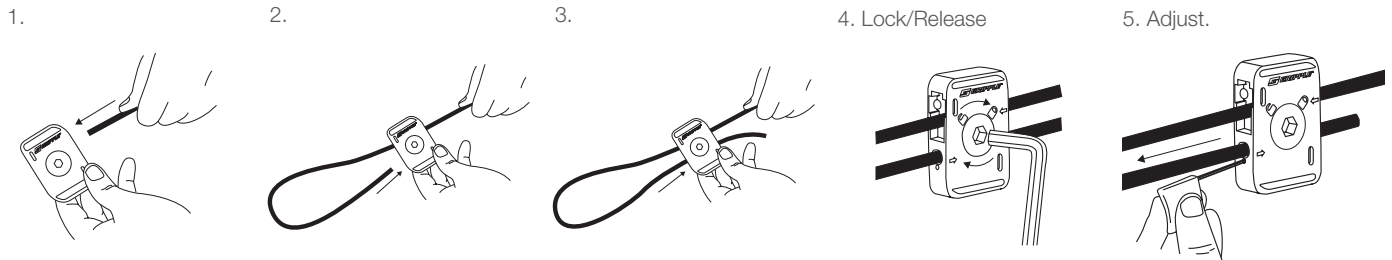
Designed for suspension and bracing of high load applications and Cable Strut installations.  
NOT suitable for use in chlorinated / swimming pool environments.

## FEATURES / BENEFITS

- Quick and simple installation
- Integral lock secures cable in both channels simultaneously for safety and security
- Designed for high load applications
- Suitable for indoor and outdoor applications
- Supplied in ready-to-use kits with length of cable and lock/release key

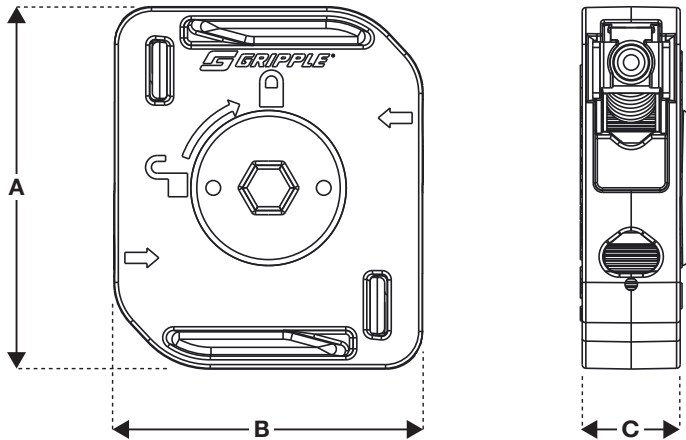


## INSTALLATION & ADJUSTMENT



Ensure a minimum 3 inches of tail cable exits the hanger.

## SIZE SPECS



Dimension	D2 (inches)	D3 (inches)	D4 (inches)	D6 (inches)
A	1.30	1.30	1.92	2.44
B	1.20	1.20	1.65	1.65
C	0.44	0.44	0.59	0.59

## AVAILABLE END FIXINGS



For more options on available end fixings please contact us or visit [www.gripple.com](http://www.gripple.com)

## SUBMITTAL INFORMATION

### Safe Working Load:

Please refer to other side.

### Cable Size:

D2 - 5/64"                      D4 - 3/16"  
D3 - 1/8"                         D6 - 1/4"

### Material:

**Housing** - Type ZA2 Zinc  
**Roller** - Ceramic Sintox FA  
**Spring** - Stainless Steel (Type 302)  
**End Cap** - UV stabilized homopolymer propylene

PI-LOCKABLEPLUS-US

[www.gripple.com](http://www.gripple.com)

Gripple's policy is one of continuous development and innovation. We therefore reserve the right to alter specifications, etc. without notice.

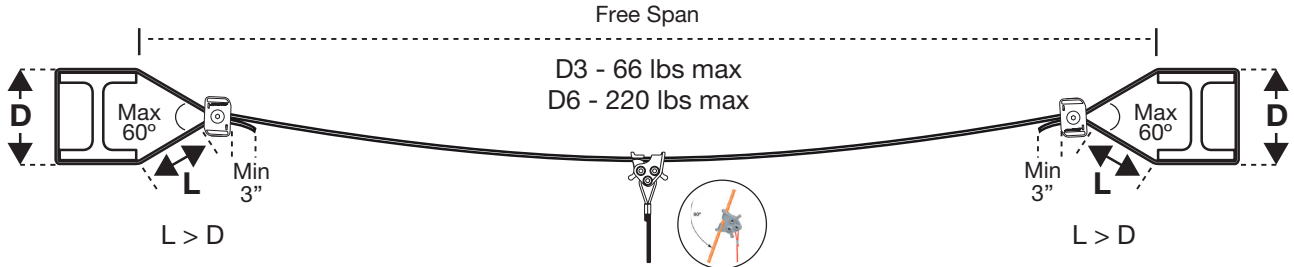


Gripple Inc | 1611 Emily Lane | Aurora, IL 60502 | USA

Tel +1 866 474 7753 Fax +1 800 654 0689 Email [grippleinc@gripple.com](mailto:grippleinc@gripple.com)

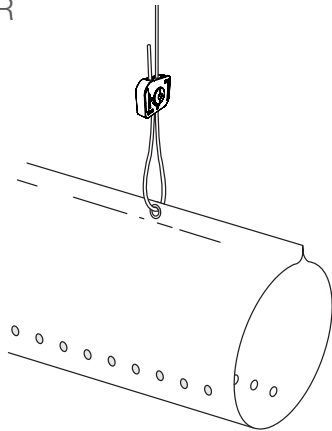
Designed for suspension and bracing of high load applications and Cable Strut installations.  
 NOT suitable for use in chlorinated / swimming pool environments.

## Cable Strut



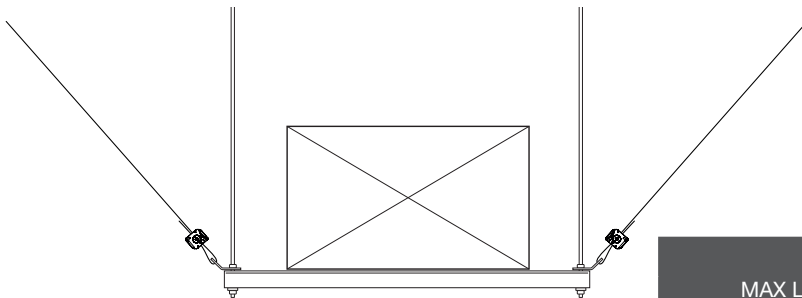
5:1 SAFETY FACTOR VERTICAL LOAD RATING PER FREE SPAN	D2	D3	D4	D6
	N/A	30 kg (66 lbs)	N/A	100 kg (220 lbs)

## HANGER



5:1 SAFETY FACTOR	D2	D3	D4	D6
	45 kg (100 lbs)	90 kg (200 lbs)	225 kg (495 lbs)	350 kg (770 lbs)

## BRACING



MAX LOAD PER CABLE	D2	D3	D4	D6
	1.76 kN (Max)	3.53 kN (Max)	7.35 kN (Max)	14.71 kN (Max)

If cable is to be used as a primary load support please refer to Gripple recommendations for hanging at angles.