



ASSEMBLY INSTRUCTIONS

KBC-HSK36

- Please Unpack all parts and check against parts list on this instruction sheet before discarding the packaging.
- Note: We recommended at least 2 people assist in installation to avoid injury or damage to the product.

#	Part Description	Dimension	QTY
1	Floating vanity	915x560x580mm	1 (PC)
2	Wooden Hanger	220x50x20mm	3 (PCS)
3	Plywood panel	794x160x18mm	1 (PC)

RTA hardware			
#	Drawing	Description	QTY
A		Long screws(Ø8x50mm)	15 (PCS)
B		Short screws(Ø8x35mm)	14 (PCS)

Tools

- . Screwdriver,drill,hammer...(not included)

Assembly Instructions

Step 1:

- Hold the plywood panel (3) against the wall and align the screw holes with your stud locations.
- Use a writing untencil to mark the location.
- See Figure 1 for recommended mounting height
- Use long screws (A) and drive them through the plywood panel to secure.

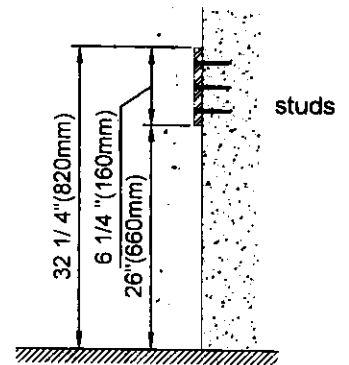
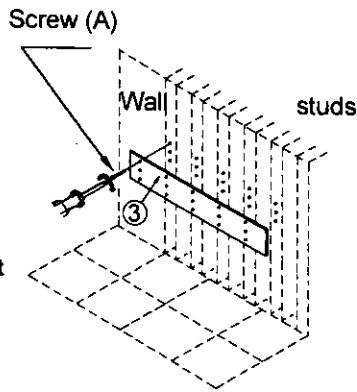


Figure 1

Step 2:

- Use short screws (B) to attach the wooden hanger (2) to the plywood panel (3).
- Use Figure 2 as reference for mounting height.

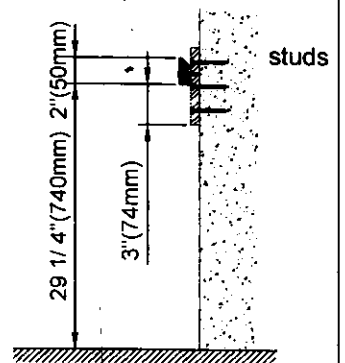
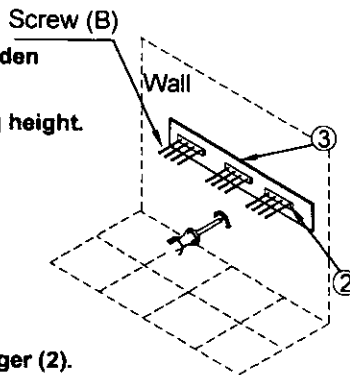


Figure 2

Step 3:

- Hang the vanity (1) on the wooden hanger (2).
- Use Figure 3 as reference for recommended final mounted height.

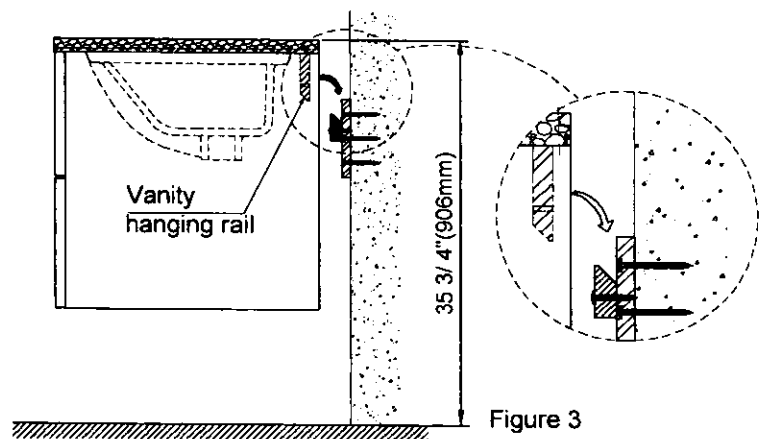
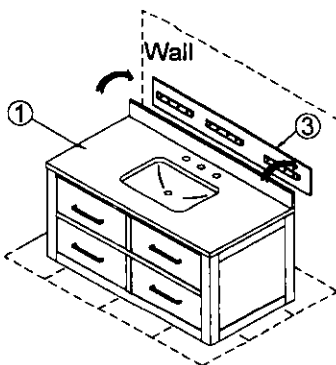


Figure 3

Vanities 36



ASSEMBLY INSTRUCTIONS KBC-HSK36

Step 4:

- Remove the middle drawers by pulling on the drawer, and pushing the locking device at the same time. See Figure 4.

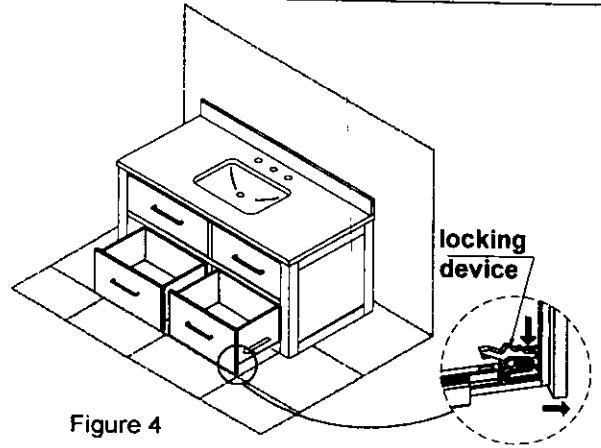
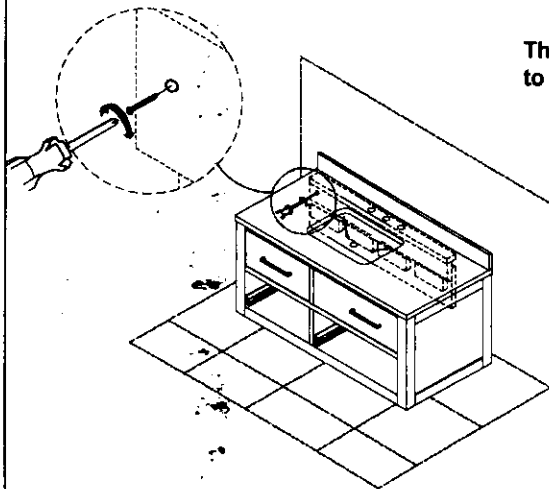


Figure 4

Step 5:

- Drive short screws (B) through the two holes located on the vanity hanging rail. See Figure 5.



The middle drawer has been removed, to facilitate short screw (B) installation

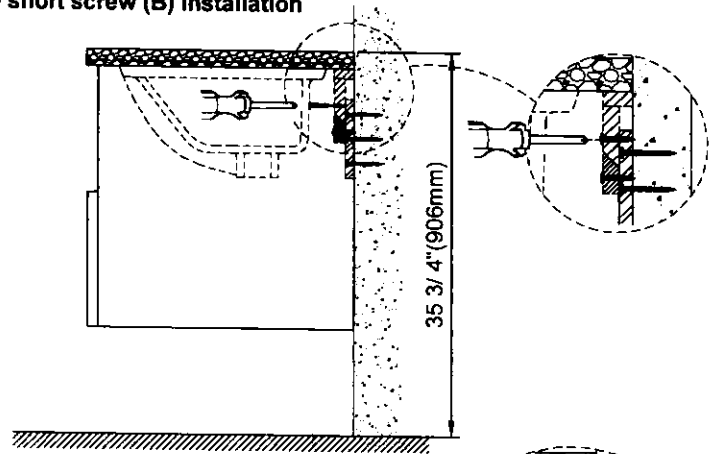


Figure 5

Step 6:

- Fully extend the slide rail out. See Figure 6.
- Place the drawer onto the slide rails. See Figure 7.
- To secure the drawer, close until a series of clicks are heard. See Figure 8.

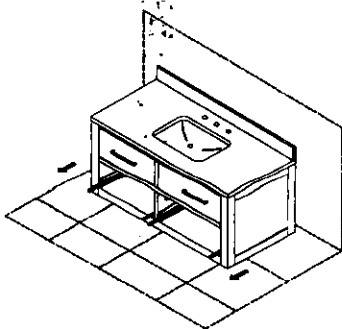


Figure 6

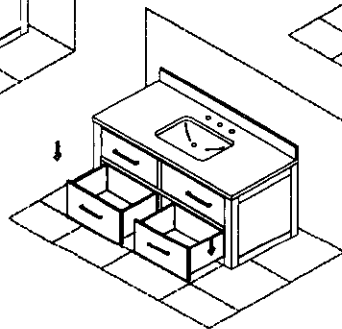


Figure 7

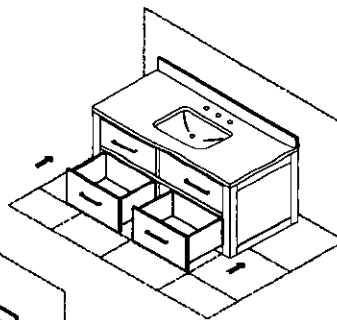


Figure 8

