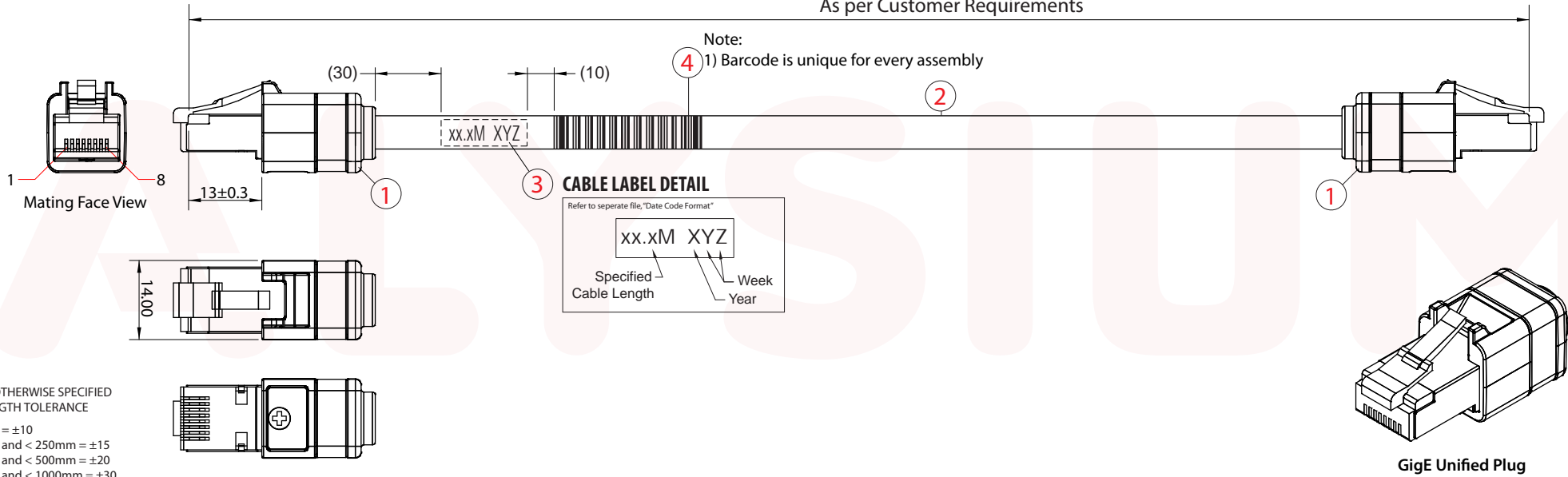


As per Customer Requirements



UNLESS OTHERWISE SPECIFIED
ASSY LENGTH TOLERANCE

- < 150mm = ±10
- ≥ 150mm and < 250mm = ±15
- ≥ 250mm and < 500mm = ±20
- ≥ 500mm and < 1000mm = ±30
- ≥ 1000mm and < 5000mm = ±50
- 5000mm and above = ±100

This document is the property of Alysium-Tech. It must not be copied or otherwise disclosed without prior written consent

RoHS COMPLIANT

BILL OF MATERIALS

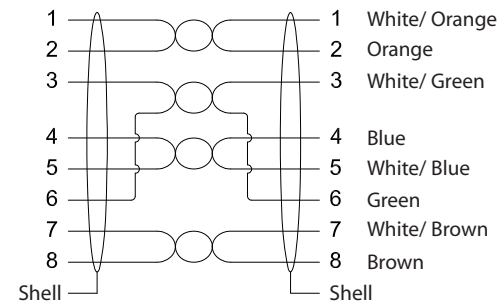
1. RJ45 Unified Plug 8P8C Diecast Metal Shell
2. A07-0528, [OD=5.89mm] <BLK>
Halogen Free CAT7 4P x #26, Dual Shielded with LSZH TPU Jacket
3. Cable Label
4. Barcode Label - According to Alysium Serial Barcode Standards
5. Heat Sealed PE Bag
6. Accessories:
- 2mm Spacer x1,
- 4mm Spacer x1,
- Locking Bracket (BLK chromium) x1 + M2 Thumb Screw x2

** Item's 1+2+6 = P72-1738

TEST SPECIFICATION

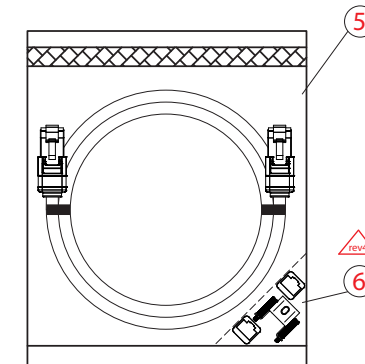
--TBD--

WIRING DIAGRAM

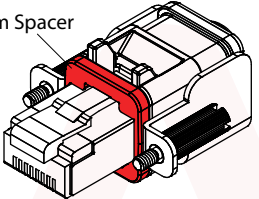
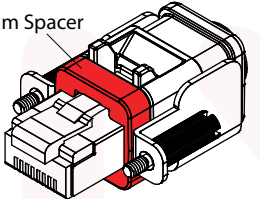
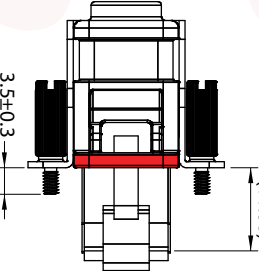
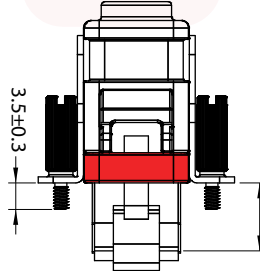
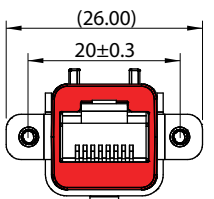
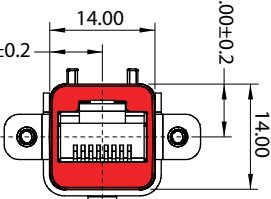


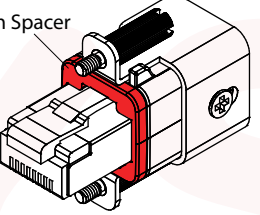
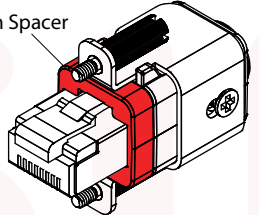
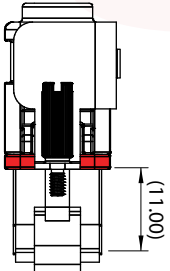
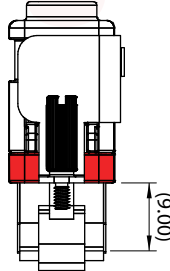
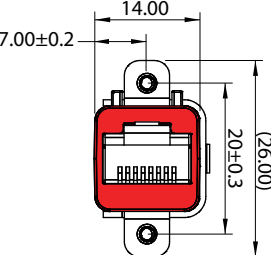
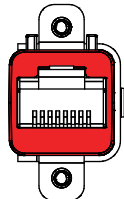
Note: All the Pair Shield connected to B. Shield

PACKAGING DETAIL



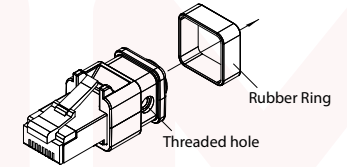
PLUG LENGTH & LOCKING BRACKET CUSTOMIZATION:

| Horizontal Locking | |
|---|---|
| Plug Length: 11mm Spacer: 2mm | Plug Length: 9mm Spacer: 4mm |
|  <p>2mm Spacer</p> |  <p>4mm Spacer</p> |
|  <p>3.5±0.3 11.00</p> |  <p>3.5±0.3 9.00</p> |
|  <p>26.00 20±0.3</p> <p>Mating Face View</p> |  <p>14.00 7.00±0.2 14.00</p> <p>Mating Face View</p> |

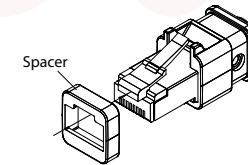
| Vertical Locking | |
|---|---|
| Plug Length: 11mm Spacer: 2mm | Plug Length: 9mm Spacer: 4mm |
|  <p>2mm Spacer</p> |  <p>4mm Spacer</p> |
|  <p>11.00</p> |  <p>9.00</p> |
|  <p>14.00 7.00±0.2 20±0.3 26.00</p> <p>Mating Face View</p> |  <p>Mating Face View</p> |

Bracket Installation Guide line

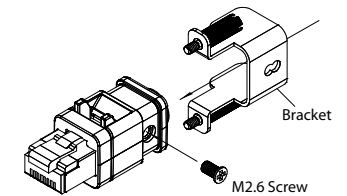
Step 1:
Remove rubber ring from the die cast body to reveal the threaded mounting hole



Step 2:
Determine the plug length required (9mm or 11mm) and insert the spacer to the plug from the front to depress on the latch tab



Step 3:
After spacer installation, glide the bracket from the back and fasten using M2.6 screw provided



Step 4:
Customization/ installation completed
Same steps apply to horizontal bracket installation

