






LENS

MEGAPIXEL LENS

Model	A4Z2812CS-MPIR AG4Z2812FCS-MPIR	A6Z8516CS-MP AG6Z8516FCS-MP	A4Z1214CS-MPIR AG4Z1214FCS-MPIR	H5Z2518C-MP HG5Z2518FC-MP
	 Over 3MP	 Over 3MP	 Over 3MP	 Over 3MP
Format	1/2.7	1/2.7	1/2.7	1/2
Mount	CS	CS	CS	C
Focal Length	2.8 - 10 mm	8.5 - 50 mm	12.5 - 50 mm	25 - 135 mm
Angle of View (HOR)	127.6° - 34.3° (16:9)	38.0° - 6.8° (16:9)	26.3° - 6.7° (16:9)	14.5° - 2.8°
Aperture	F1.2	F1.6	F1.4	F1.8
Iris	Manual / DC	Manual / DC	Manual / DC	Manual / DC
HD	√	√	√	√
IR	√	-	√	-

LENS ADAPTER

Model	VM400
	
Description	5mm Adapter Ring
Application	Attached between lens and camera - Adapts C-mount lens to CS-mount camera

*Exact products and specifications shown may vary by geographic and subject to change without notice. Actual products may differ from the images appearing in the specification sheet.



CBC Co.,Ltd.
TOKYO Head Office Image and Information Technology Division
Ganz Global Brand Center

<http://www.ganz-global.com/>

UPDATE: Aug, 2015

GANZ IP SPECIFICATIONS

**PixelPro GXi Network Camera
(with Video Content Analytics)
CS Mount Series**





Features:

- Video Compression: H.264, MJPEG
- Dual Stream
- Burnt-in Text, Video Motion Detection Support
- Two-way Audio
- SD Memory Support
- Comprehensive SDK Support
- Embedded Intelligent Video Analytics

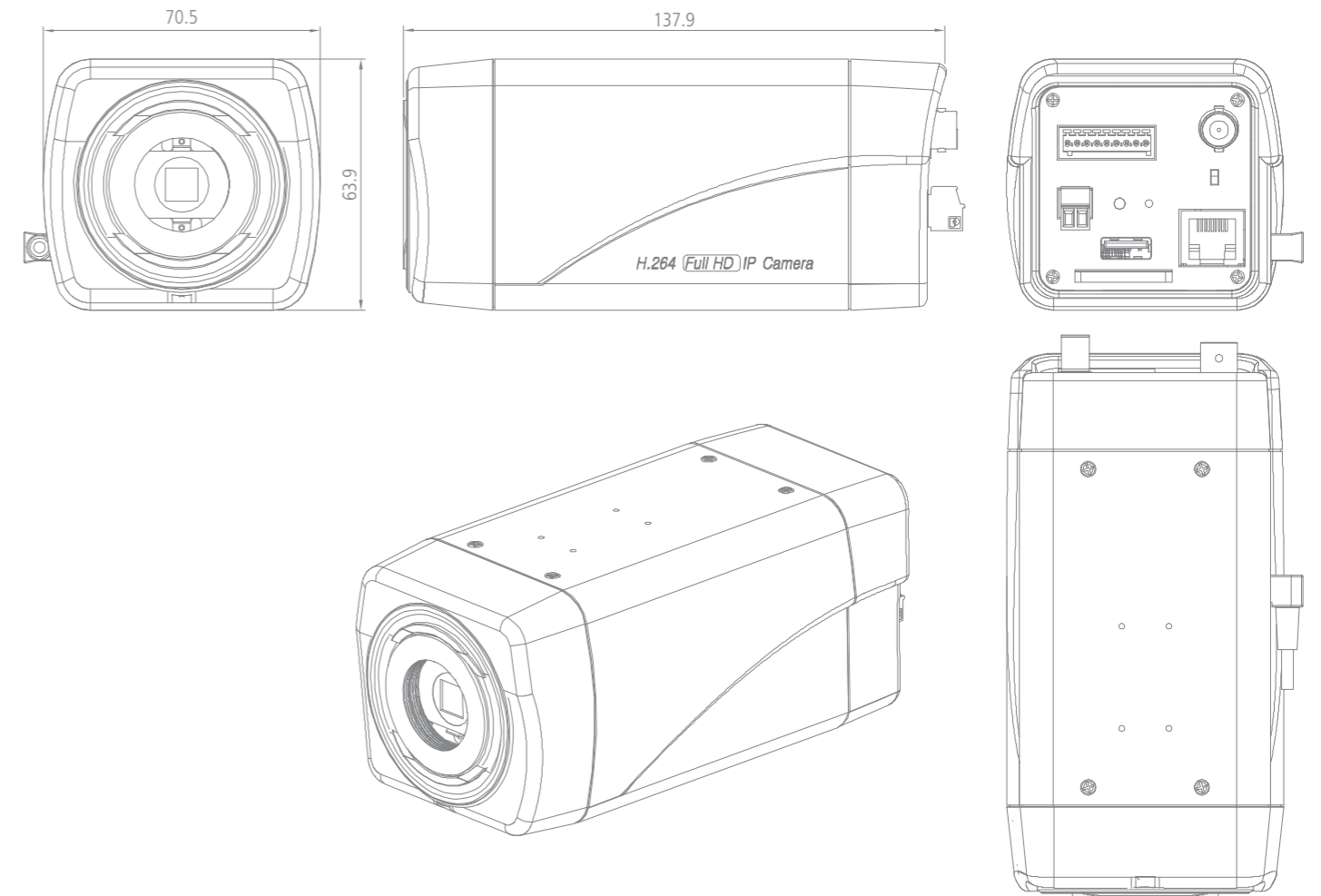
CBC Co.,Ltd.
Ganz Global Brand Center

SPECIFICATION

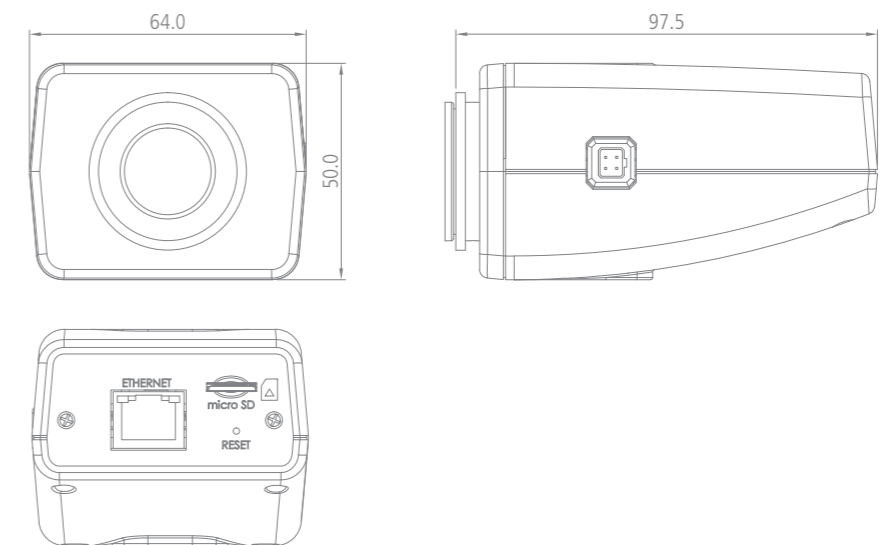
MODEL	ZN-NH22XE	ZN1-C4
		
Camera Module	Image Sensor	
	SONY EXMOR 1/2.9" 1080p CMOS	
	Effective Pixels	
	1920 x 1080	
	Scanning System	
	Progressive Scan	
	AGC control	
	Supported	
	Minimum Illumination (F1.2)	
	Color: 0.5 lux B/W : 0.001 lux (DSS ON)	
	Video	Lens
CS		
Day & Night		
True Day & Night (Removable IR Cut Filter)		
WDR		
Digital WDR		
DNR (Digital Noise Reduction)		
Supported		
DSS (Digital Slow Shutter)		
2X ~ 16X		
White Balance		
ATW1 / ATW2 / Push / Manual		
BLC		
On (possible to designate zone) / Off		
Iris		
Manual / DC Iris		
Audio	Compression Format	
	H.264 Baseline, Main, High profile(MPEG-4 Part 10/ AVC), MJPEG(Motion JPEG)	
	Number of Streams	
	Dual Stream, Configurable streams in H.264, MJPEG	
	Resolutions	
	1920 x 1080(Full HD), 1280 x 720(720p), 1120 x 630, 960 x 540(qHD), 800 x 450, 640 x 360(HVGA), 480 x 270, 320 x 180	
	Frame rate	
	H.264 : Max 30 fps in all resolution MJPEG : Max 30 fps in all resolution	
	Deinterlacing	
	-	
	Motion Detection	
Supported		
Text Overlay		
Supported		
Analog Output		
NTSC / PAL (3 minutes, only for installation purpose)		
Function	Input	
	1 channel	
	Output	
1 channel		
Compression Format		
G.711 μ-Law		
DI		
1 channel		
DO		
1 channel		
RS-485		
Supported		
Network		
10/100 Base-T		
Protocol		
QoS Layer 3 DiffServ, TCP/IP, UDP/IP, HTTP, HTTPS, RTSP, RTP, RTP/UDP, RTP/TCP, mDNS, UPnP™, SMTP, DHCP, DNS, DynDNS, NTP, SNMPv1/v2c/v3(MIB-II), IGMP, ICMP, SSLv2/v3, TLSv1		
USB 2.0		
Supported		
SD Memory Card Slot		
SD slot (up to 64GB)		
microSD slot (SDHC supported)		
Electrical	Power Source	
	12VDC, PoE	
	Power Over Ethernet	
Supported (IEEE 802.3af)		
Power Consumption (Approx)		
6.0W @ 12VDC		
3.84W @ PoE		
Environmental	Operating Temperature (Not include cold start)	
	[12VDC] 0°C ~ 50°C (32°F ~ 122°F); [PoE] 0°C ~ 45°C (32°F ~ 113°F)	
Operating Humidity		
Up to 85% RH (Non-condensing)		
Mechanical	Dimensions	
	70.5(W) x 63.9(H) x 137.9(D) mm 2.8" x 2.5" x 5.4"	
Weight (Approx)		
470g		
200g		
Certifications		
CE / FCC		
Onvif		
Supported		

DIMENSIONS

ZN-NH22XE



ZN1-C4



(Unit : mm)