

# **WELDEX**

## Camera Catalog



**WELDEX**  
CORPORATION

[www.weldex.com](http://www.weldex.com)

# About WELDEX

---

Weldex Corporation was founded in 1994 and is a global Original Equipment Manufacturer (OEM) of CCTV cameras, LCD monitors, and LED lighting. Weldex specializes in security products designed for banking, retail, commercial, and automotive applications. Weldex also specializes in LED lighting designed for the automotive, commercial fleet, and heavy equipment industries.

Our position as a market leader is a result of continual investment in our R&D department. This has translated to the development of cutting edge technology that Weldex is able to employ into our complete product line, which includes over 500 cameras, LCD monitors, and LED lights. Weldex has R&D, manufacturing, sales, and distribution offices in North America, Europe, Asia, and Australia.



# Contents

## ANALOG CAMERAS

|               |   |
|---------------|---|
| WDB-7700C-HD  | 5 |
| WDH-3200HID-S | 6 |
| WDH-3200HID-P | 7 |

## IP CAMERAS

|                         |    |
|-------------------------|----|
| WDP-1305M2-BB           | 10 |
| WDP-1305M2-RT           | 12 |
| WDP-1305M2-LT           | 14 |
| WDP-17S05MF             | 16 |
| WDP-17S03MFA            | 18 |
| WDP-4277M2A             | 20 |
| WDP-21BM2               | 22 |
| WDP-5437M2-REV01        | 24 |
| WDP-2562M2              | 26 |
| WDD-80D3MV              | 28 |
| WDP-79BS3M              | 30 |
| WDP-18TW2M-REV01        | 32 |
| WDP-5TW2M               | 34 |
| WDP-4602MXVA            | 36 |
| WDP-4608MXVA            | 38 |
| WDP-82FD2M-REV01        | 40 |
| WDP-82FD3MA             | 42 |
| WDP-82NCUA-REV01        | 44 |
| WDP-84ML2M-REV01 Series | 46 |

## AUTOMOTIVE CAMERAS

|                  |    |
|------------------|----|
| WDRV-3033CF      | 49 |
| WDRV-3033CS      | 50 |
| WDRV-7925C       | 51 |
| WDRV-3047C-LK    | 52 |
| WDRV-3415C       | 53 |
| WDRV-3478C-LT/RT | 54 |
| WDRV-33C160CLK   | 55 |
| WDRV-33C180CLK   | 56 |
| WDRV-7057C       | 57 |
| WDRV-7063C       | 58 |
| WDBS-7965C-94    | 59 |





# ***WELDEX***

## Analog Cameras

## Contents

---

### **ANALOG CAMERAS**

|               |   |
|---------------|---|
| WDB-7700C-HD  | 5 |
| WDH-3200HID-S | 6 |
| WDH-3200HID-P | 7 |

# WDB-7700C-HD

1/3" Color Submersible Bullet Camera



## SPECIFICATION

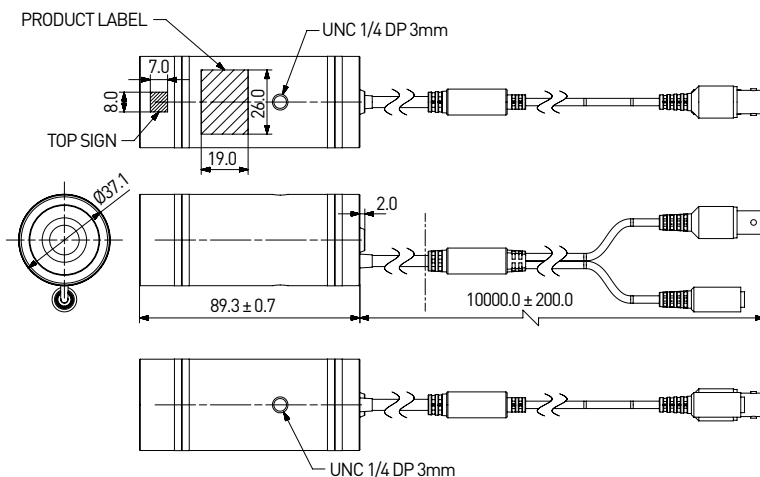
|                       |   |
|-----------------------|---|
| Image pick-up device  | Sony IMX225 1/3" 1.3megapixel CMOS image sensor |
| Effective pixel       | 1305(H) x 977(V)                                |
| Scanning system       | Progressive scan                                |
| Lens                  | 3.2mm fixed lens                                |
| IR LED                | 6 pcs white IR LEDs                             |
| Digital function      | NR / BLC  |
| S/N ratio             | More than 45dB                                  |
| Min. illumination     | 0.1Lux (IR LED on)                              |
| Video output          | CVBS  |
| Video output level    | 1.0Vp-p/75 (video 0.714Vp-p Sync 0.286Vp-p)     |
| Connectors            | DC jack & BNC connector                         |
| Power source          | 12V / 24V (Max 0.17A/12V_IR LED On)             |
| Operating temperature | -10°C ~ +60°C                                   |
| Humidity              | 30 ~ 90% RH                                     |
| Dimensions (mm)       | Ø37.1 x 89.3(L)                                 |

## FEATURES

- Can be completely submersed in water to a depth of 100 - 200 feet
- 6 White IR LED to light up any surrounding for maximum sensitivity
- Complete brass housing

## DIMENSIONS

[Unit : mm]





# WDH-3200HID-S

4 in 1 Miniature Camera



## SPECIFICATION

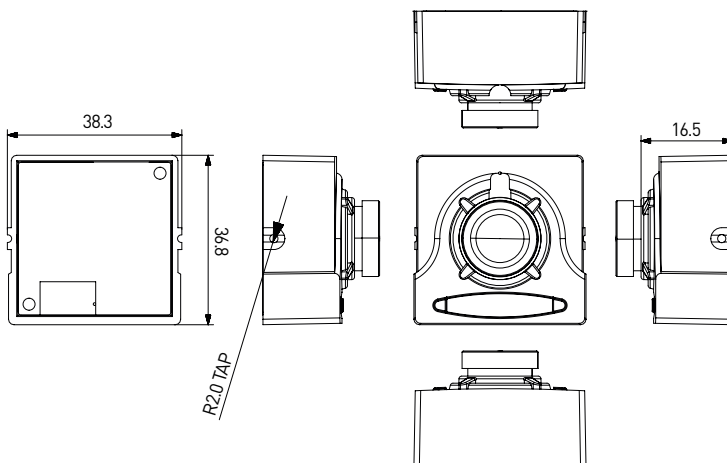
|                       |   |
|-----------------------|---|
| Image pick-up device  | 1/2.8 inch CMOS sensor                    |
| Effective pixel       | 1945(H) x 1109(V) (2.16M pixels)          |
| Scanning system       | Progressive                               |
| Lens                  | 3.6mm                                     |
| White balance         | AWB                                       |
| AGC                   | AUTO                                      |
| Digital function      | 3DNR / BLC / LSC                          |
| Min. illumination     | 0.1 Lux                                   |
| Resolution            | Analog HD : 1080P / CVBS : 1280H          |
| Max frame rate        | 30 fps                                    |
| Video output          | AHD, TVI, CVI, CVBS (one of four choices) |
| Housing               | Black / Aluminium                         |
| Accessory             | Bracket / Screw                           |
| Power source          | 12V (Max 0.1A)                            |
| Operating temperature | -10°C ~ +60°C                             |
| Dimensions (mm)       | 38.3(W) x 36.8(H) x 16.5(D)               |

## FEATURES

- Excellent low-light performance
- Miniature camera
- Various video outputs

## DIMENSIONS

[Unit : mm]



# WDH-3200HID-P

4 in 1 Miniature Camera



## SPECIFICATION

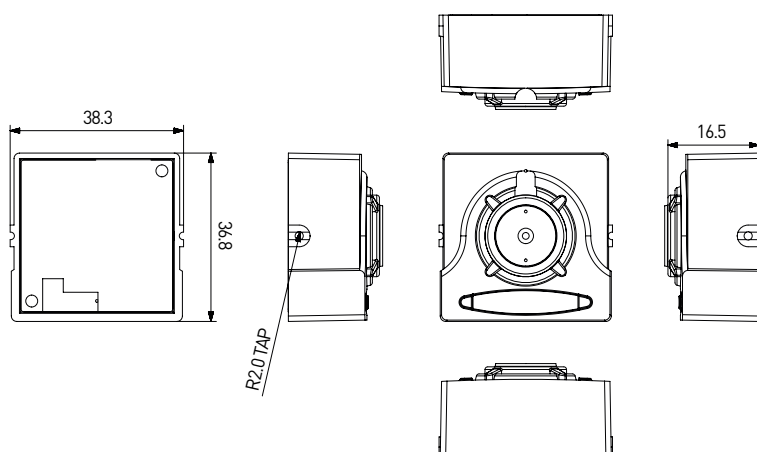
|                       |   |
|-----------------------|---|
| Image pick-up device  | 1/2.8 inch CMOS sensor                    |
| Effective pixel       | 1945(H) x 1109(V) (2.16M pixels)          |
| Scanning system       | Progressive                               |
| Lens                  | 3.7mm                                     |
| White balance         | AWB                                       |
| AGC                   | AUTO                                      |
| Digital function      | 3DNR / BLC / LSC                          |
| Min. illumination     | 0.1 Lux                                   |
| Resolution            | Analog HD : 1080P / CVBS : 1280H          |
| Max frame rate        | 30 fps                                    |
| Video output          | AHD, TVI, CVI, CVBS (one of four choices) |
| Housing               | Black / Aluminium                         |
| Accessory             | Bracket / Screw                           |
| Power source          | 12V (Max 0.1A)                            |
| Operating temperature | -10°C ~ +60°C                             |
| Dimensions (mm)       | 38.3(W) x 36.8(H) x 16.5(D)               |

## FEATURES

- Excellent low-light performance
- Miniature camera
- Various video outputs

## DIMENSIONS

[Unit : mm]



# WELDEX

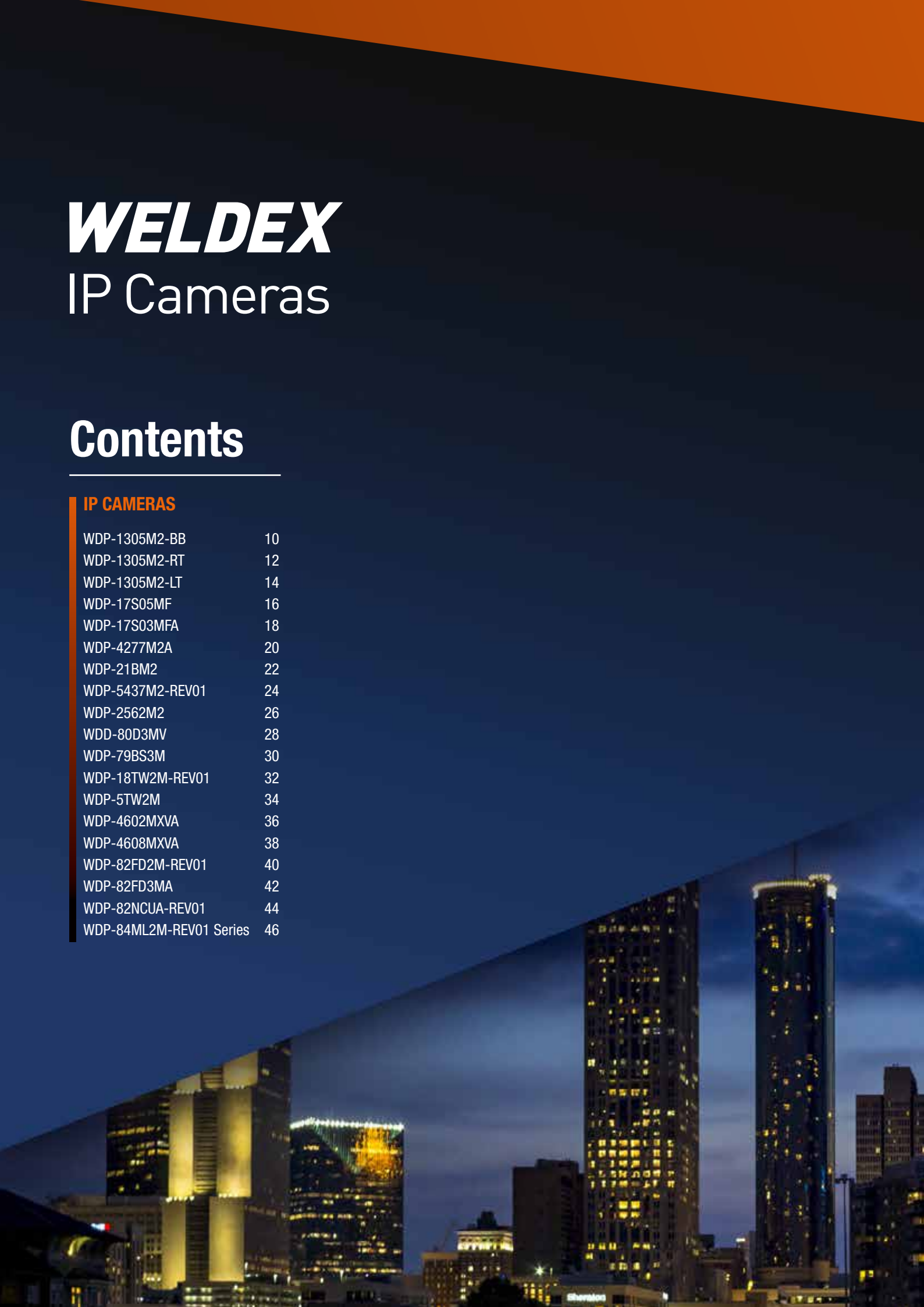
## IP Cameras

### Contents

---

#### IP CAMERAS

|                         |    |
|-------------------------|----|
| WDP-1305M2-BB           | 10 |
| WDP-1305M2-RT           | 12 |
| WDP-1305M2-LT           | 14 |
| WDP-17S05MF             | 16 |
| WDP-17S03MFA            | 18 |
| WDP-4277M2A             | 20 |
| WDP-21BM2               | 22 |
| WDP-5437M2-REV01        | 24 |
| WDP-2562M2              | 26 |
| WDD-80D3MV              | 28 |
| WDP-79BS3M              | 30 |
| WDP-18TW2M-REV01        | 32 |
| WDP-5TW2M               | 34 |
| WDP-4602MXVA            | 36 |
| WDP-4608MXVA            | 38 |
| WDP-82FD2M-REV01        | 40 |
| WDP-82FD3MA             | 42 |
| WDP-82NCUA-REV01        | 44 |
| WDP-84ML2M-REV01 Series | 46 |







**WELDEX**  
CORPORATION



# WDP-1305M2-BB

IP Ultra Miniature Camera



## SPECIFICATION

| Camera                       |   |
|------------------------------|---|
| Image pick-up device         | 1/2.7inch 1.2megapixel WDR CMOS HD sensor   |
| Number of active pixels      | 1280(H) x 720(V) = 1.0M(pixel)  |
| Total number of pixels       | 1280(H) x 800(V) = 1.2M(pixel)  |
| Scanning system              | Progressive scan  |
| Lens                         | F2.5 3.7mm megapixel pinhole type lens  |
| Shutter control              | Rolling shutter   |
| Sensitivity                  | 365mV/Lux-sec   |
| Video output mode            | HD 720p 30P   |
| White balance                | AWB / Manual  |
| Backlight compensation       | WDR   |
| Wide dynamic range IRIS mode | 115dB   |
| AGC                          | AGC on  |
| Adjustments                  | White balance / Exposure control / Color / Brightness / Sharpness / Contrast                                |
| IRIS mode                    | ESC   |
| S/N ratio                    | More than 39dB  |
| Video                        |   |
| Compression                  | H.264@HP, MJPEG   |
| Streaming                    | Simultaneous dual streams. H.264 streaming over UDP, TCP, HTTP or HTTPS. MJPEG streaming over HTTP or HTTPS |
| Resolution                   | 640x480, 800x480, 800x600, 1024x768, 1280x720   |
| Frame rate                   | up to 30fps @ 720p  |
| Networking                   |   |
| Interface                    | 10/100 Mbps Ethernet, RJ-45   |
| ONVIF                        | Version 2.2 support   |
| Protocols                    | IPv4, TCP/IP, HTTP, HTTPS, UPnP, BONJOUR RTP/RTSP, SMTP, FTP, DHCP, NTP, DNS, DDNS, SNMP                    |
| Users                        | 8 Clients monitoring at the same time   |
| Security                     |   |
| Security                     | Multi-level user access with password protection. IP address filtering. HTTPS encrypted data transmission   |
| Maintenance                  |   |
| Firmware                     | Supports firmware upgrade   |
| Dual booting                 | Support for firmware recovery   |
| Factory reset                | Restores to factory default settings  |
| Applications                 |   |
| Application                  | SDK available for application development and system integration  |

# WDP-1305M2-BB

## IP Ultra Miniature Camera



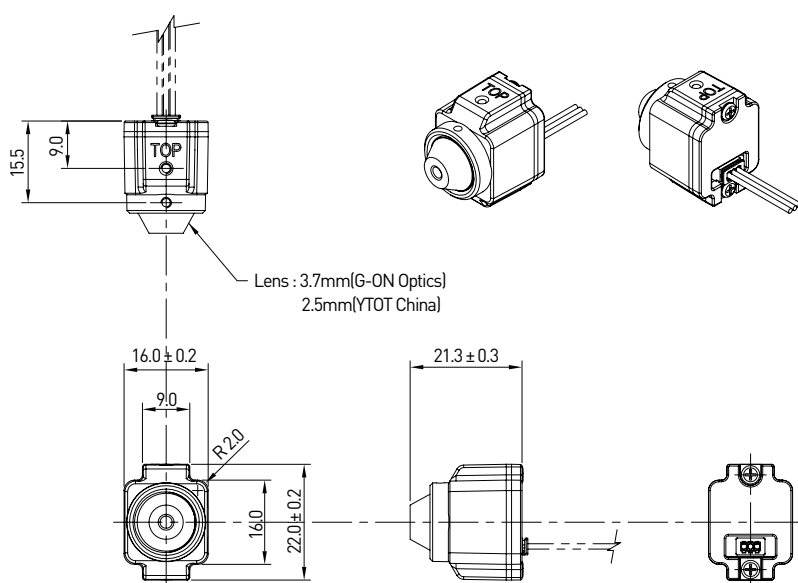
### FEATURES

- Wide dynamic range
- Progressive scan
- Miniature camera
- Power over Ethernet (PoE)
- ONMF profile S supported

| LED Indicators            |  |
|---------------------------|--|
| System status             | Normal operation, firmware upgrade, network unlinked<br>No connection of camera unit, system startup |
| Factory reset             | Factory resetting  |
| Power status              | Power ON/OFF   |
| Connectors                |  |
| Ethernet/PoE              | RJ-45 jack   |
| Power input               | DC jack  |
| Camera input              | LVDS coaxial, RG-174 impedance 50Ω   |
| Power                     |  |
| Power over Ethernet (PoE) | IEEE 802.3af   |
| Power supply              | DC 9~28V   |
| Power consumption         | Max 4W   |
| Approval                  |  |
| Approval                  | FCC class A  |
| Environmental             |  |
| Operating temperature     | -40°C ~ +60°C  |
| Humidity                  | 10 ~ 90% RH, non condensing  |
| Dimensions (mm)           | Camera unit : 16.0(W) x 22.0(H) x 21.3(D)<br>Main unit : 122.6(W) x 40.0(H) x 45.0(D)                |

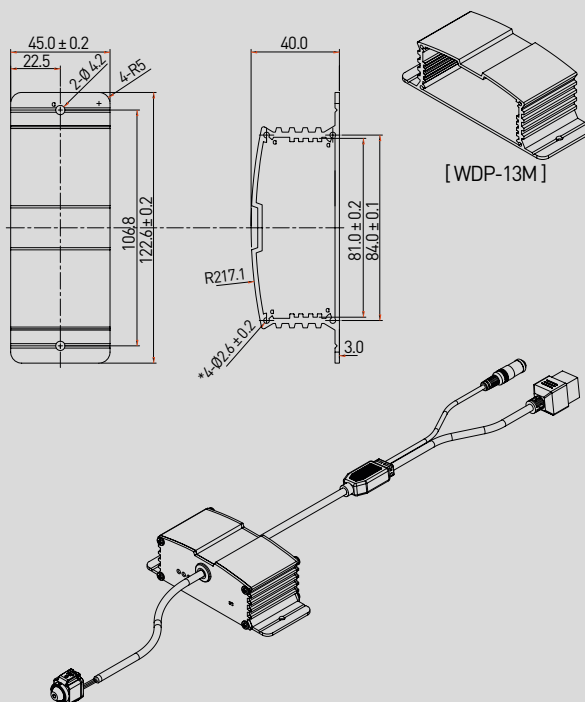
### DIMENSIONS

[Unit : mm]



### DIMENSIONS Main Unit

[Unit : mm]



# WDP-1305M2-RT

IP Ultra Miniature Camera



## SPECIFICATION

| Camera                       |   |
|------------------------------|---|
| Image pick-up device         | 1/2.7inch 1.2megapixel WDR CMOS HD sensor   |
| Number of active pixels      | 1280(H) x 720(V) = 1.0M(pixel)  |
| Total number of pixels       | 1280(H) x 800(V) = 1.2M(pixel)  |
| Scanning system              | Progressive scan  |
| Lens                         | F2.5 3.7mm megapixel pinhole type lens  |
| Shutter control              | Rolling shutter   |
| Sensitivity                  | 365mV/Lux-sec   |
| Video output mode            | HD 720p 30P   |
| White balance                | AWB / Manual  |
| Backlight compensation       | WDR   |
| Wide dynamic range IRIS mode | 115dB   |
| AGC                          | AGC on  |
| Adjustments                  | White balance / Exposure control / Color / Brightness / Sharpness / Contrast                                |
| IRIS mode                    | ESC   |
| S/N ratio                    | More than 39dB  |
| Video                        |   |
| Compression                  | H.264@HP, MJPEG   |
| Streaming                    | Simultaneous dual streams. H.264 streaming over UDP, TCP, HTTP or HTTPS. MJPEG streaming over HTTP or HTTPS |
| Resolution                   | 640x480, 800x480, 800x600, 1024x768, 1280x720   |
| Frame rate                   | up to 30fps @ 720p  |
| Networking                   |   |
| Interface                    | 10/100 Mbps Ethernet, RJ-45   |
| ONVIF                        | Version 2.2 support   |
| Protocols                    | IPv4, TCP/IP, HTTP, HTTPS, UPnP, BONJOUR RTP/RTSP, SMTP, FTP, DHCP, NTP, DNS, DDNS, SNMP                    |
| Users                        | 8 Clients monitoring at the same time   |
| Security                     |   |
| Security                     | Multi-level user access with password protection. IP address filtering. HTTPS encrypted data transmission   |
| Maintenance                  |   |
| Firmware                     | Supports firmware upgrade   |
| Dual booting                 | Support for firmware recovery   |
| Factory reset                | Restores to factory default settings  |
| Applications                 |   |
| Application                  | SDK available for application development and system integration  |

# WDP-1305M2-RT

IP Ultra Miniature Camera



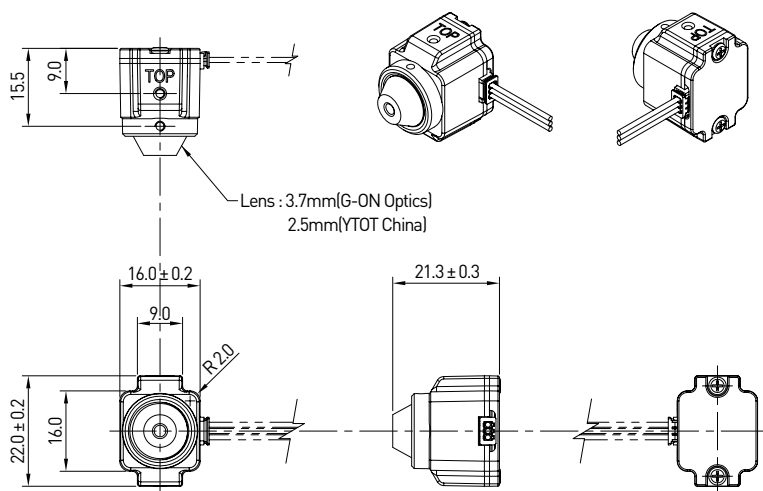
## FEATURES

- Wide dynamic range
- Progressive scan
- Miniature camera
- Power over Ethernet (PoE)
- ONMF profile S supported

| LED Indicators            |  |
|---------------------------|--|
| System status             | Normal operation, firmware upgrade, network unlinked<br>No connection of camera unit, system startup |
| Factory reset             | Factory resetting  |
| Power status              | Power ON/OFF   |
| Connectors                |  |
| Ethernet/PoE              | RJ-45 jack   |
| Power input               | DC jack  |
| Camera input              | LVDS coaxial, RG-174 impedance 50Ω   |
| Power                     |  |
| Power over Ethernet (PoE) | IEEE 802.3af   |
| Power supply              | DC 9~28V   |
| Power consumption         | Max 4W   |
| Approval                  |  |
| Approval                  | FCC class A  |
| Environmental             |  |
| Operating temperature     | -40°C ~ +60°C  |
| Humidity                  | 10 ~ 90% RH, non condensing  |
| Dimensions (mm)           | Camera unit : 16.0(W) x 22.0(H) x 21.3(D)<br>Main unit : 122.6(W) x 40.0(H) x 45.0(D)                |

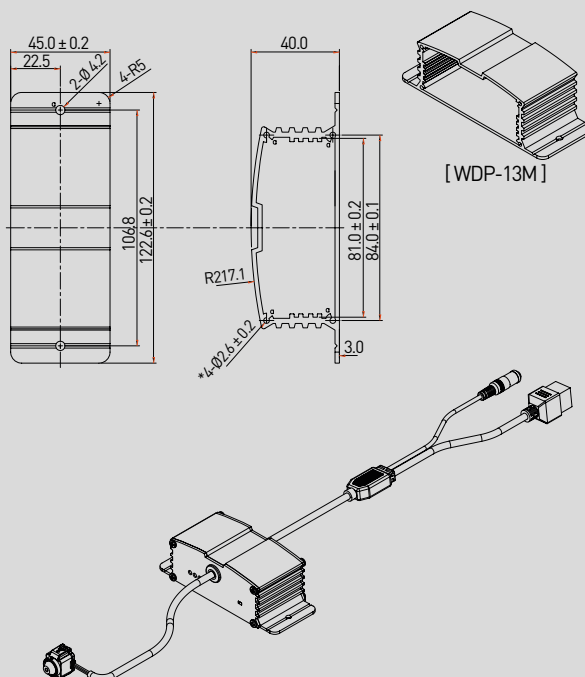
## DIMENSIONS

[Unit : mm]



## DIMENSIONS Main Unit

[Unit : mm]





# WDP-1305M2-LT

IP Ultra Miniature Camera



## SPECIFICATION

| Camera                       |   |
|------------------------------|---|
| Image pick-up device         | 1/2.7inch 1.2megapixel WDR CMOS HD sensor   |
| Number of active pixels      | 1280(H) x 720(V) = 1.0M(pixel)  |
| Total number of pixels       | 1280(H) x 800(V) = 1.2M(pixel)  |
| Scanning system              | Progressive scan  |
| Lens                         | F2.5 3.7mm megapixel pinhole type lens  |
| Shutter control              | Rolling shutter   |
| Sensitivity                  | 365mV/Lux-sec   |
| Video output mode            | HD 720p 30P   |
| White balance                | AWB / Manual  |
| Backlight compensation       | WDR   |
| Wide dynamic range IRIS mode | 115dB   |
| AGC                          | AGC on  |
| Adjustments                  | White balance / Exposure control / Color / Brightness / Sharpness / Contrast                                |
| IRIS mode                    | ESC   |
| S/N ratio                    | More than 39dB  |
| Video                        |   |
| Compression                  | H.264@HP, MJPEG   |
| Streaming                    | Simultaneous dual streams. H.264 streaming over UDP, TCP, HTTP or HTTPS. MJPEG streaming over HTTP or HTTPS |
| Resolution                   | 640x480, 800x480, 800x600, 1024x768, 1280x720   |
| Frame rate                   | up to 30fps @ 720p  |
| Networking                   |   |
| Interface                    | 10/100 Mbps Ethernet, RJ-45   |
| ONVIF                        | Version 2.2 support   |
| Protocols                    | IPv4, TCP/IP, HTTP, HTTPS, UPnP, BONJOUR RTP/RTSP, SMTP, FTP, DHCP, NTP, DNS, DDNS, SNMP                    |
| Users                        | 8 Clients monitoring at the same time   |
| Security                     |   |
| Security                     | Multi-level user access with password protection. IP address filtering. HTTPS encrypted data transmission   |
| Maintenance                  |   |
| Firmware                     | Supports firmware upgrade   |
| Dual booting                 | Support for firmware recovery   |
| Factory reset                | Restores to factory default settings  |
| Applications                 |   |
| Application                  | SDK available for application development and system integration  |

# WDP-1305M2-LT

IP Ultra Miniature Camera



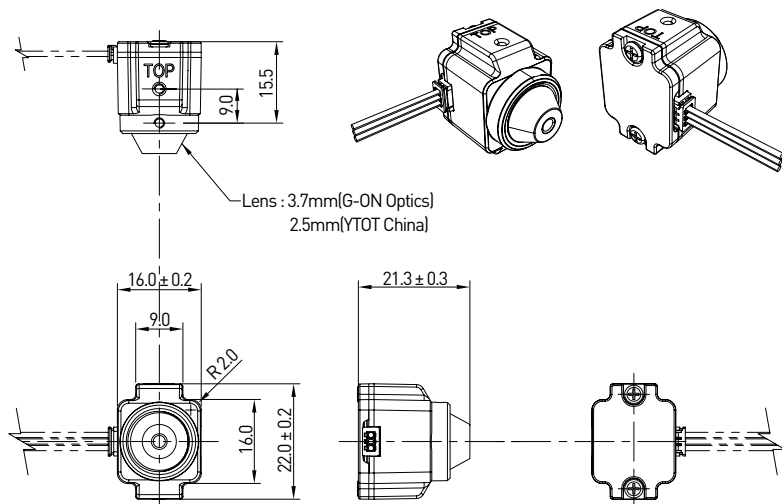
| LED Indicators            |  |
|---------------------------|--|
| System status             | Normal operation, firmware upgrade, network unlinked<br>No connection of camera unit, system startup |
| Factory reset             | Factory resetting  |
| Power status              | Power ON/OFF   |
| Connectors                |  |
| Ethernet/PoE              | RJ-45 jack   |
| Power input               | DC jack  |
| Camera input              | LVDS coaxial, RG-174 impedance 50Ω   |
| Power                     |  |
| Power over Ethernet (PoE) | IEEE 802.3af   |
| Power supply              | DC 9~28V   |
| Power consumption         | Max 4W   |
| Approval                  |  |
| Approval                  | FCC class A  |
| Environmental             |  |
| Operating temperature     | -40°C ~ +60°C  |
| Humidity                  | 10 ~ 90% RH, non condensing  |
| Dimensions (mm)           | Camera unit : 16.0(W) x 22.0(H) x 21.3(D)<br>Main unit : 122.6(W) x 40.0(H) x 45.0(D)                |

## FEATURES

- Wide dynamic range
- Progressive scan
- Miniature camera
- Power over Ethernet (PoE)
- ONMF profile S supported

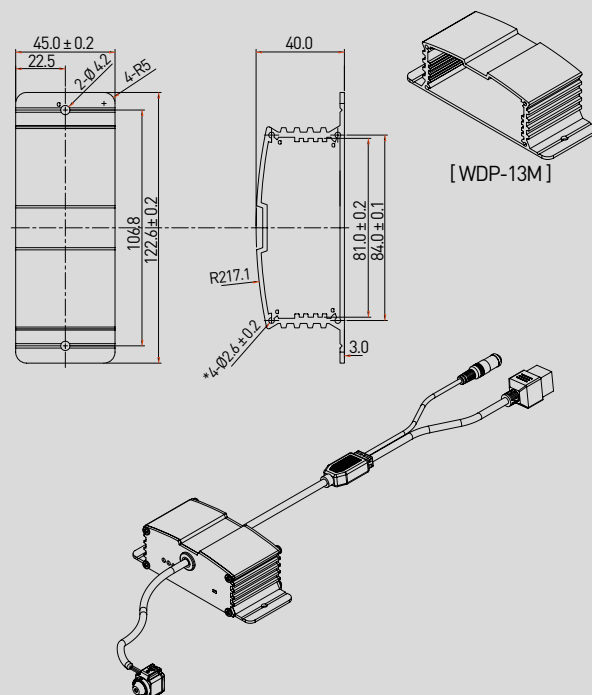
## DIMENSIONS

[Unit : mm]



## DIMENSIONS Main Unit

[Unit : mm]



# WDP-17S05MF

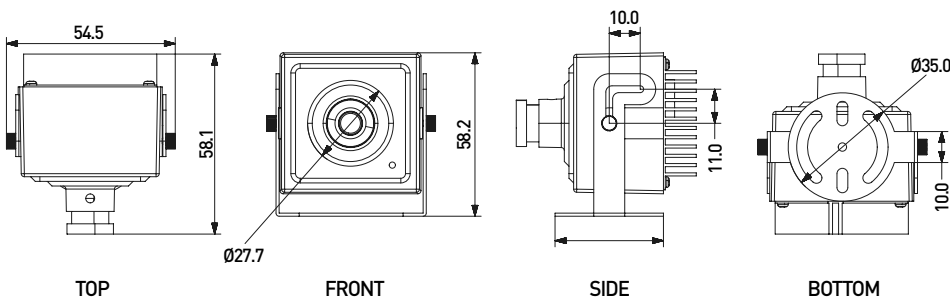
IP Network Miniature Camera



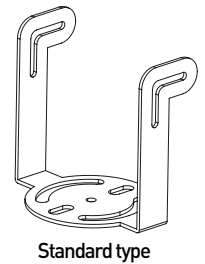
## SPECIFICATION

| Camera                 |   |
|------------------------|---|
| Image pick-up device   | Omni-vision OV10635 1/2.7 inch CMOS WXGA HD image sensor                                  |
| Effective pixel        | 1280(H) x 800(V) pixels   |
| Scanning system        | Progressive scan  |
| Lens                   | 3mega 3.7mm F1.8 lens   |
| Shutter                | Rolling shutter   |
| Sensitivity            | 3650mV / Lux-sec  |
| Dynamic range          | 115dB   |
| Mirror & flip function | Yes   |
| Noise reduction        | Yes   |
| Video                  |   |
| Compression            | H.264@HP, MJPEG   |
| Streaming              | Simultaneous dual streams   |
|                        | H.264 streaming over UDP, TCP, HTTP or HTTPS  |
|                        | MJPEG streaming over HTTP or HTTPS  |
| Resolution             | 640x480, 800x480, 800x600, 1024x768, 1280x720   |
| Frame rate             | 30fps   |
| Networking             |   |
| Interface              | 10/100 Mbps Ethernet, RJ-45   |
| Protocols              | TCP/IP, IPv4, HTTP, HTTPS, UPnP, RTP/RTSP, SMTP, FTP, DHCP, NTP, DNS, DDNS, SNMP, Bonjour |
| ONVIF                  | Supported   |
| Users                  | 8 Clients monitoring at the same time   |
| Event                  |   |
| Motion detection       | ON / OFF (12 zone selectable)   |
| Sensor & alarm         | 1 NO / NC input & 1 active low output   |
| Notifications          | Event notification using SMTP, FTP  |

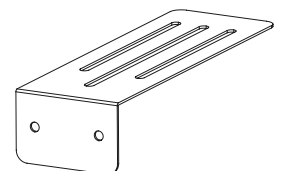
## DIMENSIONS



[Unit : mm]



Standard type



Optional type

# WDP-17S05MF

IP Network Miniature Camera



## FEATURES

- Wide dynamic range
- High resolution
- Progressive scan
- High sensitivity
- Noise reduction
- DC 8~28V
- Power over Ethernet (PoE)
- ONMF profile S supported

## BRACKET OPTION



**Standard type**



**Optional type**

| Security              |  |
|-----------------------|--|
| Security              | Multi-level user access with password protection |
|                       | IP address filtering                             |
|                       | HTTPS encrypted data transmission                |
| Maintenance           |  |
| Firmware              | Supports firmware upgrade                        |
| Dual booting          | Support for firmware recovery                    |
| Factory reset         | Restores to factory default recovery             |
| Power                 |  |
| Power supply          | DC 8~28V, PoE (IEEE 802.3af )                    |
| Power consumption     | Max 3.5W   |
| Approval              |  |
| Approval              | FCC class A                                      |
| Environmental         |  |
| Operating temperature | -10°C ~ +60°C                                    |
| Dimensions (mm)       | 54.5(W) x 58.2(H) x 58.1(D)                      |

# WDP-17S03MFA

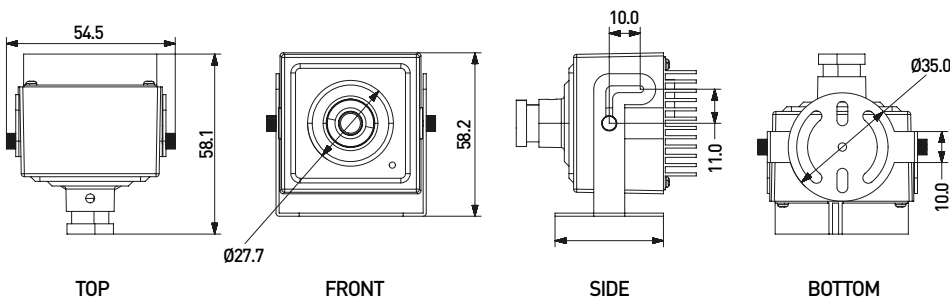
IP Miniature-ATM Camera



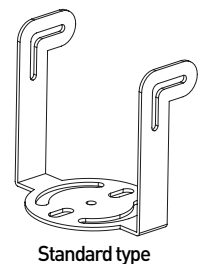
## SPECIFICATION

| Camera                   |   |
|--------------------------|---|
| Image pick-up device     | Sony IMX123 1/2.8" 3.2megapixel CMOS image sensor                   |
| Effective pixel          | 2065(H) x 1553(V) Pixels  |
| Scanning system          | Progressive scan  |
| Lens                     | F2.0, Focal length 2.5mm, 3megapixel fixed lens                     |
| Electronic shutter speed | Auto / NTSC : 1/30 ~ 1/8,000sec / PAL : 1/25 ~ 1/8,000sec           |
| Day & night              | Auto / BW / Color   |
| White balance            | ATW / Manual / 2800K / 4000K  |
| Backlight compensation   | WDR / BLC   |
| AGC                      | Off / Low / Middle / High   |
| Adjustments              | Brightness / Saturation / Contrast / Sharpness                      |
| Noise reduction          | 3DNR  |
| S/N ratio                | More than 50dB  |
| Min. illumination        | 1.0Lux(Color), 0.5Lux(BW)   |
| Video                    |   |
| Compression              | 2 H.264@HP/MP/BP, MJPEG   |
| Streaming                | Simultaneous triple streams   |
|                          | H.264 streaming over UDP, TCP, HTTP or HTTPS                        |
|                          | MJPEG streaming over HTTP or HTTPS                                  |
| Resolution               | 640x480, 800x480, 800x600, 1280x720, 1024x768, 1920x1080, 2048x1536 |
| Frame rate               | up to 30fps@2048x1536   |
| Processor                |   |
| Main processor           | Ambarella S2LM ARM Cortex-A9, 600MHz                                |
| Main memory              | DDR3 256MB  |

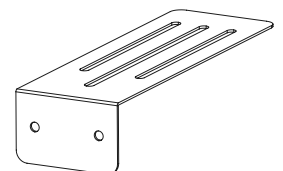
## DIMENSIONS



[Unit : mm]



Standard type



Optional type



# WDP-17S03MFA

## IP Miniature-ATM Camera



### FEATURES

- Wide dynamic range
- High resolution
- Progressive scan
- High sensitivity
- Noise reduction
- DC 9~28V
- Power over Ethernet (PoE)
- ONMF profile S supported

### BRACKET OPTION



**Standard type**



**Optional type**

| Networking                |  |
|---------------------------|--|
| Interface                 | 10/100 Mbps Ethernet, RJ-45  |
| ONVIF                     | Support Profile-S  |
| Protocols                 | IPv4, TCP/IP, HTTP, HTTPS, UPnP, BONJOUR RTP/RTSP, SMTP, FTP, DHCP, NTP, DNS, DDNS, SNMP |
| Users                     | 8 Clients monitoring at the same time  |
| Security                  |  |
| Security                  | Multi-level user access with password protection   |
|                           | IP address filtering   |
|                           | HTTPS encrypted data transmission  |
| Maintenance               |  |
| Firmware                  | Supports firmware upgrade  |
| Factory reset             | Restores to factory default settings   |
| Applications              |  |
| Application               | SDK available for application development and system integration                         |
| Connectors                |  |
| Ethernet / PoE            | RJ-45 jack   |
| Power input               | Plug-in DC jack  |
| Sensor in / alarm out     | 4P Strip wire  |
| Power                     |  |
| Power over Ethernet (PoE) | IEEE 802.3af   |
| Power supply              | DC 9~28V   |
| Power consumption         | Max 3W   |
| Environmental             |  |
| Operating temperature     | -20°C ~ +70°C  |
| Humidity                  | 0 ~ 90% RH, non condensing   |
| Dimensions (mm)           | 54.5(W) x 58.2(H) x 58.1(D)  |

# WDP-4277M2A

3MP HD IP Miniature Box Camera

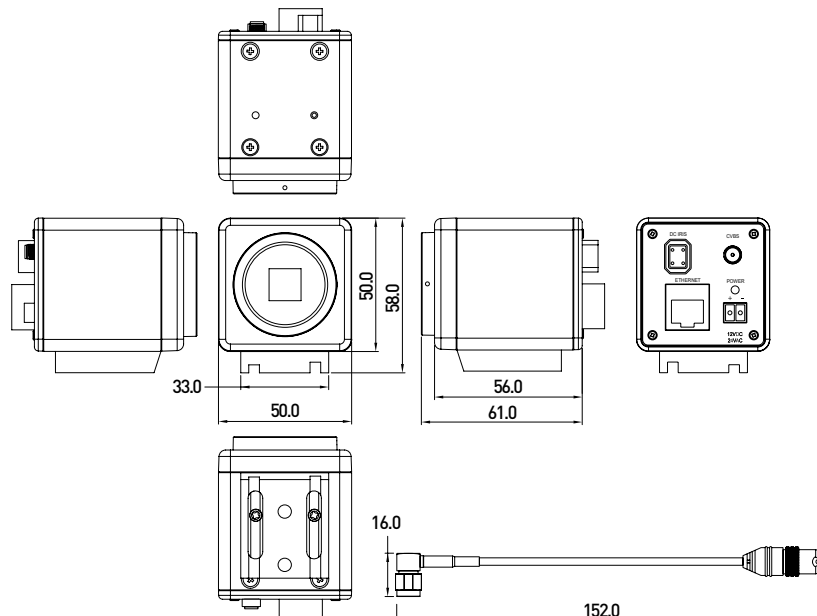


## SPECIFICATION

| Camera                   |  |
|--------------------------|--|
| Image pick-up device     | Sony IMX123 1/2.8" 3.2megapixel CMOS image sensor                              |
| Effective pixel          | 2065(H) x 1553(V) pixels   |
| Scanning system          | Progressive scan   |
| Lens (optional)          | F1.6, Focal length 2.7~13.5mm, CS mount, 4MP varifocal lens                    |
| Electronic shutter speed | Auto / NTSC : 1/30sec ~ 1/8,000sec / PAL : 1/25sec ~ 1/8,000sec                |
| Day & night              | Auto / BW / Color  |
| White balance            | ATW / Manual / 2800K / 4000K   |
| Backlight compensation   | WDR / BLC  |
| AGC                      | Off / Low / Middle / High  |
| Adjustments              | Brightness / Saturation / Contrast / Sharpness                                 |
| Noise reduction          | 3DNR   |
| S/N ratio                | More than 50dB   |
| Min. illumination        | 1.0Lux(Color), 0.5Lux(BW)  |
| Video                    |  |
| Compression              | 2 H.264@HP/MP/BP, MJPEG  |
| Streaming                | Simultaneous triple streams  |
|                          | H.264 streaming over UDP, TCP, HTTP or HTTPS                                   |
|                          | MJPEG streaming over HTTP or HTTPS   |
| Resolution               | 640x480, 800x480, 800x600, 1024x768, 1280x720, 1280x1024, 1920x1080, 2048x1536 |
| Frame rate               | up to 30fps@2048x1536  |

## DIMENSIONS

[Unit : mm]



# WDP-4277M2A

3MP HD IP Miniature Box Camera



## FEATURES

- Sony CMOS Full-HD sensor
- Day & Night
- Electronic IRIS
- DC drive lens
- 3D DNR (digital noise reduction)
- Backlight compensation
- Power over Ethernet IEEE 802.3af
- Additional function  
(motion detection, mirror, white balance, sharpness, brightness, contrast)

| Processor                 |   |
|---------------------------|---|
| Main processor            | Ambarella S2LM ARM Cortex-A9, 600MHz  |
| Main memory               | DDR3 256MB  |
| Networking                |   |
| Interface                 | 10/100 Mbps Ethernet, RJ-45   |
| ONVIF                     | Support Profile-S   |
| Protocols                 | IPv4, TCP/IP, HTTP, HTTPS, UPnP, BONJOUR RTP/RTSP, SMTP, FTP, DHCP, NTP, DNS, DDNS, SNMP                      |
| Users                     | 8 Clients monitoring at the same time   |
| Security                  |   |
| Security                  | Multi-level user access with password protection<br>IP address filtering<br>HTTPS encrypted data transmission |
| Maintenance               |   |
| Firmware                  | Supports firmware upgrade   |
| Factory reset             | Restores to factory default settings  |
| Applications              |   |
| Application               | SDK available for application development and system integration  |
| Connectors                |   |
| Ethernet / PoE            | RJ-45 jack  |
| Power input               | Plug-in type connector  |
| Power                     |   |
| Power over Ethernet (PoE) | IEEE 802.3af  |
| Power supply              | DC 9~28V, AC 24V  |
| Power consumption         | Max 4W  |
| Approval                  |   |
| Approval                  | FCC class A   |
| Environmental             |   |
| Operating temperature     | -20°C ~ +70°C   |
| Humidity                  | 0 ~ 90% RH, non condensing  |
| Dimensions (mm)           | 50.0(W) x 50.0(H) x 61.0(D)   |

# WDP-21BM2

1.2MP IP Miniature Bullet Camera

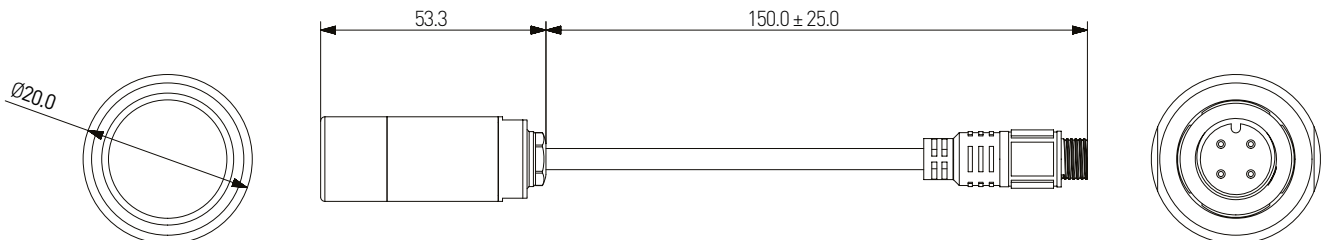


## SPECIFICATION

| Camera                 |   |
|------------------------|---|
| Image pick-up device   | 1/2.7" 1.2megapixel WDR CMOS HD sensor  |
| Scanning system        | Progressive scan  |
| Lens                   | F1.8 3.6mm megapixel fixed lens   |
| Shutter control        | Rolling shutter   |
| Sensitivity            | 3650 mV/Lux-sec   |
| Video output mode      | HD720p 30P  |
| White balance          | AWB / Manual  |
| Backlight compensation | WDR   |
| Wide dynamic range     | 115dB   |
| AGC                    | AGC on  |
| Adjustments            | White balance / Exposure control / Color / Brightness / Sharpness   |
| S/N ratio              | More than 39dB  |
| Video                  |   |
| Compression            | H.264@HP, MJPEG   |
| Streaming              | Simultaneous dual streams<br>H.264 streaming over UDP, TCP, HTTP or HTTPS, MJPEG streaming over HTTP or HTTPS |
| Resolution             | 640x480, 800x480, 800x600, 1024x768, 1280x720   |
| Frame rate             | Up to 30fps@720p  |

## DIMENSIONS

[Unit : mm]



# WDP-21BM2

## 1.2MP IP Miniature Bullet Camera



| Networking                |  |
|---------------------------|--|
| Interface                 | 10/100 Mbps Ethernet, RJ-45  |
| ONVIF                     | Version 2.2 support  |
| Protocols                 | IPv4, TCP/IP, HTTP, HTTPS, UPnP, BONJOUR RTP/RTSP, SMTP, FTP, DHCP, NTP, DNS, DDNS, SNMP |
| Users                     | 8 Clients monitoring at the same time  |
| Security                  |  |
| Security                  | Multi-level user access with password protection   |
|                           | IP address filtering   |
|                           | HTTPS encrypted data transmission  |
| Maintenance               |  |
| Firmware                  | Supports firmware upgrade  |
| Dual booting              | Support for firmware recovery  |
| Factory reset             | Restores to factory default settings   |
| Applications              |  |
| Application               | SDK available for application development and system integration                         |
| Connectors                |  |
| Ethernet                  | RJ-45 jack   |
| Power input               | DC jack  |
| Power                     |  |
| Power over Ethernet (PoE) | IEEE 802.3af   |
| Power supply              | DC 9~29V   |
| Power consumption         | Max 4W   |
| Environmental             |  |
| Operating temperature     | -30°C ~ +60°C  |
| Humidity                  | 10 ~ 90% RH, non condensing  |
| Dimensions (mm)           | Ø20.0 x 53.3(D)  |
| System                    |  |
| Operating system          | Embedded linux   |

### FEATURES

- Omnivision 1/2.7" CMOS HD image sensor
- Ultra miniature size
- Wide dynamic range
- Up to 30fps@720p
- Progressive scan
- DC 9~29V
- Power over Ethernet (PoE)

### BRACKET OPTION



**ATM Mount Bracket**



# WDP-5437M2-REV01

2MP IP Flush Mount Camera

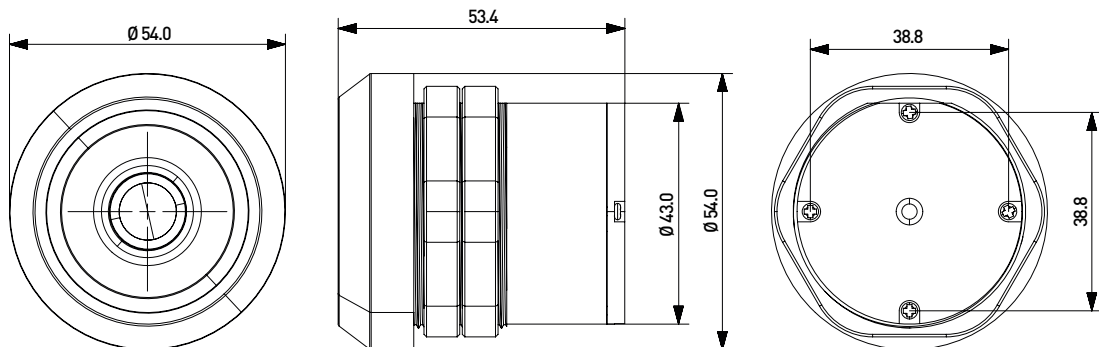


## SPECIFICATION

| Camera                   |   |
|--------------------------|---|
| Image pick-up device     | 1/2.9inch 2.38megapixel full HD CMOS image sensor                           |
| Scanning system          | Progressive scan  |
| Lens                     | F1.8 3.7mm megapixel fixed lens   |
| Shutter control          | Rolling shutter   |
| Electronic shutter speed | Auto / Flicker / NTSC : 1/30sec ~ 1/50,000sec / PAL : 1/25sec ~ 1/50,000sec |
| White balance            | AWB / Manual / Indoor / Outdoor   |
| Sensitivity              | 425 mV / Lux-sec  |
| Backlight compensation   | OFF / WDR / BLC / HSBC  |
| AGC                      | Low / Middle / High   |
| Day & night              | Auto / BW / Color   |
| Noise reduction          | 2DNR / 3DNR / Smart NR  |
| S/N ratio                | More than 50dB  |
| Min. illumination        | 1.0Lux(Color), 0.5Lux(BW)   |
| Video                    |   |
| Compression              | H.264, MJPEG  |
| Streaming                | Simultaneous dual streams   |
|                          | H.264 streaming over UDP, TCP, HTTP or HTTPS                                |
|                          | MJPEG streaming over HTTP or HTTPS  |
| Resolution               | 640x480, 800x480, 800x600, 1024x768, 1280x720, 1280x1024, 1920x1080         |
| Frame rate               | HDR off : up to 30fps 1080p   |

## DIMENSIONS

[Unit : mm]



# WDP-5437M2-REV01

2MP IP Flush Mount Camera



| Networking                |  |
|---------------------------|--|
| Interface                 | 10/100 Mbps Ethernet, RJ-45  |
| ONVIF                     | Version 2.2 support  |
| Protocols                 | IPv4, TCP/IP, HTTP, HTTPS, UPnP, BONJOUR RTP/RTSP, SMTP, FTP, DHCP, NTP, DNS, DDNS, SNMP |
| Users                     | 8 Clients monitoring at the same time  |
| Security                  |  |
| Security                  | Multi-level user access with password protection   |
|                           | IP address filtering   |
|                           | HTTPS encrypted data transmission  |
| Maintenance               |  |
| Firmware                  | Supports firmware upgrade  |
| Dual booting              | Support for firmware recovery  |
| Factory reset             | Restores to factory default settings   |
| Applications              |  |
| Application               | SDK available for application development and system integration                         |
| Connectors                |  |
| Ethernet / PoE            | RJ-45 jack   |
| Power input               | 1x DC jack   |
| Power                     |  |
| Power over Ethernet (PoE) | IEEE 802.3af   |
| Power supply              | DC 9~28V   |
| Power consumption         | Max 6.5W   |
| Environmental             |  |
| Operating temperature     | -20°C ~ +70°C  |
| Humidity                  | 10 ~ 90% RH, non condensing  |
| Water resistant           | IP66 Ingress protection (only camera unit)   |
| Dimensions (mm)           | Ø54.0 x 53.4(D)  |

## FEATURES

- Sony CMOS Full-HD sensor
- Up to 30fps@1080p
- Power over Ethernet (PoE)
- IP66
- -20°C ~ +70°C

# WDP-2562M2

IP Network Camera : Indoor Mini Dome

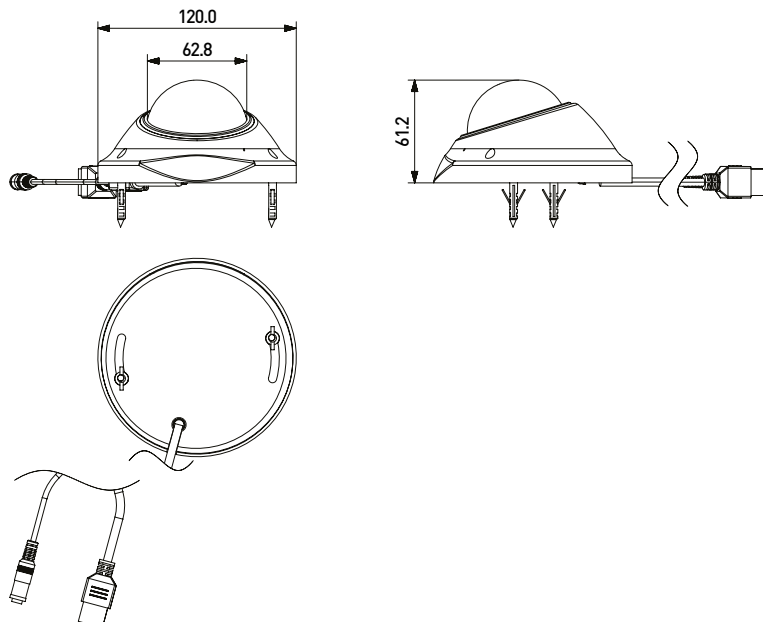


## SPECIFICATION

| Camera               |  |
|----------------------|--|
| Image pick-up device | Sony IMX123 1/2.8" 3.2megapixel CMOS image sensor                              |
| Effective pixel      | 2065(H) x 1553(V) pixels   |
| Scanning system      | Progressive scan   |
| Lens                 | 2.5mm / 3.7mm fixed Lens   |
| Day & night          | Auto / BW / Color  |
| Enhancements         | HDR / BLC  |
| AGC                  | Low / Middle / High  |
| Adjustments          | Brightness / Saturation / Contrast / Sharpness                                 |
| Noise reduction      | 3DNR   |
| S/N ratio            | More than 50dB   |
| Min. illumination    | 2Lux(Color), 1Lux(BW), 0.02Lux(Slow shutter x3)                                |
| Video                |  |
| Compression          | H.264, MJPEG   |
| Streaming            | Simultaneous triple streams  |
|                      | H.264 streaming over UDP, TCP, HTTP or HTTPS                                   |
|                      | MJPEG streaming over HTTP or HTTPS   |
| Resolution           | 640x480, 800x480, 800x600, 1024x768, 1280x720, 1280x1024, 1920x1080, 2048x1536 |
| Frame rate           | HDR off : up to 30fps@2048x1536  |
|                      | HDR on : up to 30fps@1920x1280   |
| Audio                |  |
| Input                | 1ch Input  |
| Compression          | PCM  |

## DIMENSIONS

[Unit : mm]



# WDP-2562M2

## IP Network Camera : Indoor Mini Dome



### FEATURES

- Ideal for indoor monitoring
- Up to 30fps@3Mega resolution (QXGA)
- Triple streaming (H.264 & MJPEG)
- Built-in ICR for true day/night surveillance
- Controllable 8 IR LEDs by photo sensor
- Power over Ethernet (PoE)
- ONMF profile S supported
- Easy, flexible installation on wall or ceiling

| Networking                |  |
|---------------------------|--|
| Interface                 | 10/100 Mbps Ethernet, RJ-45  |
| ONVIF                     | Supported  |
| Protocols                 | IPv4, TCP/IP, HTTP, HTTPS, UPnP, BONJOUR RTP/RTSP, SMTP, FTP, DHCP, NTP, DNS, DDNS, SNMP |
| Users                     | 8 Clients monitoring at the same time  |
| Security                  |  |
| Security                  | Multi-level user access with password protection   |
|                           | IP address filtering   |
|                           | HTTPS encrypted data transmission  |
| Illumination              |  |
| IR LED                    | Controllable 8 IR LEDs by photo sensor   |
| Illuminate distance       | 25 ~ 30 ft   |
| Maintenance               |  |
| Firmware                  | Supports firmware upgrade  |
| Factory reset             | Restores to factory default settings   |
| Applications              |  |
| Application               | SDK available for application development and system integration                         |
| Connectors                |  |
| Ethernet                  | RJ-45 jack   |
| Power input               | 2.1mm DC jack  |
| Power                     |  |
| Power over Ethernet (PoE) | IEEE 802.3af   |
| Power supply              | DC 12V/24V   |
| Power consumption         | Max 3.8W   |
| Environmental             |  |
| Operating temperature     | -10°C ~ +60°C  |
| Humidity                  | 10 ~ 90% RH, non condensing  |
| Dimensions (mm)           | Ø120.0 x 61.2(D)   |
| System                    |  |
| Operating system          | Embedded linux   |

# WDD-80D3MV

IP Network Camera : Indoor Dome

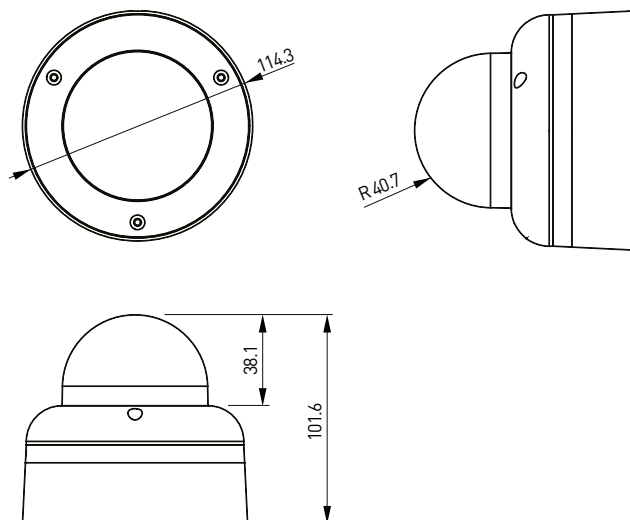


## SPECIFICATION

| Camera               |   |
|----------------------|---|
| Image pick-up device | Sony IMX123 1/2.8" 3.2megapixel CMOS image sensor                               |
| Effective pixel      | 2065(H) x 1553(V) pixels  |
| Scanning system      | Progressive scan  |
| Lens                 | F1.2 2.8-11mm auto iris vari-focal filter change lens (H) 123°~36°, (V) 62°~21° |
| Day & night          | Auto / BW / Color   |
| Enhancements         | HDR / BLC   |
| AGC                  | Low / Middle / High   |
| Adjustments          | Brightness / Saturation / Contrast / Sharpness                                  |
| Noise reduction      | 3DNR  |
| S/N ratio            | More than 50dB  |
| Min. illumination    | 1.0Lux(Color), 0.5Lux(BW), 0.02Lux(Slow shutter x3)                             |
| Video                |   |
| Compression          | H.264, MJPEG  |
| Streaming            | Simultaneous triple streams   |
|                      | H.264 streaming over UDP, TCP, HTTP or HTTPS                                    |
|                      | MJPEG streaming over HTTP or HTTPS  |
| Resolution           | 640x480, 800x480, 800x600, 1024x768, 1280x720, 1280x1024, 1920x1080, 2048x1536  |
| Frame rate           | HDR off : up to 30fps@2048x1536   |
|                      | HDR on : up to 30fps@1920x1280  |
| Audio                |   |
| Input                | 1ch Input/Output (Optional)   |
| Compression          | PCM   |

## DIMENSIONS

[Unit : mm]



# WDD-80D3MV

IP Network Camera : Indoor Dome



## FEATURES

- Ideal for indoor monitoring
- Up to 30fps@3Mega resolution (QXGA)
- Triple streaming (H.264 & MJPEG)
- Built-in ICR for true day/night surveillance
- Controllable 24 IR LEDs by photo sensor
- Power over Ethernet (PoE)
- ONMF profile S supported
- Easy, flexible installation on wall or ceiling

| Networking                |  |
|---------------------------|--|
| Interface                 | 10/100 Mbps Ethernet, RJ-45  |
| ONVIF                     | Supported  |
| Protocols                 | IPv4, TCP/IP, HTTP, HTTPS, UPnP, BONJOUR RTP/RTSP, SMTP, FTP, DHCP, NTP, DNS, DDNS, SNMP |
| Users                     | 8 Clients monitoring at the same time  |
| Security                  |  |
| Security                  | Multi-level user access with password protection   |
|                           | IP address filtering   |
|                           | HTTPS encrypted data transmission  |
| illumination              |  |
| IR LED                    | Controllable 24 IR LEDs by photo sensor  |
| Illuminate distance       | 50 ~ 60 ft   |
| Maintenance               |  |
| Firmware                  | Supports firmware upgrade  |
| Factory reset             | Restores to factory default settings   |
| Applications              |  |
| Application               | SDK available for application development and system integration                         |
| Connectors                |  |
| Ethernet                  | RJ-45 jack   |
| Power input               | 2.1mm DC jack  |
| Audio input/output        | 2x RCA jack (Optional)   |
| Power                     |  |
| Power over Ethernet (PoE) | IEEE 802.3af   |
| Power supply              | DC 12V/24V   |
| Power consumption         | Max 3W @IR-LED off state<br>Max 7W @IR-LED on state                                      |
| Environmental             |  |
| Operating temperature     | -10°C ~ +60°C  |
| Humidity                  | 10 ~ 90% RH, non condensing  |
| Dimensions (mm)           | Ø114.3 x 101.6(D)  |
| System                    |  |
| Operating system          | Embedded linux   |

# WDP-79BS3M

IP Network Camera : Backseat

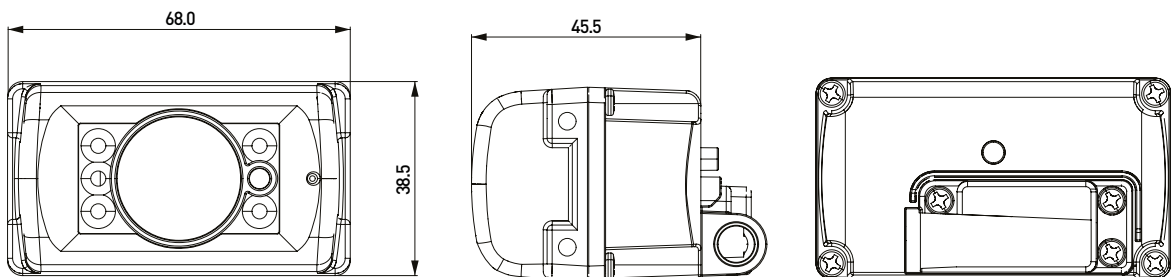


## SPECIFICATION

| Camera               |  |
|----------------------|--|
| Image pick-up device | Sony IMX123 1/2.8" 3.2megapixel CMOS image sensor                              |
| Effective pixel      | 2065(H) x 1553(V) pixels   |
| Scanning system      | Progressive scan   |
| Lens                 | F2.0 2.9mm megapixel fixed board lens  |
| Day & night          | Auto / BW / Color  |
| Enhancements         | HDR / BLC  |
| AGC                  | Low / Middle / High  |
| Adjustments          | Brightness / Saturation / Contrast / Sharpness                                 |
| Noise reduction      | 3DNR   |
| S/N ratio            | More than 50dB   |
| Min. illumination    | 1.0Lux(Color), 0.5Lux(BW), 0.02Lux(Slow shutter x3)                            |
| Video                |  |
| Compression          | H.264, MJPEG   |
| Streaming            | Simultaneous triple streams  |
|                      | H.264 streaming over UDP, TCP, HTTP or HTTPS                                   |
|                      | MJPEG streaming over HTTP or HTTPS   |
| Resolution           | 640x480, 800x480, 800x600, 1024x768, 1280x720, 1280x1024, 1920x1080, 2048x1536 |
| Frame rate           | HDR off : up to 30fps@2048x1536  |
|                      | HDR on : up to 30fps@1920x1280   |
| Audio                |  |
| Input                | Internal C-MIC (-30dB)   |
| Compression          | PCM  |

## DIMENSIONS

[Unit : mm]





# WDP-79BS3M

IP Network Camera : Backseat



## FEATURES

- Ideal for vehicle backseat monitoring
- Up to 30fps@3Mega resolution (QXGA)
- Triple streaming (H.264 & MJPEG)
- Built-in ICR for true day/night surveillance
- Controllable 5 IR LEDs by photo sensor
- Power over Ethernet (PoE)
- ONMF profile S supported

| Networking                |  |
|---------------------------|--|
| Interface                 | 10/100 Mbps Ethernet, RJ-45  |
| ONVIF                     | Supported  |
| Protocols                 | IPv4, TCP/IP, HTTP, HTTPS, UPnP, BONJOUR RTP/RTSP, SMTP, FTP, DHCP, NTP, DNS, DDNS, SNMP |
| Users                     | 8 Clients monitoring at the same time  |
| Security                  |  |
| Security                  | Multi-level user access with password protection   |
|                           | IP address filtering   |
|                           | HTTPS encrypted data transmission  |
| illumination              |  |
| IR LED                    | Controllable 5 IR LEDs by photo sensor   |
| Illuminate distance       | 15 ~ 20 ft   |
| Maintenance               |  |
| Firmware                  | Supports firmware upgrade  |
| Factory reset             | Restores to factory default settings   |
| Applications              |  |
| Application               | SDK available for application development and system integration                         |
| Connectors                |  |
| Ethernet                  | RJ-45 jack   |
| Power input               | 2.1mm DC jack  |
| Power                     |  |
| Power over Ethernet (PoE) | IEEE 802.3af   |
| Power supply              | DC 12V/24V   |
| Power consumption         | Max 3W @IR-LED off state<br>Max 4W @IR-LED on state                                      |
| Environmental             |  |
| Operating temperature     | -20°C ~ +70°C  |
| Humidity                  | 10 ~ 90% RH, non condensing  |
| Dimensions (mm)           | 68.0(W) x 38.5(H) x 45.5(D)  |
| System                    |  |
| Operating system          | Embedded linux   |

# WDP-18TW2M-REV01

2MP 18inch IP Teller Tower Camera

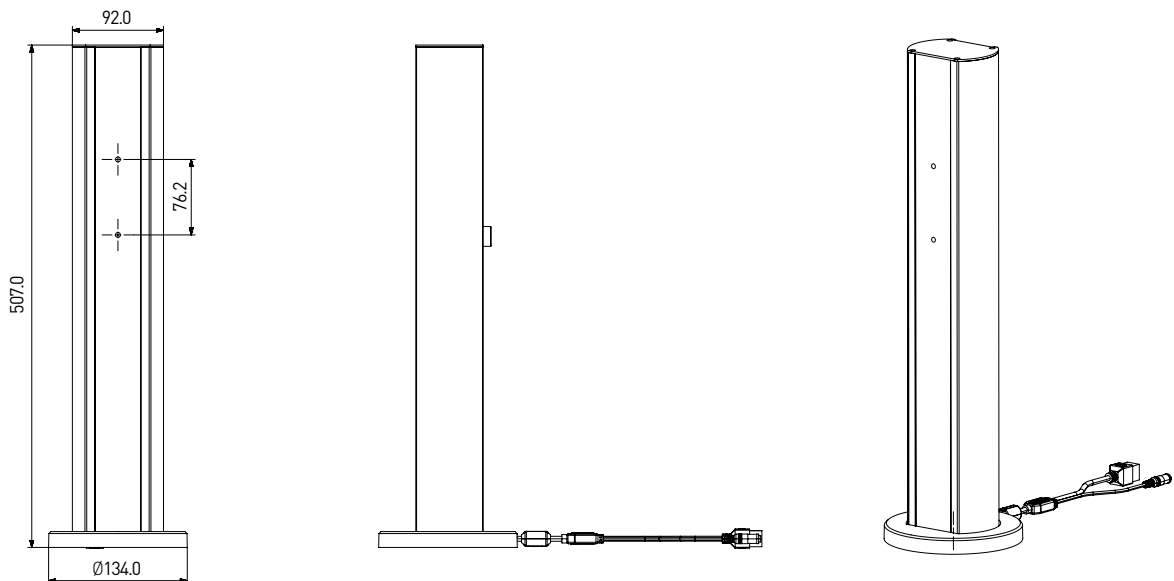


## SPECIFICATION

| Camera                   |   |
|--------------------------|---|
| Image pick-up device     | 1/2.9inch 2.38megapixel full HD CMOS image sensor   |
| Scanning system          | Progressive scan  |
| Lens                     | F2.5 3.7mm megapixel fixed lens, pin-hole type  |
| Electronic shutter speed | Auto / Flicker / NTSC : 1/30 ~ 1/50,000sec / PAL : 1/25 ~ 1/50,000sec   |
| Day & night              | Auto / BW / Color (selectable)  |
| White balance            | AWB / Manual / Indoor / Outdoor   |
| Backlight compensation   | OFF / WDR / BLC / HSBC  |
| AGC                      | Low / Middle / High   |
| Noise reduction          | 2DNR / 3DNR / Smart NR  |
| S/N ratio                | More than 50dB  |
| Min. Illumination        | 1.0 Lux(color), 0.5 Lux(BW)   |
| Video                    |   |
| Compression              | H.264@HP, MJPEG   |
| Streaming                | Simultaneous dual streams<br>H.264 streaming over UDP, TCP, HTTP or HTTPS, MJPEG streaming over HTTP or HTTPS |
| Resolution               | 640x480, 800x480, 800x600, 1024x768, 1280x720, 1280x1024, 1920x1080   |
| Frame rate               | Up to 30fps@1080p   |
| Output                   | CVBS  |

## DIMENSIONS

[Unit : mm]



# WDP-18TW2M-REV01

2MP 18inch IP Teller Tower Camera



## FEATURES

- Sony CMOS Full-HD sensor
- Up to 30fps@1080p (H.264)
- Progressive scan
- Dual streaming (H.264 & MJPEG)
- Power over Ethernet (PoE)
- ONVIF profile S supported

| Audio                     |  |
|---------------------------|--|
| Compression               | G.711 / AAC  |
| Input                     | Internal C-MIC (optional)  |
| Output                    | 1x line out  |
| Networking                |  |
| Interface                 | 10/100 Mbps Ethernet, RJ-45  |
| ONVIF                     | Version 2.2 support  |
| Protocols                 | IPv4, TCP/IP, HTTP, HTTPS, UPnP, BONJOUR RTP/RTSP, SMTP, FTP, DHCP, NTP, DNS, DDNS, SNMP |
| Users                     | 8 Clients monitoring at the same time  |
| Security                  |  |
| Security                  | Multi-level user access with password protection   |
|                           | IP address filtering   |
|                           | HTTPS encrypted data transmission  |
| Maintenance               |  |
| Firmware                  | Supports firmware upgrade  |
| Dual booting              | Support for firmware recovery  |
| Factory reset             | Restores to factory default settings   |
| Applications              |  |
| Application               | SDK available for application development and system integration                         |
| Connectors                |  |
| Ethernet                  | RJ-45 jack   |
| Video output              | DC jack  |
| Audio output              | 1 Stereo phone jack  |
| Trigger in / out          | DC jack  |
| Power input               | 2.1mm DC jack  |
| Power                     |  |
| Power over Ethernet (PoE) | IEEE 802.3af   |
| Power supply              | DC 9~28V   |
| Power consumption         | Max 5W   |
| Environmental             |  |
| Operating temperature     | -10°C ~ +60°C  |
| Humidity                  | 10 ~ 90% RH, non condensing  |
| Dimensions (mm)           | Ø134.0 x 507.0(H)  |
| System                    |  |
| Operating system          | Embedded linux   |

# WDP-5TW2M

5inch IP Teller Tower Camera

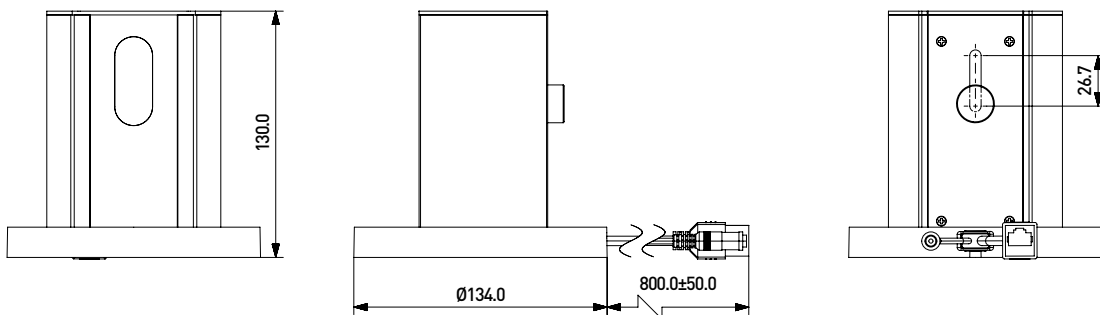


## SPECIFICATION

| Camera                   |  |
|--------------------------|--|
| Image pick-up device     | Sony IMX123 1/2.8" 3.2megapixel CMOS image sensor                              |
| Effective pixel          | 2065(H) x 1553(V) pixels   |
| Scanning system          | Progressive scan   |
| Lens                     | F2.0 focal length 2.9mm, 3MP fixed lens  |
| Electronic shutter speed | Auto / NTSC : 1/30 ~ 1/8,000sec / PAL : 1/25 ~ 1/8,000sec                      |
| Day & night              | Auto / BW / Color  |
| White balance            | ATW / Manual / 2800K / 4000K   |
| Backlight compensation   | WDR / BLC  |
| AGC                      | Off / Low / Middle / High  |
| Adjustments              | Brightness / Saturation / Contrast / Sharpness                                 |
| Noise reduction          | 3DNR   |
| S/N ratio                | More than 50dB   |
| Min. illumination        | 1.0Lux(Color), 0.5Lux(BW)  |
| Video                    |  |
| Compression              | 2 H.264@HP/MP/BP, MJPEG  |
| Streaming                | Simultaneous triple streams  |
|                          | H.264 streaming over UDP, TCP, HTTP or HTTPS                                   |
|                          | MJPEG streaming over HTTP or HTTPS   |
| Resolution               | 640x480, 800x480, 800x600, 1024x768, 1280x720, 1280x1024, 1920x1080, 2048x1536 |
| Frame rate               | up to 30fps@2048x1536  |

## DIMENSIONS

[Unit : mm]



# WDP-5TW2M

5inch IP Teller Tower Camera



## FEATURES

- Sony CMOS Full-HD sensor
- 3 Megapixel fixed lens
- 3D DNR (Digital Noise Reduction)
- Backlight compensation
- Power over ethernet IEEE 802.3af
- Additional function  
(motion detection, mirror, white balance, sharpness, brightness, contrast)

| Processor                 |  |
|---------------------------|--|
| Main processor            | Ambarella S2LM ARM Cortex-A9, 600MHz   |
| Main memory               | DDR3 256MB   |
| Networking                |  |
| Interface                 | 10/100 Mbps Ethernet, RJ-45  |
| ONVIF                     | Support Profile-S  |
| Protocols                 | IPv4, TCP/IP, HTTP, HTTPS, UPnP, BONJOUR RTP/RTSP, SMTP, FTP, DHCP, NTP, DNS, DDNS, SNMP |
| Users                     | 8 Clients monitoring at the same time  |
| Security                  |  |
| Security                  | Multi-level user access with password protection   |
|                           | IP address filtering   |
|                           | HTTPS encrypted data transmission  |
| Maintenance               |  |
| Firmware                  | Supports firmware upgrade  |
| Factory reset             | Restores to factory default settings   |
| Applications              |  |
| Application               | SDK available for application development and system integration                         |
| Connectors                |  |
| Ethernet / PoE            | RJ-45 jack   |
| Power input               | Plug-in DC jack  |
| Power                     |  |
| Power over Ethernet (PoE) | IEEE 802.3af   |
| Power supply              | DC 9~28V   |
| Power consumption         | Max 3W   |
| Environmental             |  |
| Operating temperature     | -20°C ~ +70°C  |
| Humidity                  | 0 ~ 90% RH, non condensing   |
| Dimensions (mm)           | Ø134.0 x 130.0(H)  |

# WDP-4602MXVA

3MP IP Height-Strip Camera

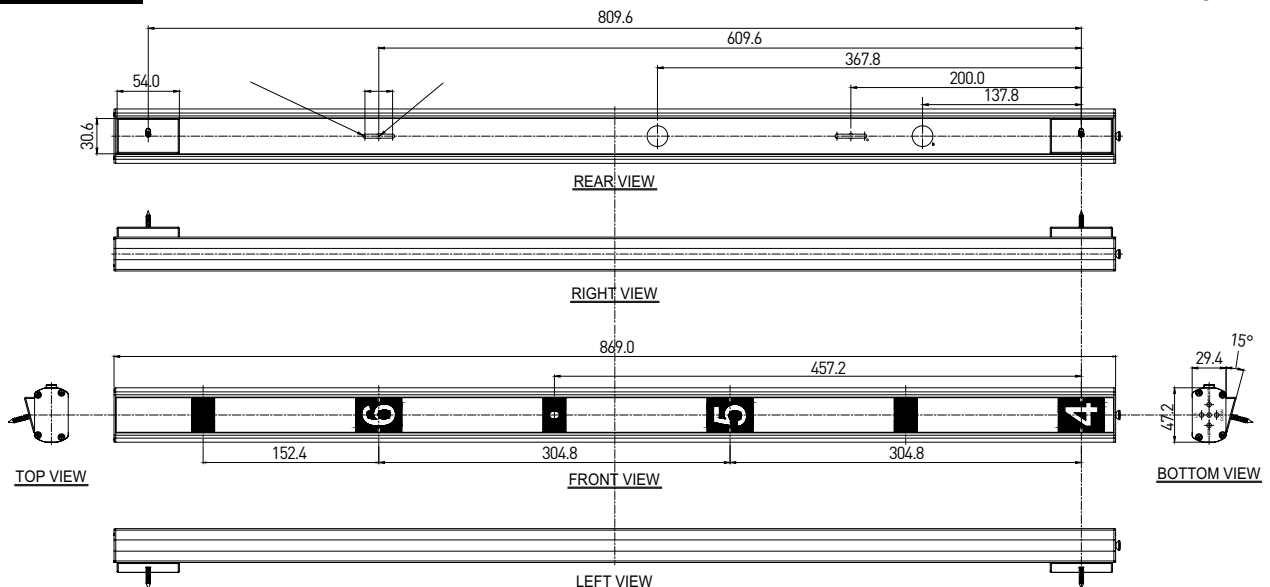


## SPECIFICATION

| Camera                   |  |
|--------------------------|--|
| Image pick-up device     | Sony IMX123 1/2.8" 3.2megapixel CMOS image sensor                              |
| Effective pixel          | 2065(H) x 1553(V) pixels   |
| Scanning system          | Progressive scan   |
| Lens                     | F2.5, Focal length 3.7mm, 2megapixel covert lens, Pin-Hole type                |
| Electronic shutter speed | Auto / NTSC : 1/30sec ~ 1/8,000sec / PAL : 1/25sec ~ 1/8,000sec                |
| Day & night              | Auto / BW / Color  |
| White balance            | ATW / Manual / 2800K / 4000K   |
| Backlight compensation   | WDR / BLC  |
| AGC                      | Off / Low / Middle / High  |
| Adjustments              | Brightness / Saturation / Contrast / Sharpness                                 |
| Noise reduction          | 3DNR   |
| S/N ratio                | More than 50dB   |
| Min. illumination        | 1.0Lux(Color), 0.5Lux(BW)  |
| Video                    |  |
| Compression              | 2 H.264@HP/MP/BP, MJPEG  |
| Streaming                | Simultaneous triple streams  |
|                          | H.264 streaming over UDP, TCP, HTTP or HTTPS                                   |
|                          | MJPEG streaming over HTTP or HTTPS   |
| Resolution               | 640x480, 800x480, 800x600, 1024x768, 1280x720, 1280x1024, 1920x1080, 2048x1536 |
| Frame rate               | up to 30fps@2048x1536  |
| Audio                    |  |
| Compression              | G.711 (PCM)  |
| Input                    | Internal C-MIC   |
| Output                   | 1x line out  |

## DIMENSIONS

[Unit : mm]



# WDP-4602MXVA

## 3MP IP Height-Strip Camera



| Processor                 |   |
|---------------------------|---|
| Main processor            | Ambarella S2LM ARM Cortex-A9, 600MHz  |
| Main memory               | DDR3 256MB  |
| Networking                |   |
| Interface                 | 10/100 Mbps Ethernet, RJ-45   |
| ONVIF                     | Support Profile-S   |
| Protocols                 | IPv4, TCP/IP, HTTP, HTTPS, UPnP, BONJOUR RTP/RTSP, SMTP, FTP, DHCP, NTP, DNS, DDNS, SNMP                      |
| Users                     | 8 Clients monitoring at the same time   |
| Security                  |   |
| Security                  | Multi-level user access with password protection<br>IP address filtering<br>HTTPS encrypted data transmission |
| Maintenance               |   |
| Firmware                  | Supports firmware upgrade   |
| Factory reset             | Restores to factory default settings  |
| Applications              |   |
| Application               | SDK available for application development and system integration  |
| Connectors                |   |
| Ethernet / PoE            | RJ-45 jack  |
| Power input               | Plug-in DC jack   |
| Audio output              | 1 Stereo phone jack   |
| Video output              | 1x BNC jack   |
| Sensor In / alarm out     | 4P Strip wire   |
| Power                     |   |
| Power over Ethernet (PoE) | IEEE 802.3af  |
| Power supply              | DC 9~28V  |
| Power consumption         | Max 3W  |
| Environmental             |   |
| Operating temperature     | -20°C ~ +70°C   |
| Humidity                  | 0 ~ 90% RH, non condensing  |
| Dimensions (mm)           | 47.2(W) x 869.0(H) x 29.4(D)  |

### FEATURES

- Sony CMOS Full-HD sensor
- Megapixel covert lens
- 3D DNR (Digital Noise Reduction)
- Backlight compensation
- Power over Ethernet IEEE 802.3af
- Additional function  
(motion detection, mirror, white balance, sharpness, brightness, contrast)



# WDP-4608MXVA

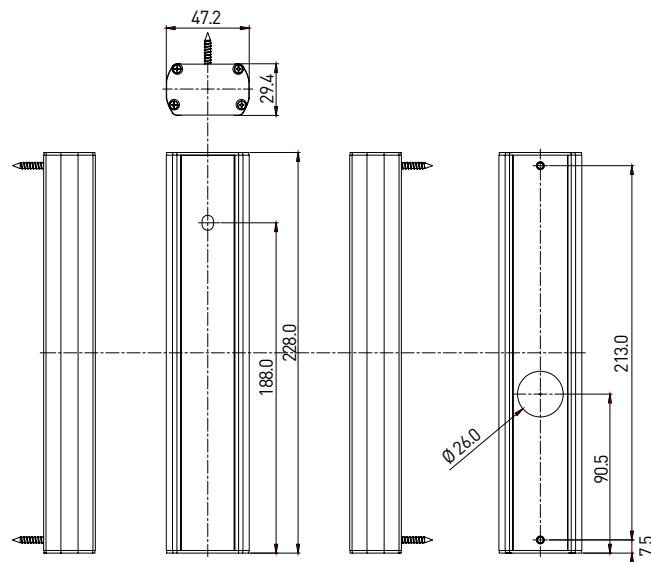
3MP 8inch IP Height-Strip Camera



## SPECIFICATION

| Camera                   |  |
|--------------------------|--|
| Image pick-up device     | Sony IMX123 1/2.8" 3.2megapixel CMOS image sensor                              |
| Effective pixel          | 2065(H) x 1553(V) pixels   |
| Scanning system          | Progressive scan   |
| Lens                     | F2.5, Focal length 3.7mm, 2megapixel covert lens, Pin-Hole type                |
| Electronic shutter speed | Auto / NTSC : 1/30sec ~ 1/8,000sec / PAL : 1/25sec ~ 1/8,000sec                |
| Day & night              | Auto / BW / Color  |
| White balance            | ATW / Manual / 2800K / 4000K   |
| Backlight compensation   | WDR / BLC  |
| AGC                      | Off / Low / Middle / High  |
| Adjustments              | Brightness / Saturation / Contrast / Sharpness                                 |
| Noise reduction          | 3DNR   |
| S/N ratio                | More than 50dB   |
| Min. Illumination        | 1.0Lux(Color), 0.5Lux(BW)  |
| Video                    |  |
| Compression              | 2 H.264@HP/MP/BP, MJPEG  |
| Streaming                | Simultaneous triple streams  |
|                          | H.264 streaming over UDP, TCP, HTTP or HTTPS                                   |
|                          | MJPEG streaming over HTTP or HTTPS   |
| Resolution               | 640x480, 800x480, 800x600, 1024x768, 1280x720, 1280x1024, 1920x1080, 2048x1536 |
| Frame rate               | up to 30fps@2048x1536  |
| Audio                    |  |
| Compression              | G.711 (PCM)  |
| Input                    | Internal C-MIC   |
| Output                   | 1x line out  |

## DIMENSIONS



[Unit : mm]

# WDP-4608MXVA

3MP 8inch IP Height-Strip Camera



## FEATURES

- Sony CMOS Full-HD sensor
- Megapixel covert lens
- 3D DNR (Digital Noise Reduction)
- Backlight compensation
- Power over Ethernet IEEE 802.3af
- Additional function  
(motion detection, mirror, white balance, sharpness, brightness, contrast)

| Processor                 |  |
|---------------------------|--|
| Main processor            | Ambarella S2LM ARM Cortex-A9, 600MHz   |
| Main memory               | DDR3 256MB   |
| Networking                |  |
| Interface                 | 10/100 Mbps Ethernet, RJ-45  |
| ONVIF                     | Support Profile-S  |
| Protocols                 | IPv4, TCP/IP, HTTP, HTTPS, UPnP, BONJOUR RTP/RTSP, SMTP, FTP, DHCP, NTP, DNS, DDNS, SNMP |
| Users                     | 8 Clients monitoring at the same time  |
| Security                  |  |
| Security                  | Multi-level user access with password protection   |
|                           | IP address filtering   |
|                           | HTTPS encrypted data transmission  |
| Maintenance               |  |
| Firmware                  | Supports firmware upgrade  |
| Factory reset             | Restores to factory default settings   |
| Applications              |  |
| Application               | SDK available for application development and system integration                         |
| Connectors                |  |
| Ethernet / PoE            | RJ-45 jack   |
| Power input               | Plug-in DC jack  |
| Audio output              | 1 Stereo phone jack  |
| Video output              | 1x BNC jack  |
| Sensor In / alarm out     | 4P Strip wire  |
| Power                     |  |
| Power over Ethernet (PoE) | IEEE 802.3af   |
| Power supply              | DC 9~28V   |
| Power consumption         | Max 3W   |
| Environmental             |  |
| Operating temperature     | -20°C ~ +70°C  |
| Humidity                  | 0 ~ 90% RH, non condensing   |
| Dimensions (mm)           | 47.2(W) x 228.0(H) x 29.4(D)   |

# WDP-82FD2M-REV01

2MP IP FDIC Covert Camera

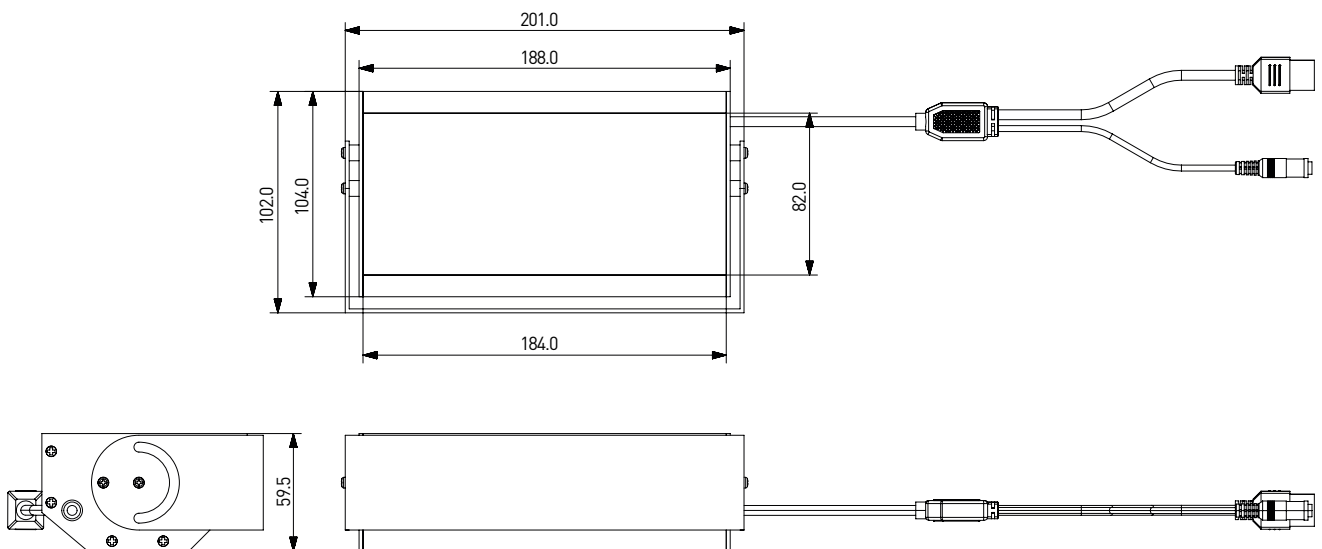


## SPECIFICATION

| Camera                   |   |
|--------------------------|---|
| Image pick-up device     | 1/2.9inch 2.38megapixel full HD CMOS image sensor   |
| Scanning system          | Progressive scan  |
| Lens                     | F2.5 3.7mm megapixel covert lens, pin-hole type   |
| Electronic shutter speed | Auto / Flicker / NTSC : 1/30 ~ 1/50,000sec / PAL : 1/25 ~ 1/50,000sec   |
| Day & night              | Auto / BW / Color (selectable)  |
| White balance            | AWB / Manual / Indoor / Outdoor   |
| Backlight compensation   | OFF / WDR / BLC / HSBC  |
| AGC                      | Low / Middle / High   |
| Noise reduction          | 2DNR / 3DNR / Smart NR  |
| S/N ratio                | More than 50dB  |
| Min. Illumination        | 1.0 Lux(color), 0.5 Lux(BW)   |
| Video                    |   |
| Compression              | H.264@HP, MJPEG   |
| Streaming                | Simultaneous dual streams<br>H.264 streaming over UDP, TCP, HTTP or HTTPS, MJPEG streaming over HTTP or HTTPS |
| Resolution               | 640x480, 800x480, 800x600, 1024x768, 1280x720, 1280x1024, 1920x1080   |
| Frame rate               | Up to 30fps@1080p   |
| Output                   | CVBS  |

## DIMENSIONS

[Unit : mm]



# WDP-82FD2M-REV01

2MP IP FDIC Covert Camera



## FEATURES

- Sony CMOS Full-HD sensor
- 2 Megapixel full HD IP FDIC camera
- Up to 30fps@1080p (H.264)
- Progressive scan
- Dual streaming (H.264 & MJPEG)
- Power over Ethernet (PoE)
- Covert design
- ONMF profile S supported

| Audio                     |  |
|---------------------------|--|
| Compression               | G.711 (PCM)  |
| Input                     | Internal C-MIC (optional)  |
| Output                    | 1x line out  |
| Networking                |  |
| Interface                 | 10/100 Mbps Ethernet, RJ-45  |
| ONVIF                     | Version 2.2 support  |
| Protocols                 | IPv4, TCP/IP, HTTP, HTTPS, UPnP, BONJOUR RTP/RTSP, SMTP, FTP, DHCP, NTP, DNS, DDNS, SNMP |
| Users                     | 8 Clients monitoring at the same time  |
| Security                  |  |
| Security                  | Multi-level user access with password protection   |
|                           | IP address filtering   |
|                           | HTTPS encrypted data transmission  |
| Maintenance               |  |
| Firmware                  | Supports firmware upgrade  |
| Dual booting              | Support for firmware recovery  |
| Factory reset             | Restores to factory default settings   |
| Applications              |  |
| Application               | SDK available for application development and system integration                         |
| Connectors                |  |
| Ethernet                  | RJ-45 jack   |
| Video output              | BNC jack   |
| Audio output              | 1 Stereo phone jack  |
| Trigger in / out          | 4P Strip wire  |
| Power input               | 2.1mm DC jack  |
| Power                     |  |
| Power over Ethernet (PoE) | IEEE 802.3af   |
| Power supply              | DC 9~28V   |
| Power consumption         | Max 5W   |
| Environmental             |  |
| Operating temperature     | -10°C ~ +60°C  |
| Humidity                  | 10 ~ 90% RH, non condensing  |
| Dimensions (mm)           | 201.0(W) x 102.0(H) x 59.5(D)  |
| System                    |  |
| Operating system          | Embedded linux   |

# WDP-82FD3MA

3MP IP FDIC Covert Camera

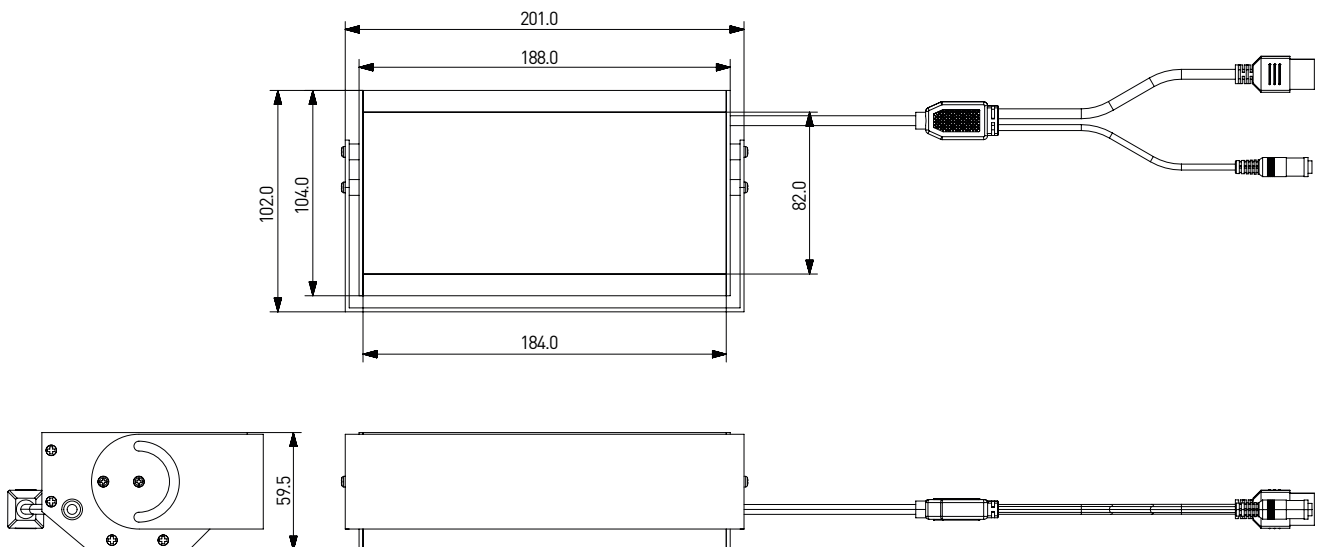


## SPECIFICATION

| Camera                   |  |
|--------------------------|--|
| Image pick-up device     | Sony IMX123 1/2.8" 3.2megapixel CMOS image sensor                              |
| Effective pixel          | 2065(H) x 1553(V) pixels   |
| Scanning system          | Progressive scan   |
| Lens                     | F2.5, Focal length 3.7mm, 2megapixel covert lens, Pin-Hole type                |
| Electronic shutter speed | Auto / NTSC : 1/30sec ~ 1/8,000sec / PAL : 1/25sec ~ 1/8,000sec                |
| Day & night              | Auto / BW / Color  |
| White balance            | ATW / Manual / 2800K / 4000K   |
| Backlight compensation   | WDR / BLC  |
| AGC                      | Off / Low / Middle / High  |
| Adjustments              | Brightness / Saturation / Contrast / Sharpness                                 |
| Noise reduction          | 3DNR   |
| S/N ratio                | More than 50dB   |
| Min. illumination        | 1.0Lux(Color), 0.5Lux(BW)  |
| Video                    |  |
| Compression              | 2 H.264@HP/MP/BP, MJPEG  |
| Streaming                | Simultaneous triple streams  |
|                          | H.264 streaming over UDP, TCP, HTTP or HTTPS                                   |
|                          | MJPEG streaming over HTTP or HTTPS   |
| Resolution               | 640x480, 800x480, 800x600, 1024x768, 1280x720, 1280x1024, 1920x1080, 2048x1536 |
| Frame rate               | up to 30fps@2048x1536  |

## DIMENSIONS

[Unit : mm]



# WDP-82FD3MA

## 3MP IP FDIC Covert Camera



### FEATURES

- Sony CMOS Full-HD sensor
- Megapixel covert lens
- 3D DNR (Digital Noise Reduction)
- Backlight compensation
- Power over Ethernet IEEE 802.3af
- Additional function (motion detection, mirror, white balance, sharpness, brightness, contrast)

| Audio                     |  |
|---------------------------|--|
| Compression               | G.711 (PCM)  |
| Input                     | Internal C-MIC   |
| Output                    | 1x line out  |
| Processor                 |  |
| Main processor            | Ambarella S2LM ARM Cortex-A9, 600MHz   |
| Main memory               | DDR3 256MB   |
| Networking                |  |
| Interface                 | 10/100 Mbps Ethernet, RJ-45  |
| ONVIF                     | Support Profile-S  |
| Protocols                 | IPv4, TCP/IP, HTTP, HTTPS, UPnP, BONJOUR RTP/RTSP, SMTP, FTP, DHCP, NTP, DNS, DDNS, SNMP |
| Users                     | 8 Clients monitoring at the same time  |
| Security                  |  |
| Security                  | Multi-level user access with password protection   |
|                           | IP address filtering   |
|                           | HTTPS encrypted data transmission  |
| Maintenance               |  |
| Firmware                  | Supports firmware upgrade  |
| Factory reset             | Restores to factory default settings   |
| Applications              |  |
| Application               | SDK available for application development and system integration                         |
| Connectors                |  |
| Ethernet / PoE            | RJ-45 jack   |
| Power input               | Plug-in DC jack  |
| Audio output              | 1 Stereo phone jack  |
| Video output              | 1x BNC jack  |
| Sensor in / alarm out     | 4P Strip wire  |
| Power                     |  |
| Power over Ethernet (PoE) | IEEE 802.3af   |
| Power supply              | DC 9~28V   |
| Power consumption         | Max 3W   |
| Environmental             |  |
| Operating temperature     | -20°C ~ +70°C  |
| Humidity                  | 0 ~ 90% RH, non condensing   |
| Dimensions (mm)           | 201.0(W) x 102.0(H) x 59.5(D)  |

# WDP-82NCUA-REV01

2MP IP NCUA Covert Camera

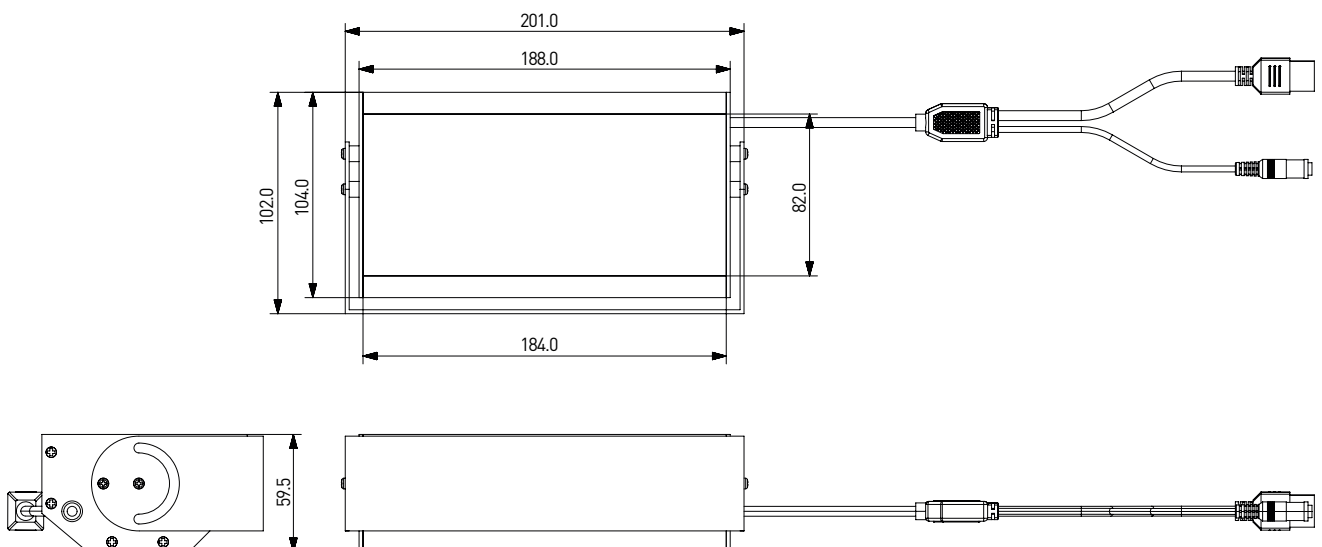


## SPECIFICATION

| Camera                   |   |
|--------------------------|---|
| Image pick-up device     | 1/2.9inch 2.38megapixel full HD CMOS image sensor   |
| Scanning system          | Progressive scan  |
| Lens                     | F2.5 3.7mm megapixel covert lens, pin-hole type   |
| Electronic shutter speed | Auto / Flicker / NTSC : 1/30 ~ 1/50,000sec / PAL : 1/25 ~ 1/50,000sec   |
| Day & night              | Auto / BW / Color (selectable)  |
| White balance            | AWB / Manual / Indoor / Outdoor   |
| Backlight compensation   | OFF / WDR / BLC / HSBLCL  |
| AGC                      | Low / Middle / High   |
| Noise reduction          | 2DNR / 3DNR / Smart NR  |
| S/N ratio                | More than 50dB  |
| Min. illumination        | 1.0 Lux(color), 0.5 Lux(BW)   |
| Video                    |   |
| Compression              | H.264@HP, MJPEG   |
| Streaming                | Simultaneous dual streams<br>H.264 streaming over UDP, TCP, HTTP or HTTPS, MJPEG streaming over HTTP or HTTPS |
| Resolution               | 640x480, 800x480, 800x600, 1024x768, 1280x720, 1280x1024, 1920x1080   |
| Frame rate               | Up to 30fps@1080p   |
| Output                   | CVBS  |
| Audio                    |   |
| Input / compression      | G.711/AAC   |
| Input                    | Internal C-MIC (optional)   |
| Output                   | 1x line out   |

## DIMENSIONS

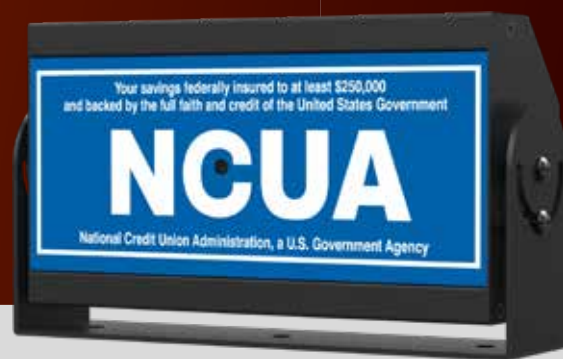
[Unit : mm]





# WDP-82NCUA-REV01

2MP IP NCUA Covert Camera



## FEATURES

- Sony CMOS Full-HD sensor
- Up to 30fps@1080p (H.264)
- Progressive scan
- Dual streaming (H.264 & MJPEG)
- Power over Ethernet (PoE)
- Covert design
- ONMF profile S supported

| Networking                |  |
|---------------------------|--|
| Interface                 | 10/100 Mbps Ethernet, RJ-45  |
| ONVIF                     | Version 2.2 support  |
| Protocols                 | IPv4, TCP/IP, HTTP, HTTPS, UPnP, BONJOUR RTP/RTSP, SMTP, FTP, DHCP, NTP, DNS, DDNS, SNMP |
| Users                     | 8 Clients monitoring at the same time  |
| Security                  |  |
| Security                  | Multi-level user access with password protection   |
|                           | IP address filtering   |
|                           | HTTPS encrypted data transmission  |
| Maintenance               |  |
| Firmware                  | Supports firmware upgrade  |
| Dual booting              | Support for firmware recovery  |
| Factory reset             | Restores to factory default settings   |
| Applications              |  |
| Application               | SDK available for application development and system integration                         |
| Connectors                |  |
| Ethernet                  | RJ-45 jack   |
| Video output              | BNC jack   |
| Audio output              | 1 Stereo phone jack  |
| Trigger in / out          | 4P Strip wire  |
| Power input               | 2.1mm DC jack  |
| Power                     |  |
| Power over Ethernet (PoE) | IEEE 802.3af   |
| Power supply              | DC 9~28V   |
| Power consumption         | Max 5W   |
| Environmental             |  |
| Operating temperature     | -10°C ~ +60°C  |
| Humidity                  | 10 ~ 90% RH, non condensing  |
| Dimensions (mm)           | 201.0(W) x 102.0(H) x 59.5(D)  |

# WDP-84ML2M-REV01 Series

2MP Full HD IP Mullion Camera



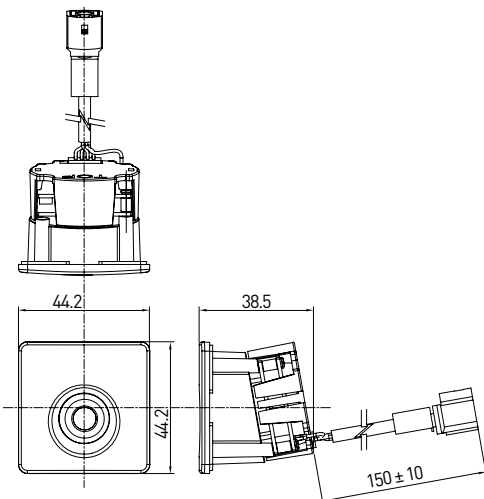
## SPECIFICATION

| Camera                   |   |
|--------------------------|---|
| Image pick-up device     | 1/2.9inch 2.38megapixel full HD CMOS image sensor   |
| Scanning system          | Progressive scan  |
| Lens                     | 2.9mm 3megapixel fixed lens   |
| Electronic shutter speed | Auto / Flicker / NTSC : 1/30 ~ 1/50,000sec / PAL : 1/25 ~ 1/50,000sec   |
| Day & night              | Auto / BW / Color (selectable)  |
| White balance            | AWB / Manual / Indoor / Outdoor   |
| Backlight compensation   | OFF / WDR / BLC / HSBC  |
| AGC                      | Low / Middle / High   |
| Adjustments              | White balance / Exposure control / Color, Brightness / Sharpness  |
| Noise reduction          | 2DNR / 3DNR / Smart NR  |
| S/N ratio                | More than 50dB  |
| Min. Illumination        | 1.0 Lux(color), 0.5 Lux(BW)   |
| Video                    |   |
| Compression              | H.264@HP, MJPEG   |
| Streaming                | Simultaneous dual streams<br>H.264 streaming over UDP, TCP, HTTP or HTTPS, MJPEG streaming over HTTP or HTTPS |
| Resolution               | 640x480, 800x480, 800x600, 1024x768, 1280x720, 1280x1024, 1920x1080   |
| Frame rate               | up to 30fps@1080p   |

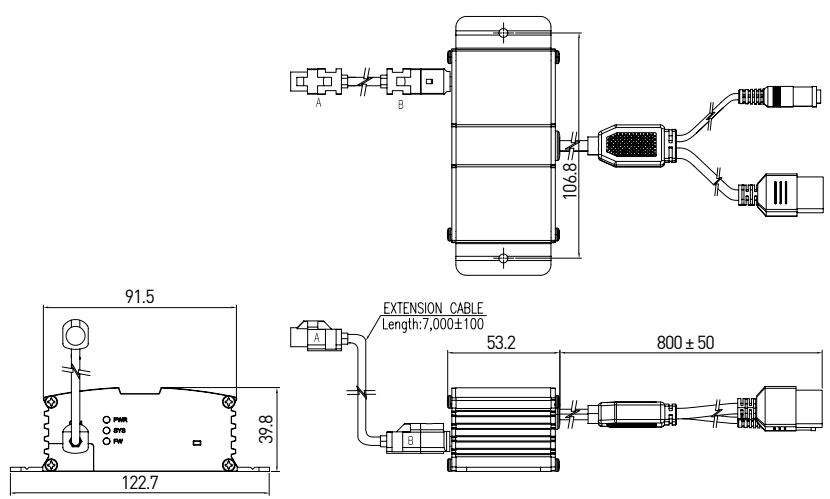
## DIMENSIONS

[Unit : mm]

[Camera unit]



[Main unit]



# WDP-84ML2M-REV01 Series

2 MP Full HD IP Mullion Camera



| Networking                |  |
|---------------------------|--|
| Interface                 | 10/100 Mbps Ethernet, RJ-45  |
| ONVIF                     | Version 2.2 support  |
| Protocols                 | IPv4, TCP/IP, HTTP, HTTPS, UPnP, BONJOUR RTP/RTSP, SMTP, FTP, DHCP, NTP, DNS, DDNS, SNMP                                       |
| Users                     | 8 Clients monitoring at the same time  |
| Security                  |  |
| Security                  | Multi-level user access with password protection   |
|                           | IP address filtering   |
|                           | HTTPS encrypted data transmission  |
| Maintenance               |  |
| Firmware                  | Supports firmware upgrade  |
| Dual booting              | Support for firmware recovery  |
| Factory reset             | Restores to factory default settings   |
| Application               |  |
| Application               | SDK available for application development and system integration   |
| LED indicators            |  |
| System status             | Normal operation, firmware upgrade, network unlinked<br>no connection of camera unit, system startup                           |
| Factory reset             | Factory resetting  |
| Power status              | Power on / off   |
| Connectors                |  |
| Ethernet                  | RJ-45 jack   |
| Power input               | DC jack  |
| Camera input              | USB STP cable, max length = 23feets, impedance 100ohm  |
| Power                     |  |
| Power over Ethernet (PoE) | IEEE 802.3af   |
| Power supply              | DC 9~28V   |
| Power consumption         | Max 6.5W   |
| Environmental             |  |
| Operating temperature     | -30°C ~ +60°C  |
| Humidity                  | 10 ~ 90% RH, non condensing  |
| Dimensions (mm)           | Camera unit : 44.2(W) x 44.2(H) x 38.5(D)<br>Main unit : 122.7(W) x 39.8(H) x 53.2(D)<br>Extension cable length : 7000.0 ± 100 |

## FEATURES

- Sony CMOS Full-HD sensor
- Up to 30fps@1080p (H.264)
- Progressive scan
- Dual streaming (H.264 & MJPEG)
- Power over Ethernet (PoE)
- ONMF profile S supported

## COLOR VARIATION



WDP-84ML2M-BK



WDP-84ML2M-BR



WDP-84ML2M-SL



WDP-84ML2M-WH

# **WELDEX**

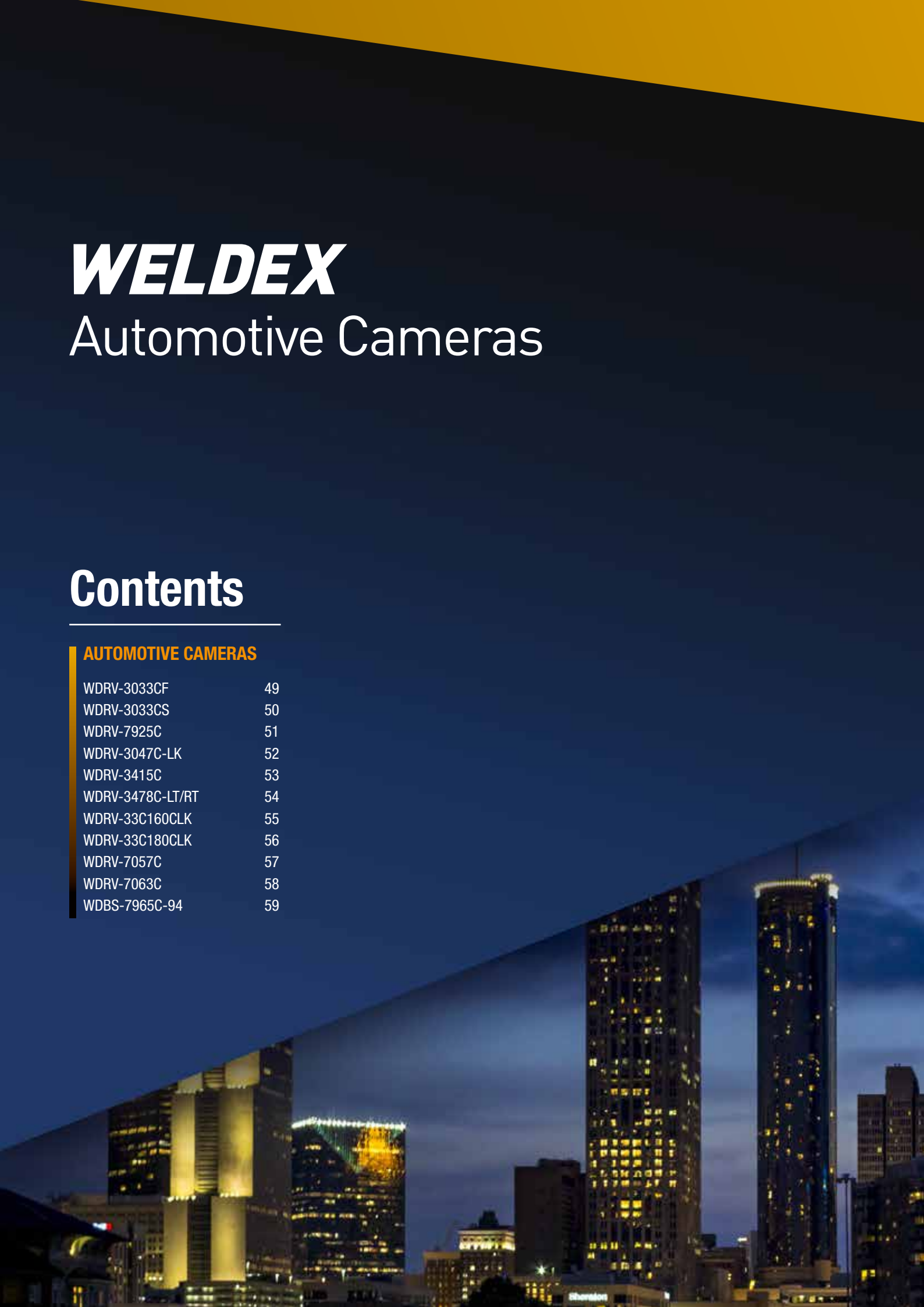
## Automotive Cameras

### Contents

---

#### **AUTOMOTIVE CAMERAS**

|                  |    |
|------------------|----|
| WDRV-3033CF      | 49 |
| WDRV-3033CS      | 50 |
| WDRV-7925C       | 51 |
| WDRV-3047C-LK    | 52 |
| WDRV-3415C       | 53 |
| WDRV-3478C-LT/RT | 54 |
| WDRV-33C160CLK   | 55 |
| WDRV-33C180CLK   | 56 |
| WDRV-7057C       | 57 |
| WDRV-7063C       | 58 |
| WDBS-7965C-94    | 59 |





**WELDEX**  
CORPORATION





# WDRV-3033CF

Color Auto-Heated IR Infrared Cyber Camera



## SPECIFICATION

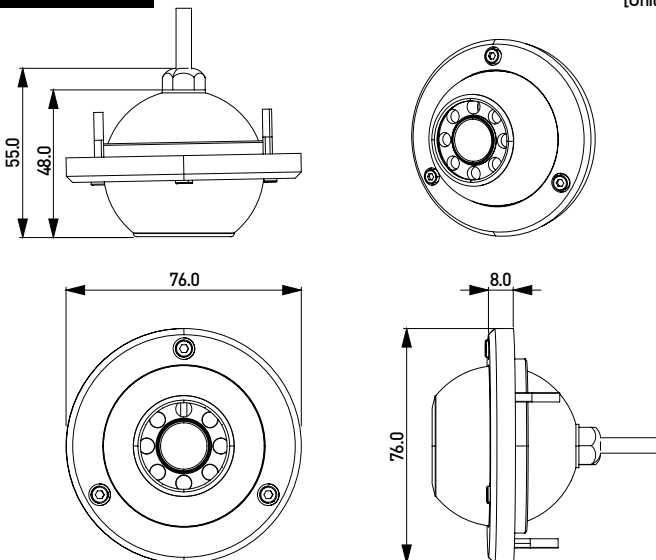
|                       |  |
|-----------------------|--|
| Image pick-up device  | 1/3" SONY Super HAD (270K pixels)        |
| Effective pixel       | NTSC (525TVL) : 512(H) x 492(V)          |
|                       | PAL (625TVL) : 512(H) x 582(V)           |
| Scanning system       | 2:1 interlaced                           |
| Lens                  | STD lens : fixed 2.45mm lens             |
| Resolution            | NTSC / PAL 380TVL                        |
| Scanning frequency    | Horizontal :15,734Hz, Vertical : 59.94Hz |
| Video output level    | 1.0 Vp-p (75Ω Composite)                 |
| Gamma                 | r = 0.45                                 |
| Day & night           | Auto / BW / Color                        |
| White balance         | 2100°K ~ 9100°K - Auto                   |
| Digital function      | NR / BLC                                 |
| S/N ratio             | More than 50dB (AGC off)                 |
| Min. illumination     | 0.5 Lux (IR LED off)                     |
| IR LED                | Visible 5mm diameter (85Ω, 30°) x 7ea    |
| Visibility range      | Real 4 meter (approx.13 Feet)            |
| CDS sensor            | IR LED on/off at 5 Lux                   |
| Auto defog            | Auto heater system                       |
| Cable                 | Round din 4Pin locking type (USA)        |
|                       | Round din 6Pin locking type (EURO)       |
| Power source          | DC 12V / 120mA (max 300mA)               |
| Operating temperature | -20°C ~ +70°C                            |
| Humidity              | 10% ~ 95% RH                             |
| Weight (approx.)      | 160g                                     |
| Dimensions (mm)       | 76.0(W) x 76.0(H) x 55.0(D)              |

## FEATURES

- High performance color camera
- Extremely high quality picture in low light environments with the built-in IR LEDs
- Automatic heating when the temperature is below +10°C
- Easy installation & adjustment by smart design for automotive purposes (side view, rear view, etc.)
- 145° viewing angle (diagonally measured)
- Built-in microphone
- E approval
- Waterproof (IP67)

## DIMENSIONS

[Unit : mm]



ANALOG CAMERA  
IP CAMERA  
AUTOMOTIVE CAMERA

# WDRV-3033CS

Color Auto-Heated IR Infrared Cyber Camera

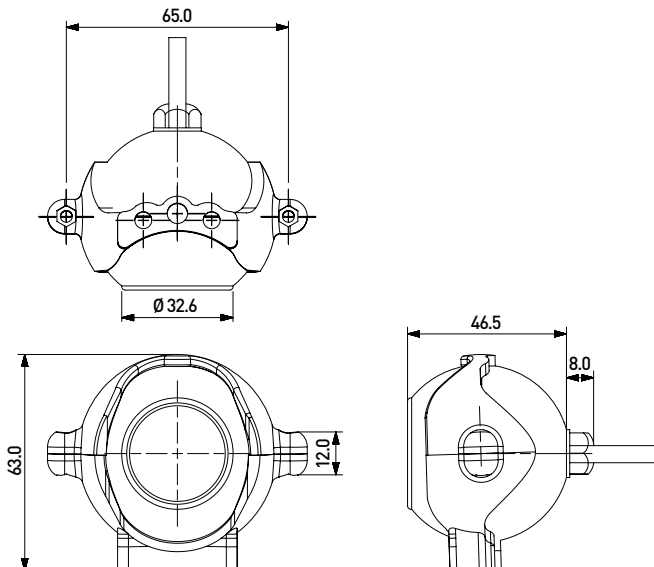


## SPECIFICATION

|                       |  |
|-----------------------|--|
| Image pick-up device  | 1/3" SONY Super HAD (270K pixels)        |
| Effective pixel       | NTSC (525TVL) : 512(H) x 492(V)          |
|                       | PAL (625TVL) : 512(H) x 582(V)           |
| Scanning system       | 2:1 interlaced                           |
| Lens                  | STD lens : fixed 2.45mm lens             |
| Resolution            | NTSC / PAL 380TVL                        |
| Scanning frequency    | Horizontal :15,734Hz, Vertical : 59.94Hz |
| Video output level    | 1.0 Vp-p (75Ω Composite)                 |
| Gamma                 | r = 0.45                                 |
| Day & night           | Auto / BW / Color                        |
| White balance         | 2100°K ~ 9100°K - Auto                   |
| Digital function      | NR / BLC                                 |
| S/N ratio             | More than 50dB (AGC off)                 |
| Min. illumination     | 0.5 Lux (IR LED off)                     |
| IR LED                | Visible 5mm diameter (85°, 30°) x 7ea    |
| Visibility range      | Real 4 meter (approx.13 Feet)            |
| CDS sensor            | IR LED on/off at 5 Lux                   |
| Auto defog            | Auto heater system                       |
| Cable                 | Round din 4Pin locking type (USA)        |
|                       | Round din 6Pin locking type (EURO)       |
| Power source          | DC 12V / 120mA (max 300mA)               |
| Operating temperature | -20°C ~ +70°C                            |
| Humidity              | 10% ~ 95% RH                             |
| Weight (approx.)      | 160g                                     |
| Dimensions (mm)       | 65.0(W) x 63.0(H) x 46.5(D)              |

## DIMENSIONS

[Unit : mm]



## FEATURES

- High performance color camera
- Extremely high quality picture in low light environments with the built-in IR LEDs
- Automatic heating when the temperature is below +10°C
- Easy installation & adjustment by smart design for automotive purposes (side view, rear view, etc.)
- 145° viewing angle (diagonally measured)
- Built-in microphone
- E approval
- Waterproof (IP67)



# WDRV-7925C

Compact Color Back-up Camera



## SPECIFICATION

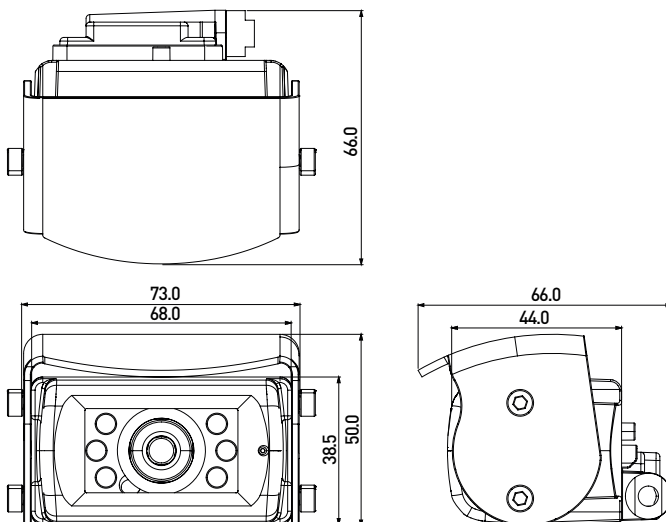
|                       |  |
|-----------------------|--|
| Image pick-up device  | 1/3" Color SONY Exmor                      |
| Scanning system       | 2:1 interlaced                             |
| Lens                  | STD lens : 2.7mm                           |
| Resolution            | 700TVL                                     |
| Video output          | CVBS                                       |
| Video output level    | 1.0Vp-p (75Ω Composite)                    |
| Gamma                 | r=0.45                                     |
| Day & night           | Auto / BW / Color                          |
| White balance         | AWB  |
| Digital function      | NR / BLC                                   |
| S/N ratio             | More than 50dB (AGC off)                   |
| Min. illumination     | 0.5 Lux (IR LED off)                       |
| Audio                 | With audio                                 |
| Cable                 | 4-pin locking connector                    |
| Power source          | DC 12V / 120mA (LED on : 250mA), LED : 6ea |
| Operating temperature | -20°C ~ +60°C                              |
| Humidity              | 10% ~ 95% RH                               |
| Dimensions (mm)       | 68.0(W) x 38.5(H) x 66.0(D)                |

## FEATURES

- 1/3" SONY Exmor
- Normal or mirror image
- Integrated audio
- Built-in IR LED
- U-shape bracket
- 4-pin locking type connector
- Waterproof

## DIMENSIONS

[Unit : mm]



ANALOG CAMERA  
IP CAMERA  
AUTOMOTIVE CAMERA

# WDRV-3047C-LK

Compact Color Back-up Camera



## SPECIFICATION

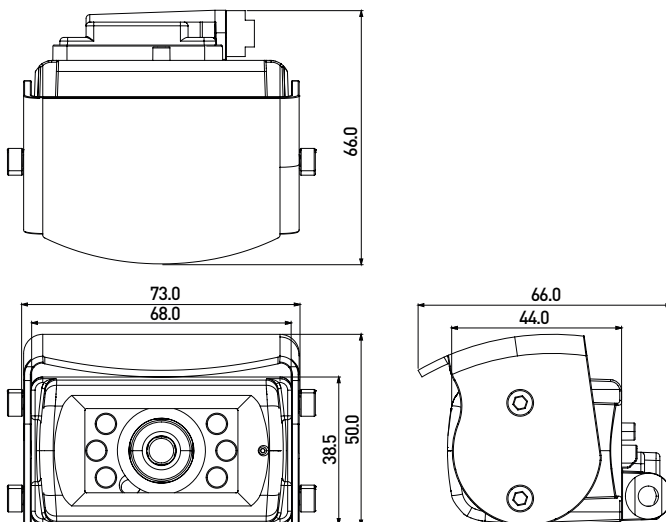
|                       |  |
|-----------------------|--|
| Image pick-up device  | 1/3" Color SONY Exmor                      |
| Scanning system       | 2:1 interlaced                             |
| Lens                  | STD lens : 2.7mm                           |
| Resolution            | 700TVL                                     |
| Video output          | CVBS                                       |
| Video output level    | 1.0Vp-p (75Ω Composite)                    |
| Gamma                 | r=0.45                                     |
| Day & night           | Auto / BW / Color                          |
| White balance         | AWB  |
| Digital function      | NR / BLC                                   |
| S/N ratio             | More than 50dB (AGC off)                   |
| Min. illumination     | 0.5 Lux (IR LED off)                       |
| Audio                 | With audio                                 |
| Cable                 | 4-pin locking connector                    |
| Power source          | DC 12V / 120mA (LED on : 250mA), LED : 6ea |
| Operating temperature | -20°C ~ +60°C                              |
| Humidity              | 10% ~ 95% RH                               |
| Dimensions (mm)       | 68.0(W) x 38.5(H) x 66.0(D)                |

## FEATURES

- 1/3" SONY Exmor
- Normal or mirror image
- Integrated audio
- Built-in IR LED
- U-shape bracket
- 4-pin locking type connector
- Waterproof

## DIMENSIONS

[Unit : mm]

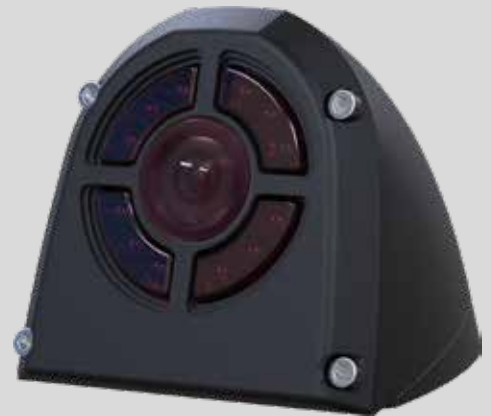


# WDRV-3415C-WH WDRV-3415C-BK

High Resolution Mobile Camera with Audio



**WDRV-3415C-WH**



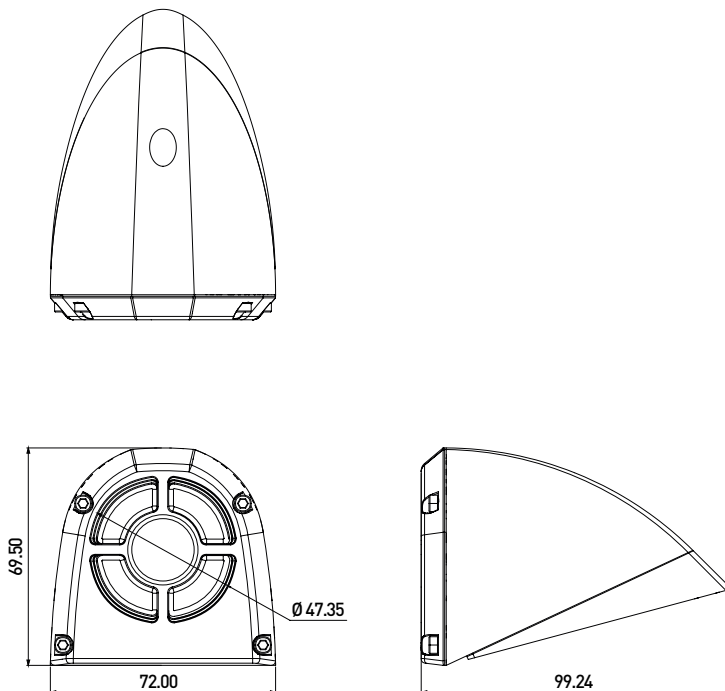
**WDRV-3415C-BK**

## SPECIFICATION

|                       |  |
|-----------------------|--|
| Image pick-up device  | 1/3" Color SONY Super HADII SONY CCD   |
| Picture elements      | 811(H) x 508(V) 410K pixels            |
| Effective pixel       | 768(H) x 494(V) 380K pixels            |
| Scanning system       | 2:1 interlaced                         |
| Lens                  | Standard (WDRV-3415C-BK)               |
| Resolution            | 620TVL                                 |
| Video output level    | 1.0Vp-p (75Ω Composite, BNC connector) |
| Day & night           | Auto / BW / Color                      |
| Digital function      | NR / BLC                               |
| S/N ratio             | 48dB                                   |
| Min. illumination     | 0.2 Lux at F1.2                        |
| Cable                 | Round DIN 4 pin locking type           |
| Power source          | DC 12V / 120mA (LED on : 250mA)        |
| Operating temperature | -30°C ~ +80°C                          |
| Dimensions (mm)       | 72.00(W) x 69.50(H) x 99.24(D)         |

## DIMENSIONS

[Unit : mm]



## FEATURES

- 620TV lines of resolution
- Day / Night infra - red illumination
- Built-in audio
- Weatherproof

ANALOG CAMERA  
IP CAMERA  
AUTOMOTIVE CAMERA

# WDRV-3478C-LT WDRV-3478C-RT

Side view camera



**WDRV-3478C-LT/RT(WHITE)**



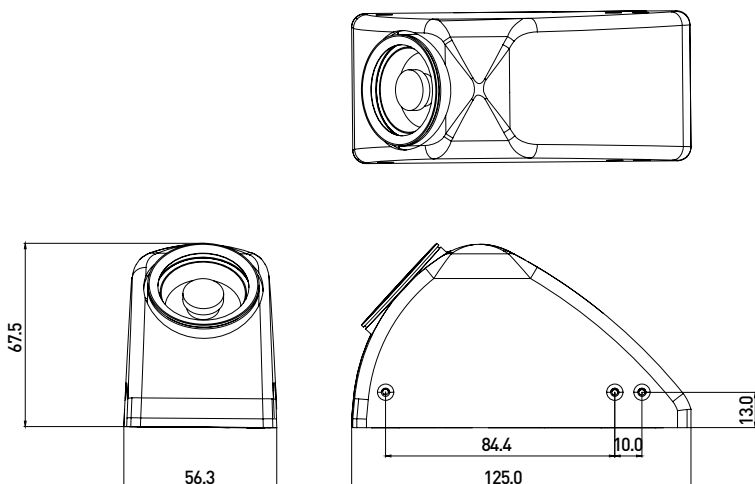
**WDRV-3478C-LT/RT(BLACK)**

## SPECIFICATION

|                       |  |
|-----------------------|--|
| Image pick-up device  | 1/3.2" SONY Super HAD CCD image sensor       |
| Effective pixel       | NTSC (525TVL) : 512(H) x 492(V)              |
|                       | PAL (625TVL) : 512(H) x 582(V)               |
| Scanning system       | 2:1 interlaced                               |
| Lens                  | STD lens : fix 2.4mm lens F : 1.8            |
| Resolution            | NTSC / PAL 650TVL                            |
| Scanning frequency    | Horizontal : 15,734KHz / Vertical : 59,94KHz |
| Video output level    | 1.0Vp-p (75Ω Composite)                      |
| Gamma                 | r=0.45                                       |
| Day & night           | Auto / BW / Color                            |
| White balance         | 2100°K ~ 5600°K - Auto                       |
| Digital function      | NR / BLC                                     |
| S/N ratio             | More than 50dB                               |
| Min. illumination     | 0.1 Lux (No IR LED)                          |
| IR LED                | Visible 5mm diameter (85Ω, 30°x 8ea)         |
| Visibility range      | Real 5 meter (approx. 16 Feet)               |
| CDS sensor            | IR LED on/off at 5.0 Lux                     |
| Cable                 | Round DIN 4 pin locking type                 |
| Power source          | DC 12V / 120mA (max. 200mA)                  |
| Operating temperature | -30°C ~ +80°C                                |
| Humidity              | 10% ~ 95% RH                                 |
| Weight (approx.)      | 350g (0.77lbs)                               |
| Dimensions (mm)       | 56.3(W) x 67.5(H) x 125.0(D)                 |

## DIMENSIONS

[Unit : mm]



## FEATURES

- 1/3" Color SONY Super HAD CCD image sensor
- 8x IR LED built-in camera
- Auto white balance
- Weatherproof

# WDRV-33C160CLK

Wide Angle Automotive Camera



## SPECIFICATION

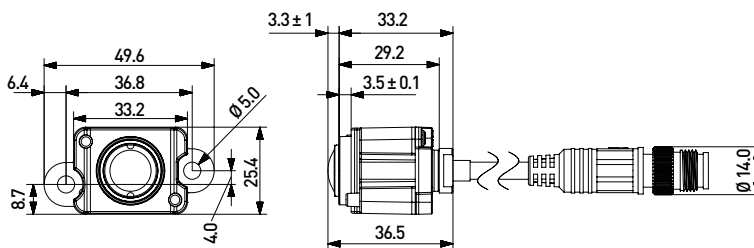
|                       |   |
|-----------------------|---|
| Image pick-up device  | 1/4" CMOS image sensor                            |
| Pixel size            | 5.6um x 5.6um                                     |
| Effective pixel       | NTSC (525TVL) : 720(H) x 487(V)                   |
|                       | PAL (625TVL) : 720(H) x 576(V)                    |
| Lens                  | Fixed F1.78mm lens                                |
| Lens view angle       | 103.9°(V) x 140.3°(H) x 210°(D)                   |
| Shutter type          | Electronic rolling shutter (ERS)                  |
| Resolution            | NTSC / PAL 450TVL                                 |
| Scanning system       | Progressive                                       |
| Video output          | CVBS  |
| Video output level    | 1.0 Vp-p (75Ω Composite)                          |
| White balance         | Auto white balance                                |
| Digital function      | NR / WDR / BLC                                    |
| S/N ratio             | More than 46dB                                    |
| Min. illumination     | 0.1 Lux (No IR LED)                               |
| Pixel dynamic range   | 84dB  |
|                       | Heater function                                   |
| IP rating             | IP69K   |
| Cable                 | 4Pin locking connector (Male) (Urethane material) |
| Power source          | DC 8~36V / 50mA /12V (Heater On ; Max 360mA)      |
| Operating temperature | -40°C ~ +85°C                                     |
| Humidity              | 10% ~ 95% RH                                      |
| Weight (approx.)      | 90g   |
| Dimensions (mm)       | 49.6(W) x 25.4(H) x 36.5(D)                       |

## FEATURES

- High performance color camera
- Extremely high quality picture in low light environments without IR LEDs
- High dynamic range
- Easy installation & adjustment by smart design for automotive purposes (side view, rear view, etc.)
- 140° Horizontal lens viewing angle
- Waterproof (IP69K)

## DIMENSIONS

[Unit : mm]



ANALOG CAMERA  
IP CAMERA  
AUTOMOTIVE CAMERA

# WDRV-33C180CLK

Wide Angle Automotive Camera (Fish Eye Lens)



## SPECIFICATION

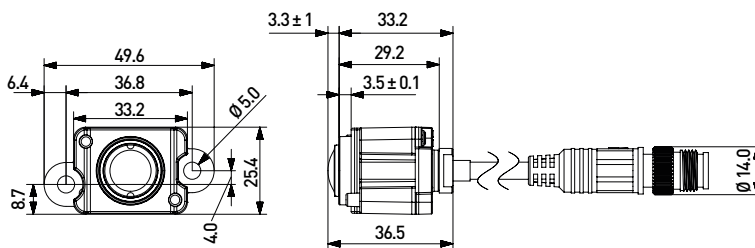
|                       |   |
|-----------------------|---|
| Image pick-up device  | 1/4" CMOS image sensor                            |
| Pixel size            | 5.6um x 5.6um                                     |
| Effective pixel       | NTSC (525TVL) : 720(H) x 487(V)                   |
|                       | PAL (625TVL) : 720(H) x 576(V)                    |
| Lens                  | Fixed F 0.9mm lens                                |
| Lens view angle       | 138.72°(V) x 184.19°(H) x 208.0°(D) (Max.)        |
| Shutter type          | Electronic rolling shutter (ERS)                  |
| Resolution            | NTSC / PAL 450TVL                                 |
| Scanning system       | Progressive                                       |
| Video output          | CVBS  |
| Video output level    | 1.0 Vp-p (75Ω Composite)                          |
| White balance         | Auto white balance                                |
| Digital function      | NR / WDR / BLC                                    |
| S/N ratio             | More than 46dB                                    |
| Min. illumination     | 0.1 Lux (No IR LED)                               |
| Pixel dynamic range   | 84dB  |
|                       | 12V ; Start @ 0°C, Off @ 8°C                      |
| Heater function       | 24V ; Start @ 0°C, Off @ 3°C                      |
|                       | IP rating   |
| Cable                 | 4Pin locking connector (Male) (Urethane material) |
| Power source          | DC 8~36V  |
| Operating temperature | -40°C ~ +85°C                                     |
| Humidity              | 10% ~ 95% RH                                      |
| Weight (approx.)      | 90g   |
| Dimensions (mm)       | 49.6(W) x 25.4(H) x 36.5(D)                       |

## FEATURES

- High performance color camera
- Extremely high quality picture in low light environments without IR LEDs
- High dynamic range
- Easy installation & adjustment by smart design for automotive purposes (side view, rear view, etc.)
- 184° Horizontal lens viewing angle
- Waterproof (IP69K)

## DIMENSIONS

[Unit : mm]



# WDRV-7057C

Infra-Red LED Rear View Color Camera



## SPECIFICATION

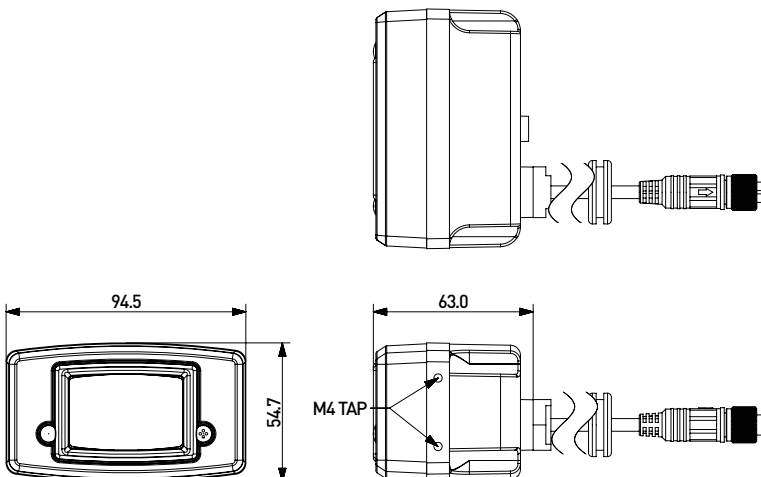
|                       |  |
|-----------------------|--|
| Image pick-up device  | 1/4" On-Semi CMOS image sensor               |
| Effective pixel       | NTSC (525TVL) : 720(H) x 487(V)              |
|                       | PAL (625TVL) : 720(H) x 576(V)               |
| Scanning system       | Progressive                                  |
| Lens                  | STD lens : fix 2.5mm, F/no : 2.0             |
| Resolution            | NTSC / PAL 450TVL                            |
| Scanning frequency    | Horizontal : 15,734KHz / Vertical : 59,94KHz |
| Video output          | CVBS   |
| Video output level    | 1.0Vp-p (75Ω composite)                      |
| Gamma                 | r=0.45                                       |
| Day & night           | Auto / BW / Color                            |
| White balance         | 2100°K ~ 9100°K - Auto                       |
| Digital function      | NR / WDR / BLC                               |
| S/N ratio             | More than 46dB                               |
| Min. illumination     | 0.1 Lux (IR LED off)                         |
| IR LED                | Visible 5mm diameter (850nm, 30° x 14ea)     |
| Visibility range      | Real 7 meter (approx. 23 Feet)               |
| CDS sensor            | IR LED on/off at 5.0 Lux                     |
| Cable                 | Round din 6 pin or 4 pin locking type        |
| Power source          | DC 12V / 120mA (max. 200mA)                  |
| Operating temperature | -30°C ~ +80°C                                |
| Humidity              | 10% ~ 95% RH                                 |
| Weight (approx.)      | 400g   |
| Dimensions (mm)       | 94.5(W) x 54.7(H) x 63.0(D)                  |

## FEATURES

- Color camera with infra-red LEDs
- Weatherproof

## DIMENSIONS

[Unit : mm]



ANALOG CAMERA

IP CAMERA

AUTOMOTIVE CAMERA



# WDRV-7063C

Rear View Motorized Camera with IR LED



## SPECIFICATION

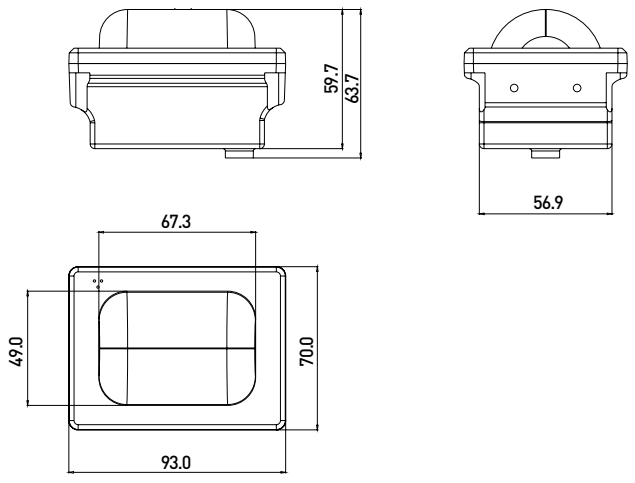
|                          |  |
|--------------------------|--|
| Image pick-up device     | 1/3" Color SONY Exmor                    |
| Effective pixel          | NTSC (525TVL) : 512(H) x 492(V)          |
|                          | PAL (625TVL) : 512(H) x 582(V)           |
| Scanning system          | 2:1 interlaced                           |
| Lens                     | STD lens : 2.7mm                         |
| Electronic shutter speed | 1/60 ~ 1/100,000sec; 1/50 ~ 1/100,000sec |
| Resolution               | 700TVL                                   |
| Video output             | CVBS                                     |
| Video output level       | 1.0Vp-p (75Ω Composite)                  |
| Gamma                    | r=0.45                                   |
| Day & night              | Auto / BW / Color                        |
| White balance            | AWB                                      |
| Digital function         | NR / BLC                                 |
| S/N ratio                | More than 50dB (AGC off)                 |
| Min. illumination        | 0.5 Lux (IR LED off)                     |
| IR LED                   | Visible 5mm diameter (850nm, 30° x 8ea)  |
| Visibility range         | Real 5 meter (approx. 16 Feet)           |
| CDS sensor               | IR LED on/off at 5.0 Lux                 |
| Motor control angle      | Up & down (center ±45°)                  |
| Audio                    | 1 aay (to monitor)                       |
| Cable                    | Round din 6 pin locking type             |
| Power source             | DC 12V / 120mA (max. 200mA)              |
| Operating temperature    | -30°C ~ +80°C                            |
| Humidity                 | 10% ~ 95% RH                             |
| Weight (approx.)         | 380g                                     |
| Dimensions (mm)          | 93.0(W) x 70.0(H) x 63.7(D)              |

## FEATURES

- 1/3" SONY Exmor
- Motorized camera for a greater angle of view (up and down motion)
- IR LED for night illumination
- CDS sensor for automatic IR LED activation
- Built-in microphone
- Weatherproof

## DIMENSIONS

[Unit : mm]





# WDBS-7965C-94

Back Seat Camera



## SPECIFICATION

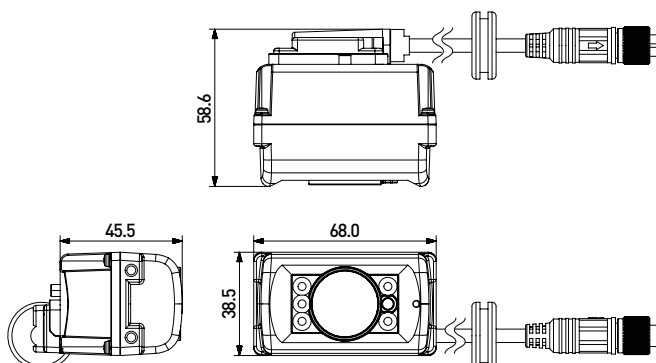
|                       |   |
|-----------------------|---|
| Image pick-up device  | 1/3" SONY IMX225 CMOS image sensor          |
| Pixel size            | 3.75um x 3.75um                             |
| Effective pixel       | 1305(H) x 977(V)                            |
| Scanning system       | Progressive                                 |
| Lens                  | Fixed 2.65mm lens                           |
| Lens view angle       | 60°(V) x 110°(H) x 137°(D)                  |
| Resolution            | 650TVL                                      |
| Video output          | CVBS  |
| Video output level    | 1.0Vp-p (75Ω composite)                     |
| Day & night           | Auto / BW / Color                           |
| White balance         | ATW / WC / Manual (1800°K ~ 10500°K)        |
| Digital function      | NR / BLC                                    |
| S/N Ratio             | More than 50dB (AGC off)                    |
| Min. illumination     | 0.1Lux                                      |
| Color                 | On / Auto                                   |
| Gain control          | Off / Low / Middle / High                   |
| Sens-up               | On / Auto                                   |
| O.S.D.                | Built-in                                    |
| Motion detection      | On / Off (4 programmable zone)              |
| DNR                   | Off / Low / Middle / High (noise reduction) |
| Mirror                | Built-in (horizontal image inversion)       |
| Privacy function      | On / Off (4 programmable zone)              |
| IP Rating             | IP42  |
| Cable                 | 4Pin locking connector (female)             |
| Power source          | DC 12V / 120mA (LED on ; 180mA)             |
| Operating temperature | -10°C ~ +50°C                               |
| Humidity              | 30 ~ 90% RH                                 |
| Weight (approx.)      | 220g  |
| Dimensions (mm)       | 68.0(W) x 38.5(H) x 58.6(D)                 |

## FEATURES

- High performance color camera
- Extremely high quality picture in low light environments with the built-in IR LEDs
- Wide dynamic range
- IR LED for night illumination (940nm)
- CDS sensor for automatic IR LED activation
- Built-in microphone
- U-shape bracket

## DIMENSIONS

[Unit : mm]



ANALOG CAMERA  
IP CAMERA  
AUTOMOTIVE CAMERA



**WELDEX**  
CORPORATION

[www.weldex.com](http://www.weldex.com) | [oem@weldex.com](mailto:oem@weldex.com)

**WELDEX USA**

6751 Katella Avenue, Cypress, CA 90630  
Tel: 1-714-761-2100  
Fax: 1-714-761-3811

**WELDEX EURO GmbH**

Gewerbering 3A, 82140 Olching, Germany  
Tel: 49-8142-651490  
Fax: 49-8142-6514920

**WELDEX OCEANIA PTY LTD**

Unit 3, 4 Henry Street Loganholme, QLD 4129, Australia  
Tel: +61-(0)7-3801-5818  
Fax: +61-(0)7-3801-3424