



MY23F

Ultra Wide, No Distortion 5 Megapixel Lens



LINEAR OPTICAL TECHNOLOGY

- ✓ Patented Linear Optical Technology® provides **ultra wide** field of view of 120° for greater coverage with fewer cameras
- ✓ **Metal housing and focus lock** allows the lens to survive high vibration environments. Three setscrews lock focus in place
- ✓ **NIR corrected for multi-spectral imaging & Day/Night** cameras
- ✓ Supports **5+ megapixel resolution** cameras for demanding applications
- ✓ With **M12, CS or C mount** options convenience & ease of installation
- ✓ Compatible with **1/3", 1/2.7" HD, 1/2.5", 1/2.3" 4K***, and **1/1.8"** sensor sizes

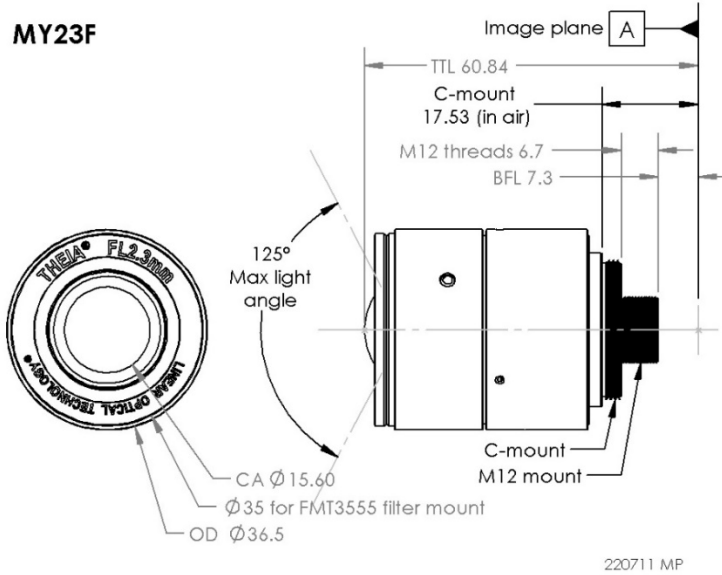
Lenses	SY23F	MY23F
Mount	CS	C and M12
Focal length	2.3mm	
Linear Optical Technology®	Yes <i>(this technology causes the image to be flipped)</i>	
Distortion	<1%	
Image circle	Ø9.2mm (1/1.8")	
Resolution	5+ megapixel	
F/#	F/2.2	
IR Correction	430nm to 940nm	
Focus range	0.1m to ∞	
Lens length (TTL)	60.8mm TTL (depending on focus position)	
Back focal length (BFL)	7.3mm (depending on focus position)	
Chief ray angle (CRA)	< 15°	
Weight	83g	81g
Operating temperature	-20C to 70C (<70% humidity, non-condensing)	
Storage temperature	-20C to 80C (<90% humidity, non-condensing)	

Fields of view

Sensor size	1/2.5"	1/2.3"	1/1.8"
Field of view (H)	102°	110°	116°
Field of view (V)	86°	84°	95°
Field of view (D)	114°	119°	126°

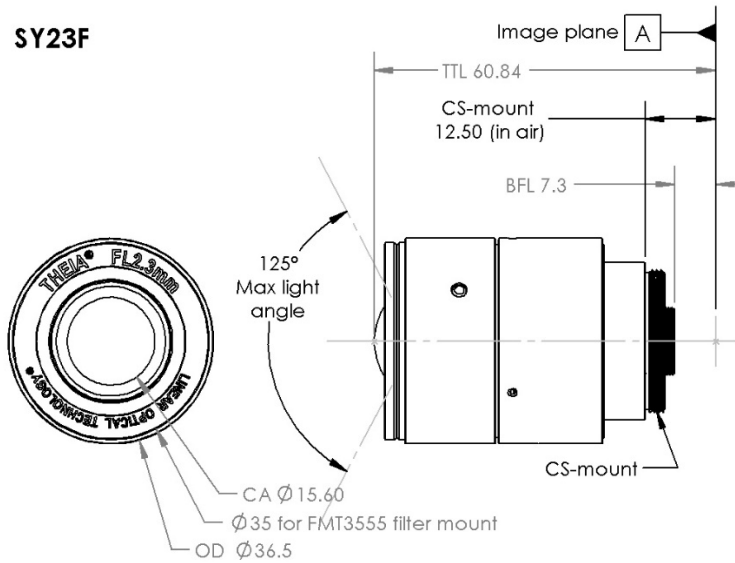
Lens drawings

Note: MY23F has both C-mount and M12 mount threads



220711 MP

Note: SY23F has both CS-mount and M12 mount threads, however M12 mount threads are partially “internal”. For applications requiring M12 mount, order the MY23F version.



220711 MP



For more information, contact

Theia Technologies
 info@TheiaTech.com
 Phone: +1-503-570-3296

Revisions

Version	Change	Reason
220301	Initial	
220607	F/# spec update	Corrected F/#
	FOV chart	Updated for final design
	Changed drawing	Incorrect location of C-mount plane led to measurement errors; corrected location
	Added CS mount drawing	Not previously available
	Updated SY23F drawing	Clarification required
	FOV chart	Changed sensors/columns
220706	Added lens images	
220706	Changed max sensor size and associated FOV	Corrected
220711	Updated CAD drawings	Removed thumbscrew as it is not included in production
220722	Main table	Added some common specs
	QR code	Added theiatech.com/23web code
220722a	FOV chart	Corrected