

PixelPro GXi Network Encoder Encoder Series



GANZ
PixelPro

WITH
GXi
TECHNOLOGY

Features:

- H.264 Full Frame at D1
- Video Compression: H.264, MPEG-4, MJPEG
- Deinterlacing on DSP
- Audio Compression: G.711
- Burnt-in Text, Video Motion Detection Support
- Comprehensive SDK Support

*Exact products and specifications shown may vary by geographic and subject to change without notice.
Actual products may differ from the images appearing in the specification sheet.



CBC Co.,Ltd.
TOKYO Head Office Image and Information Technology Division
Ganz Global Brand Center

<http://www.ganz-global.com/>

GANZ IP SPECIFICATIONS

CBC Co.,Ltd.
Ganz Global Brand Center

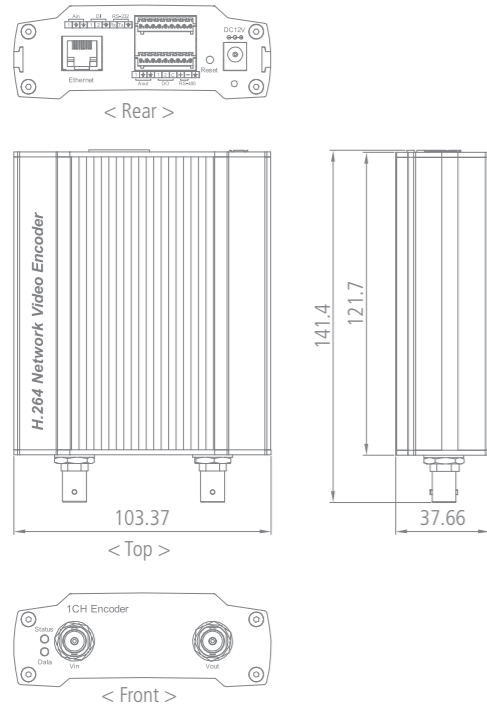
SPECIFICATION

| MODEL | ZN-S110VE | ZS1A-1DS | ZS1A-4DS | ZN-S4000VEL | |
|---|--|--|---|---|--|
| | | | | | |
| Video | Input | 1 channel | | 4 channel | |
| | Output | 1 Loop Out | | 1 Loop Out | |
| | Compression Format | H.264, MPEG-4, MJPEG | H.264, MJPEG Selectable per Stream | | |
| | Number of Streams | Dual Stream, Configurable | | 1 | |
| | Resolution | 720x480/576(D1), 704x480/576(4CIF), 704x240/288(2CIF), 640x480(VGA), 352x240/288(CIF), 320x240(QVGA), 176x120/144(QCIF) | 720x480/576(D1), 704x480/576(4CIF), 640x480(VGA), 352x240/288(CIF), 320x240(QVGA), 176x120/144(QCIF) | 720x480/576(D1), 704x480/576(4CIF), 704x240/288(2CIF), 640x480(VGA), 352x240/288(CIF), 320x240(QVGA), 176x120/144(QCIF) | |
| | Frame Rate | 25/30fps @ D1 (PAL/NTSC) | | | |
| | Deinterlacing | Supported | | | |
| | Motion Detection | Supported | | | |
| Text Overlay | Supported | | | | |
| Audio | Input | 1 channel | 4 channel | 2 channel | |
| | Output | 1 channel | | | |
| | Compression Format | G.711 | | | |
| Function | DI | 2 channel | | 4 channel | |
| | DO | 2 channel | | 4 channel | |
| | Serial Port | RS-485 Only | | RS-232C, RS-485 | |
| | Network | 10 / 100 Base-T | | 100 Base-T | |
| | Protocol | TCP/IP, UDP/IP, HTTP, RTSP, RTP/UDP, RTP/TCP, mDNS, UPnP, SMTP, IGMP, DHCP, FTP, DDNS, SSL v2/v3, IEEE 802.1X, SNMP v2/v3 | QoS Layer 3 DiffServ, TCP/IP, UDP/IP, HTTP, RTSP, RTP/UDP, RTP/TCP, mDNS, UPnP™, SMTP, DHCP, DNS, DynDNS, NTP, SNMPv1/v2c/v3(MIB-II), IGMP, ICMP, SSLv2/v3, TLSv1 | TCP/IP, UDP/IP, HTTP, RTSP, RTP/UDP, RTP/TCP, mDNS, UPnP, SMTP, IGMP, DHCP, FTP, DDNS, SSL v2/v3, IEEE 802.1X, SNMP v2/v3 | |
| | USB 2.0 | - | | | |
| | SD Memory Card Slot | - | Supported (64GB) | | |
| | | | | | |
| Electrical | Power Source | 12VDC (DC Jack) | 12VDC, PoE | 12VDC (DC Jack) | 12VDC, PoE |
| | Power Over Ethernet | - | Supported (IEEE 802.3af) | - | Supported (IEEE 802.3af) |
| | Power Consumption (Approx) | 240 mA @ 12VDC | 235mA@12VDC | 735mA@12VDC | 550 mA @ 12VDC |
| Environmental | Operating Temperature (Not include cold start) | -20 °C ~ 60 °C (-4 °F ~ 140 °F) | 0°C ~ 50°C | | 12VDC: -10 °C ~ 50 °C (14 °F ~ 122 °F) PoE: -10 °C ~ 45 °C (14 °F ~ 113 °F) |
| | Operating Humidity | Up to 85% RH (Non-condensing) | | | |
| Mechanical | Dimensions | 103(W) x 38(H) x 141(D) mm / 4.1" x 1.5" x 5.6" | | 137(W) x 38(H) x 243(D) mm | 137(W) x 38(H) x 189(D) mm / 5.4" x 1.5" x 7.4" |
| | Weight (Approx) | 385 g | 430 g | 920 g | 700 g |
| Video Content Analysis (Included as Standard) | High Performance | Advanced Tracking Algorithm, Low False Alarm Rate | VCA Technology's advanced tracking algorithm with rich library of detection behaviors | | - |
| | Easy to Use | Intuitive Web Browser Interface | - | | |
| | Detection Zones | Multi-segment Polygons and Lines | 40 zones (Multi-segment Polygons and Lines) in total | | 60 rules in total |
| | On-screen Display | Real-time Display of Tracking Data and Events | - | | |
| | Camera Shake Cancellation | Improve the VCA performance with cameras that are prone to shake | Supported | | - |
| | Tamper Detection | Detect camera tampering | Supported | | - |
| Video Content Analysis (Option) | Detection Behavior | Direction, Stopping, Loitering, Entering, Exiting, Appear, and Disappear Filters, Abandoned/Removed Object Detection, Tailgating Detection | Enter, Exit, Appear, Disappear, Stop, Direction, Dwell filter; Tailgating; | | - |
| | 3D Behavior | Perspective Corrected Size and Speed Filters | | - | |
| | Statistics | Counting Functions and Other Statistics | | - | |
| | Meta Data | Plain XML Format | | - | |
| | Electronic Stabilization | Removes Camera Sway | | - | |
| Certifications | CE/FCC | | | | |
| Onvif | - | Supported | | - | |

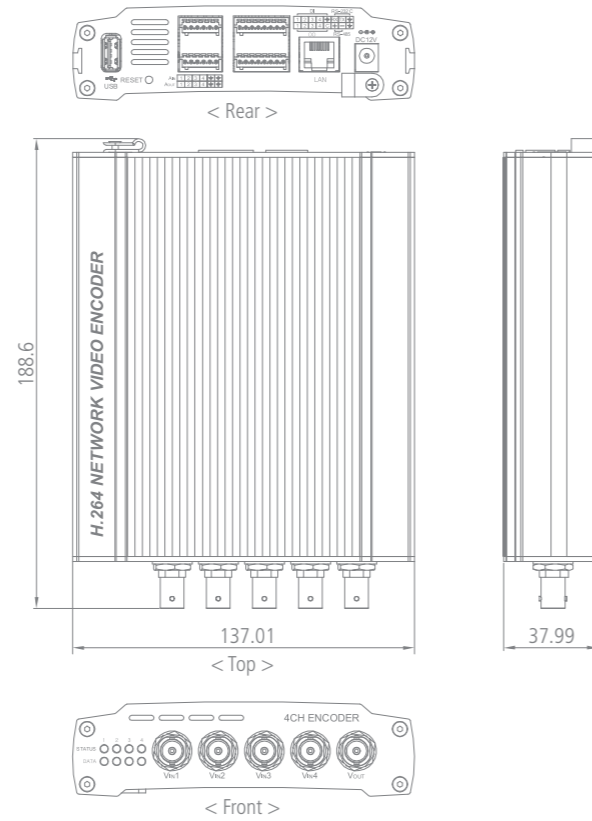
| MODEL | ZS1A-4DB1 | ZS1A-4DB2 | ZN-RS4012VEL | ZN-RS4040VEL | |
|---|--|---|---|---|-------------------|
| | | | | | |
| Video | Input | 4 channel | | | |
| | Output | - | | | |
| | Compression Format | H.264, MJPEG Selectable per Stream | | H.264 | |
| | Number of Streams | Dual Stream, Configurable | | Single Stream (H.264) + Snapshot (MJPEG) | |
| | Resolution | 720x480/576(D1), 704x480/576(4CIF), 640x480(VGA), 352x240/288(CIF), 320x240(QVGA), 176x120/144(QCIF) | | 720x480/576(D1), 704x480/576(4CIF), 704x240/288(2CIF), 640x480(VGA), 352x240/288(CIF), 320x240(QVGA), 176x120/144(QCIF) | |
| | Frame Rate | 25/30fps @ D1 (PAL/NTSC) | | | |
| | Deinterlacing | Supported | | | |
| | Motion Detection | Supported | | | |
| Text Overlay | Supported | | | | |
| Audio | Input | 4 channel | | 2channel | |
| | Output | 1 channel | | | |
| | Compression Format | G.711 | | | |
| Function | DI | 4 channel | | 2 channel | |
| | DO | 4 channel | | 2 channel | |
| | Serial Port | RS-485 (4 port) | | RS-485, RS232C | |
| | Network | 10 / 100 Base-T | | | |
| | Protocol | QoS Layer 3 DiffServ, TCP/IP, UDP/IP, HTTP, RTSP, RTP/UDP, RTP/TCP, mDNS, UPnP™, SMTP, DHCP, DNS, DynDNS, NTP, SNMPv1/v2c/v3(MIB-II), IGMP, ICMP, SSLv2/v3, TLSv1 | TCP/IP, UDP/IP, HTTP, RTSP, RTP/UDP, RTP/TCP, mDNS, UPnP, SMTP, IGMP, DHCP, FTP, DDNS, SSL v2/v3, IEEE 802.1X, SNMP v2/v3 | | |
| | USB 2.0 | - | | | |
| | SD Memory Card Slot | - | | | |
| | | | | | |
| Electrical | Power Source | 12VDC (From Power Supplier Unit) | | | |
| | Power Over Ethernet | - | | | |
| | Power Consumption (Approx) | 845mA@12VDC | | 530 mA @ 12VDC | |
| Environmental | Operating Temperature (Not include cold start) | 0°C ~ 50°C | | 12VDC: -10 °C ~ 50 °C (14 °F ~ 122 °F) PoE: -10 °C ~ 45 °C (14 °F ~ 113 °F) | |
| | Operating Humidity | Up to 85% RH (Non-condensing) | | | |
| Mechanical | Dimensions (Panel) | 124(W) x 42(H) mm | 30(W) x 131(H) mm | 124(W) x 42(H) mm | 30(W) x 131(H) mm |
| | Weight (Approx) | 370 g | 240 g | 220 g | 230 g |
| Video Content Analysis (Included as Standard) | High Performance | VCA Technology's advanced tracking algorithm with rich library of detection behaviors | | - | |
| | Easy to Use | - | | | |
| | Detection Zones | 40 zones (Multi-segment Polygons and Lines) in total | | 60 rules in total | |
| | On-screen Display | - | | | |
| | Camera Shake Cancellation | Supported | | - | |
| | Tamper Detection | Supported | | - | |
| Video Content Analysis (Option) | Detection Behavior | Enter, Exit, Appear, Disappear, Stop, Direction, Dwell filter; Tailgating; | | - | |
| | 3D Behavior | Perspective Corrected Size and Speed Filters | | - | |
| | Statistics | - | | | |
| | Meta Data | Plain XML Format | | - | |
| | Electronic Stabilization | - | | | |
| Certifications | CE/FCC | | | | |
| Onvif | Supported | | - | | |

DIMENSIONS

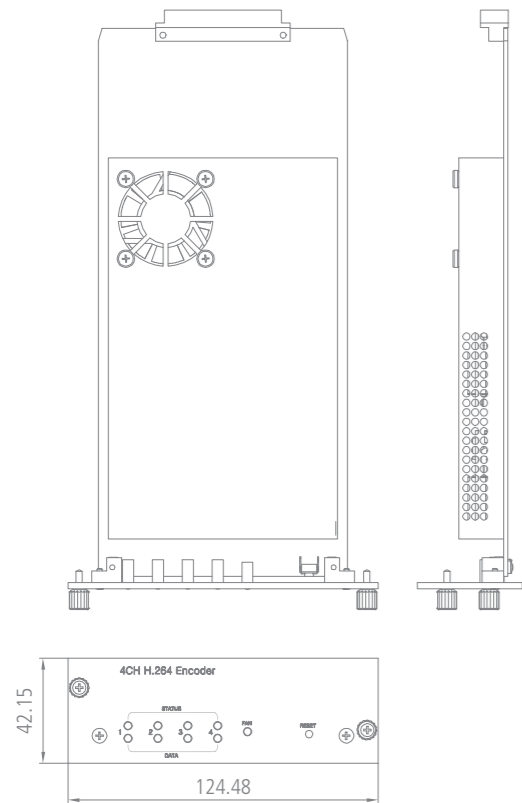
ZN-S110VE / ZS1-1DS



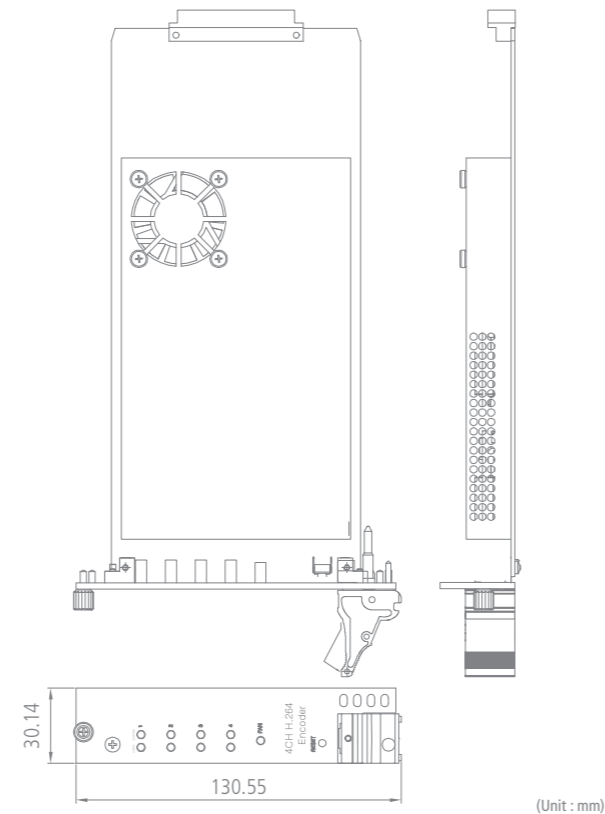
ZS1-4DS / ZN-S4000VEL



ZS1-4DB1 / ZN-RS4012VEL



ZS1-4DB2 / ZN-RS4040VEL

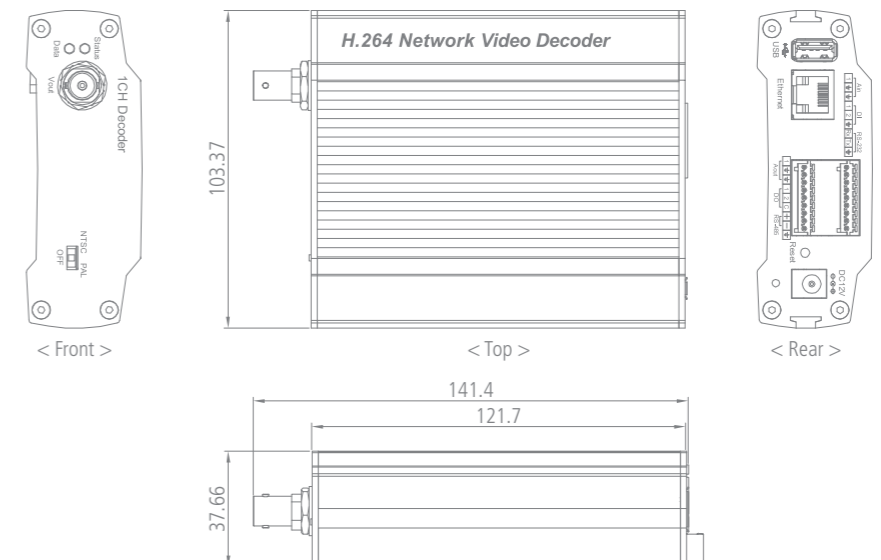


(Unit : mm)

SPECIFICATION

| MODEL | | ZN-R1000E |
|---------------|----------------------------|--|
| | |  |
| Video | Output | 1 BNC Connector (NTSC / PAL) |
| | Video Display | Single view up to D1 resolution, Quad View in CIF resolution |
| | Decompression Format | H.264, MPEG-4, MJPEG |
| | Resolution | 720×480/576 (D1), 352×240/288 (CIF) |
| | Decompression FPS | 25/30 fps @ D1, 100/120 fps @ CIF |
| | OSD Configuration | Display Network setup screen, Display Connection Information |
| Audio | Input | 1 channel |
| | Output | 1 channel |
| | Compression Format | G.711 |
| Function | Digital Input | 2 |
| | Digital Output | 2 |
| | Serial port | RS-485, RS232C |
| | Network | 100 Base-T |
| | Protocol | TCP/IP, UDP/IP, HTTP, RTSP, RTPC, RTP/UDP, RTP/TCP, SNMP, mDNS, UPnP, SMTP, SOCK, IGMP, DHCP, FTP, DDNS, SSL v2/v3, IEEE 802.1X, SSH, SNMP v2/v3 |
| | USB 2.0 | Support for USB mouse |
| Electrical | Power Source | 12V DC (DC Jack) |
| | Power over Ethernet | Support (IEEE 802.3af) |
| | Power Consumption (Approx) | 300 mA @ 12V DC |
| Environmental | Operating Temperature | -20 °C ~ 60 °C (-4 °F ~ 140 °F) |
| | Operating Humidity | Up to 85% RH, Non-condensing |
| Mechanical | Dimension | 103(W) x 38(H) x 141(D) mm / 4.1" x 1.5" x 5.6" |
| | Weight (Approx) | 385g |

DIMENSIONS

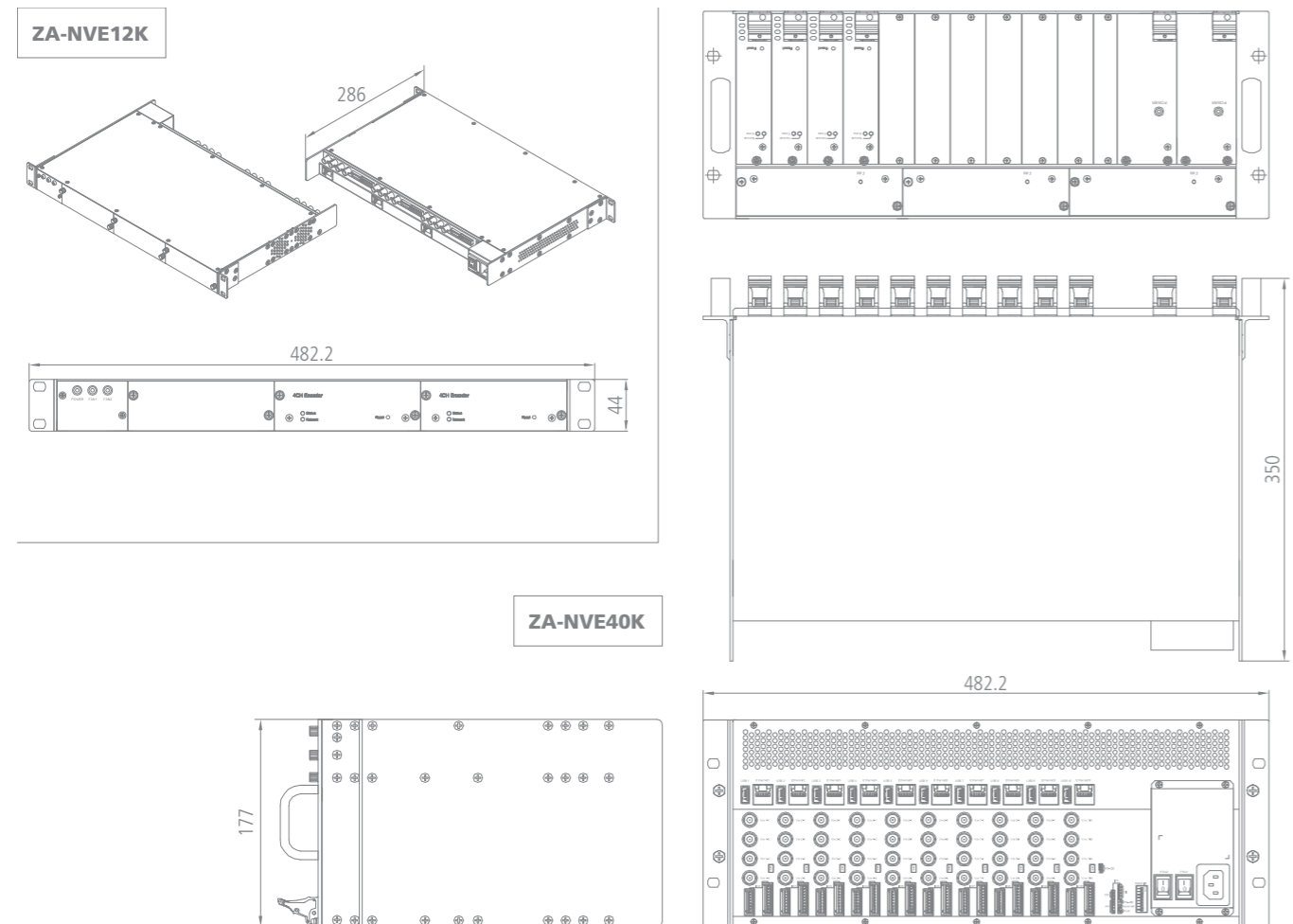


(Unit : mm)

SPECIFICATION

| MODEL | ZA-NVE12K | ZA-NVE40K |
|--|---|--|
| | | |
| Rack Construction | Aluminum 19" / 1U Sub-Rack | Aluminum 19" / 4U Sub-Rack |
| Available Slots | 3 (Hot Swappable Blades) | 10 (Hot Swappable Blades) |
| Power Source | 85~264 V AC, 47~63 Hz, 2A | 90~264 V AC, 47~63 Hz, 2A |
| Fan Unit | 4,500 rpm x 2 | 1,800 rpm x 3 (Hot Swappable) |
| Operating Temperature (Not Cold Start) | 0 °C ~ 60 °C (32 °F ~ 140 °F) | |
| Humidity | Up to 85% RH | |
| Dimension | 482(W) x 44(H) x 286(D) mm / 19.0" x 1.7" x 11.3" | 482(W) x 177(H) x 350(D) mm / 19.0" x 7.0" x 12.8" |
| Weight | 1.80 kg + 370 g (ZN-RS4012VE) x 3 | 6.90 kg + 380 g (ZN-RS4040VE) x 10 |
| Power Consumption | Typically 55W Fully Loaded Rack | Typically 140W Fully Loaded Rack |
| Supported Blades | ZN-RS4012VE / ZS1-4DB1 (for 12 channel Rack) | ZN-RS4040VE / ZS1-4DB2 (for 40 channel Rack) |

DIMENSIONS

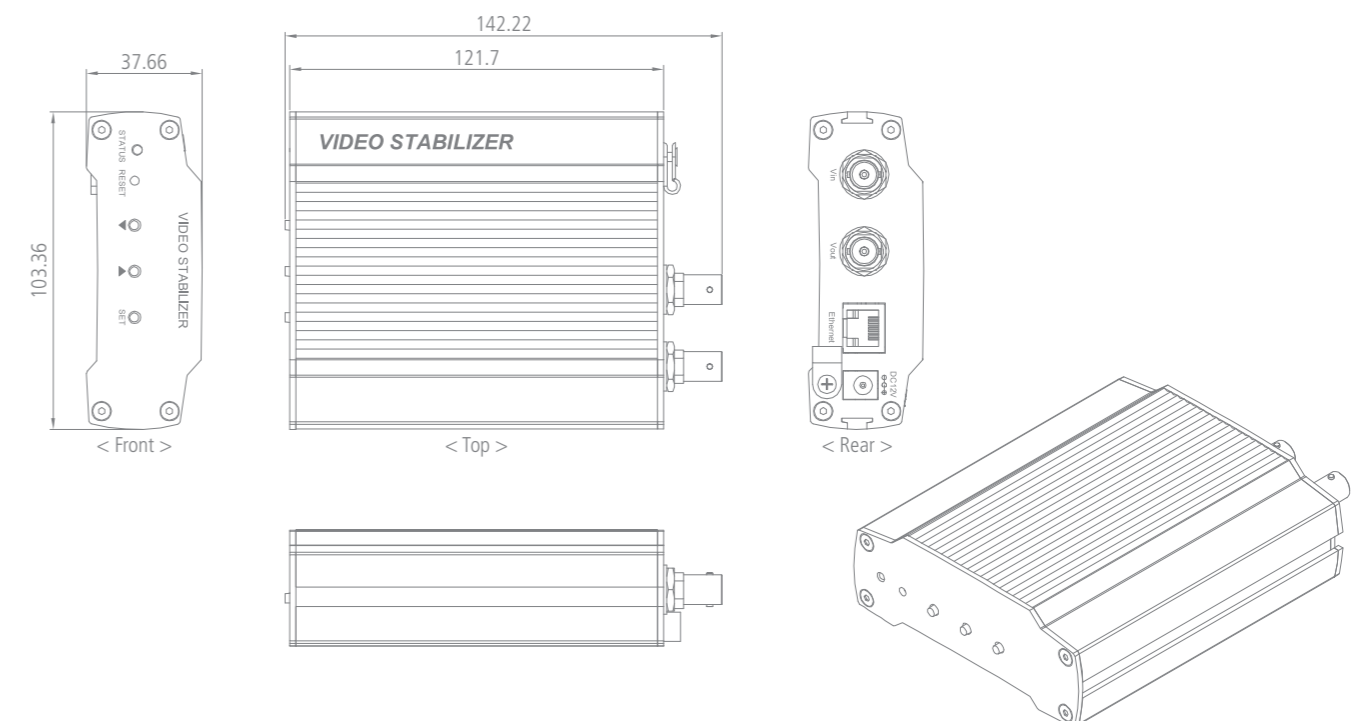


(Unit : mm)

SPECIFICATION

| MODEL | ZS-STB1000 | |
|---------------|-----------------------------|--|
| | | |
| Stabilization | Stabilization Tracking Rate | Approx ±3,000 pixels / se |
| | Stabilization Range | ±256 pixel |
| | Stabilization Frequency | 0.1 - 30Hz |
| | Video Delay | < 80ms |
| | Stabilization | X-Y Movement at Sub-pixel Accuracy |
| | Automatic Algorithm | Locks-on to Background Features Ignores Moving Objects and Burnt-in Text |
| Video | Lock-on Time | < 80ms From Change of Image |
| | Input | Composite |
| | Output | BNC Connector |
| | Video Standards | PAL / NTSC Selectable |
| Function | D1 Resolution Digitization | 720 x 576 (PAL) / 720 x 480 (NTSC) |
| | Network | 10 / 100 Base-T (For Remote Set up) |
| Electrical | Power Source | 12V DC (DC Jack) |
| | Power Consumption (Approx) | 260mA @ 12VDC |
| Environmental | Operating Temperature | -20 °C ~ 60 °C (-4 °F ~ 140 °F) |
| | Operating Humidity | Up to 85% RH (Non-condensing) |
| Mechanical | Dimension | 103(W) x 38(H) x 142(D) mm / 4.1" x 1.5" x 5.6" |
| | Weight (Approx) | 430g |

DIMENSIONS



(Unit : mm)