

■ 5120 x 5120

■ 150 fps

Spark Series 

## ❖ SP-25000-CXP4A

26 megapixel CMOS area scan

**CoaXPRESS**<sup>®</sup>



- **High resolution 26.2 megapixel CMOS image sensor (global shutter)**
- **Up to 150 fps for 8-bit output at full resolution (5120 x 5120)**
- **Two models - monochrome or raw Bayer color output provided**
- **Compact 1.1-inch optical format (18.1 mm diagonal) with 2.5  $\mu$ m square pixels**
- **Horizontal / vertical image flip function, single ROI and multi-ROI modes**
- **Excellent shock and vibration resistance (80G shock / 10G vibration)**
- **4-channel, GenICam-compliant CoaXPRESS 2.0 interface**
- **4 micro-BNC connectors support CXP-12 or CXP-6 lane speeds**
- **Can share processing across multiple PCs with the CXP link sharing function**
- **C-mount lens mount**

# Specifications for SP-25000-CXP4A

# Spark Series

Specifications	SP-25000-CXP4A
Sensor	26.2 MP, 1.1-inch CMOS global shutter
Active pixels	5120 (h) x 5120 (v)
Frame rate	150 frames/sec. @ 8-bit mono/Bayer
Active area	12.8 mm (h) x 12.8 mm (v) - 18.1 mm diagonal
Pixel size	2.5 $\mu\text{m}$ x 2.5 $\mu\text{m}$
Readout modes	5120 (h) x 5120 (v) up to 150 fps H: 128 - 5120 pixels in 128-pixel steps V: 8 to 5120 lines in 4-line steps 1x2, 2x1, 2x2 (mono only)
EMVA 1288 Parameters	12-bit output format
Absolute sensitivity	Mono: TBD p Color: TBD p ( $\lambda = 531 \text{ nm}$ )
Maximum SNR	Mono: TBD dB Color: TBD dB
Traditional SNR*	>47 dB mono, >47 dB color (0 dB gain, 150 fps, 8-bit)
Video signal output	Monochrome: mono8 Color: BayerRG8, BayerGB8, BayerGR8, BayerBG8
Video modes	Normal/Single ROI, Multi ROI, Sequencer (Trigger & Command)
Interface	CoaXPress v2.0 (CXP-12, Micro BNC connectors) Link Configs: CXP12_X4, CXP12_X3, CXP12_X2, CXP12_X1, CXP6_X4, CXP6_X3, CXP6_X2, CXP6_X1
Gain	Manual/auto 0 dB to +24 dB
White balance	Off, presets (4000K, 4600K, 5000K, 6500K, 7500K), or one-push/continuous AWB (3000K to 9000K)
Gamma/LUT	0.45 to 1.0 (9 steps) or 257-point programmable LUT
Image correction & enhancement	Flat shading, color shading (color model only), edge enhancement
Trigger input	Opto In, TTL In (2), Pulse Generators (4), Software, NAND Out (2), User Output (4)
Exposure modes	Timed/EPS, Trigger Width, Auto
Electronic shutter	Timed: 9 $\mu\text{s}$ to 8 s Trigger width: 9 $\mu\text{s}$ to $\infty$ s
Auto Level Control (ALC)	Shutter range from 100 $\mu\text{s}$ to ~6.6 ms, gain range from 0 dB to +24 dB. Tracking speeds and max. values adjustable.
Operating temp. (ambient)	-5°C to +45°C (20 to 80% non-condensing)
Storage temp. (ambient)	-25°C to +60°C (20 to 80% non condensing)
Vibration	10G (20 Hz to 200 Hz, XYZ directions)
Shock	80G
Regulations	CE (EN 55032:2015, EN 55035:2017) FCC Part 15 Class B, RoHS/WEEE
Power	12-pin PoCXP +10V to +25V DC. 16.5 W typical @ +12 V Some limitations apply. See manual for details.
Lens mount	C-mount (17.526 mm FBD)
Lens control	Signals available via 10-pin Aux connector
Dimensions (H x W x L)	62 mm x 62 mm x 60.5 mm (incl. lens mount)
Weight	305 g

\*Traditional SNR is based on random noise in a single frame, where EMVA SNR measurements consider more comprehensive noise sources and variance over time.

## Ordering Information

SP-25000M-CXP4A	26 megapixel monochrome camera with CoaXPress
SP-25000C-CXP4A	26 megapixel color camera with CoaXPress

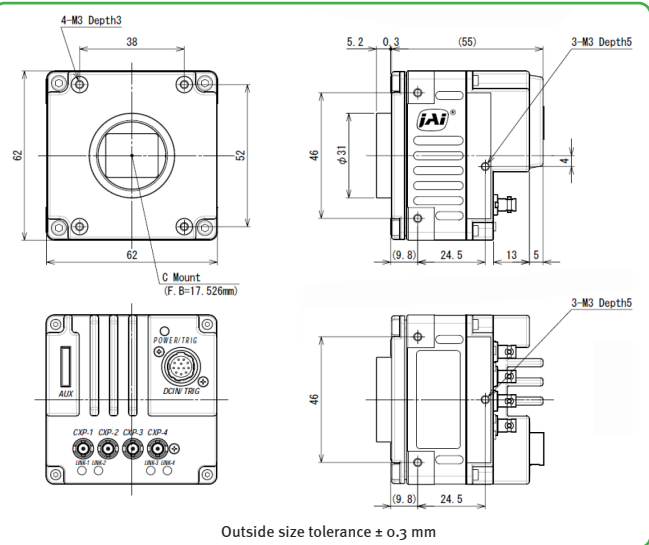
**Europe, Middle East & Africa**  
Phone +45 4457 8888  
Fax +45 4491 8880

**Asia Pacific**  
Phone +81 45 440 0154  
Fax +81 45 440 0166

**Americas**  
Phone (Toll-Free) 1 800 445 5444  
Phone +1 408 383 0300

Visit our website on [www.jai.com](http://www.jai.com)

## Dimensions



## Connector pin-out

### DC In / Trigger

HIROSE HR10A-10R-12PB(71)

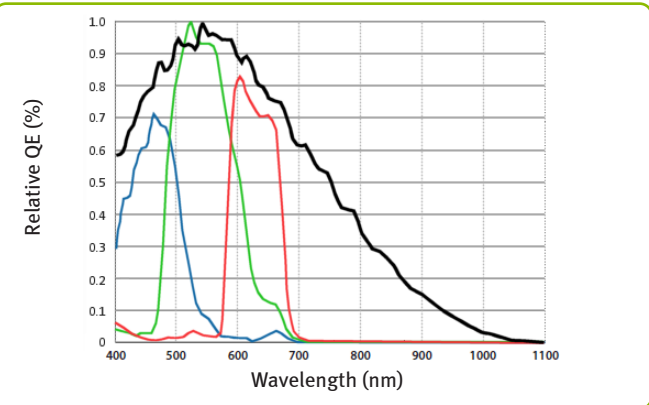
Pin	Signal
1	Ground
2	DC in +10V to +25V
3	Ground
4	NC
5	Opto In 1-
6	Opto In 1+
7	Opto Out 1-
8	Opto Out 1+
9	TTL Out 1
10	TTL In 1
11	DC in +10V to +25 V
12	Ground

### Auxiliary Connector

Type: 3260-10S3(55) HIROSE or equivalent

Pin	Signal	Note
1	TTL Out 2	Line 8
2	NC	
3	TTL In 2	Line 10
4	NC	
5	GND	GND
6	Lens Power	DC 9V
7	RS-232C Tx	For lens control
8	RS-232C Rx	For lens control
9	GND	
10	GND	

## Spectral response



Company and product names mentioned in this datasheet are trademarks or registered trademarks of their respective owners. JAI-A-S cannot be held responsible for any technical or typographical errors and reserves the right to make changes to products and documentation without prior notice.



See the possibilities