



LAND ROVER DEFENDER 90 SIDE STEP FITTING GUIDE



INTRODUCTION

Sidesteps UK offer a durable, eye catching and hard-wearing side step that is easy to fit and enhances the look of your vehicle. Our Defender side steps are designed and manufactured by us in the UK. The steps can support a weight of up to 300kgs. This guide will take you step by step through the process of installing your new side steps.

TOOLS & EQUIPMENT

You will need the following tools & equipment to correctly install your side steps:

- 15 mm Socket
- 13 mm Socket
- Socket Driver
- 13mm Spanner
- Plastic cutting tool
- Knife or powered cutting tool

PARTS LIST

The following parts and fixings should be supplied with your side steps. Please check you have the necessary parts before beginning your installation:

Parts:

- Right Hand Side Step
- Left Hand Side Step

Fixings:

- 4 x M10 x 60mm Bolts



HEALTH & SAFETY INFORMATION

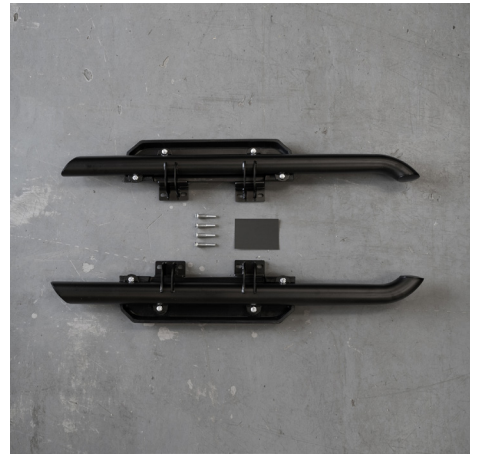
When carrying out work to any car or van suitable PPE should be worn such as steel toe cap shoes. When any cutting or trimming of metal parts is being carried out goggles and hearing protection should be worn. Gloves should be used when using hazardous chemicals such as adhesives.

FITTING INSTRUCTIONS

STEP 1.

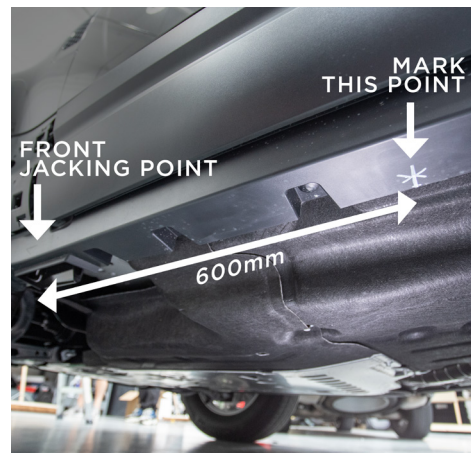
Make sure you have all the parts and tools that you may need. Ensure the car is parked on flat, level ground with the car in park and the handbrake or parking brake applied. We recommend reading through all the instructions first before beginning your installation. This will help to familiarise yourself with the process.

DO NOT REMOVE ANY SILLS OR PANELS FROM THE VEHICLE



STEP 2.

Measure from the front jacking point centre 600mm to the rear of the outer sill and mark underneath. This is the centre of the front bracket mounting for the steps.



STEP 3.

Measure from the rear jacking point centre 370mm to the front of the outer sill and mark underneath, this is the centre of the rear bracket mounting.



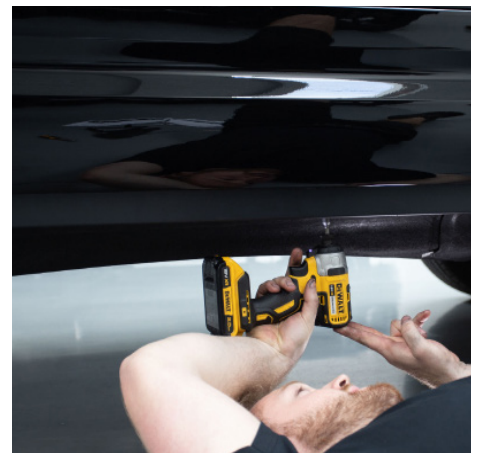
STEP 4.

Use a craft knife to cut out a small rectangle of plastic 70mm x 125mm leaving 10 mm at the outer edge of sill (the plastic is soft and easy to cut so take care not to slip and remove more than you need to).



STEP 5.

Using a 13mm socket to remove any bolts that are already up in to the sill floor. Keep them to one side.



STEP 6.

Now hold the steps in place. Bolting through the arms of the steps with the bolts you just removed. Then add the remaining bolts provided in the bolt kit. Tighten all bolts so the step is securely fixed.



STEP 7.

Pull the shrink wrap off the ends of the tubes and repeat process on the other side of the vehicle.





TROUBLESHOOTING

If you encounter any problems with this product please do not hesitate to contact our team. We have many years of experience in designing and fitting parts to vehicles and will do our utmost to help where we can.

Get in touch:

+44(0)1908 978 979
sales@sidesteps.co.uk

Sidesteps UK
40 Tanners Dr
Blakelands
Milton Keynes
MK14 5BN
UNITED KINGDOM

www.sidesteps.co.uk