

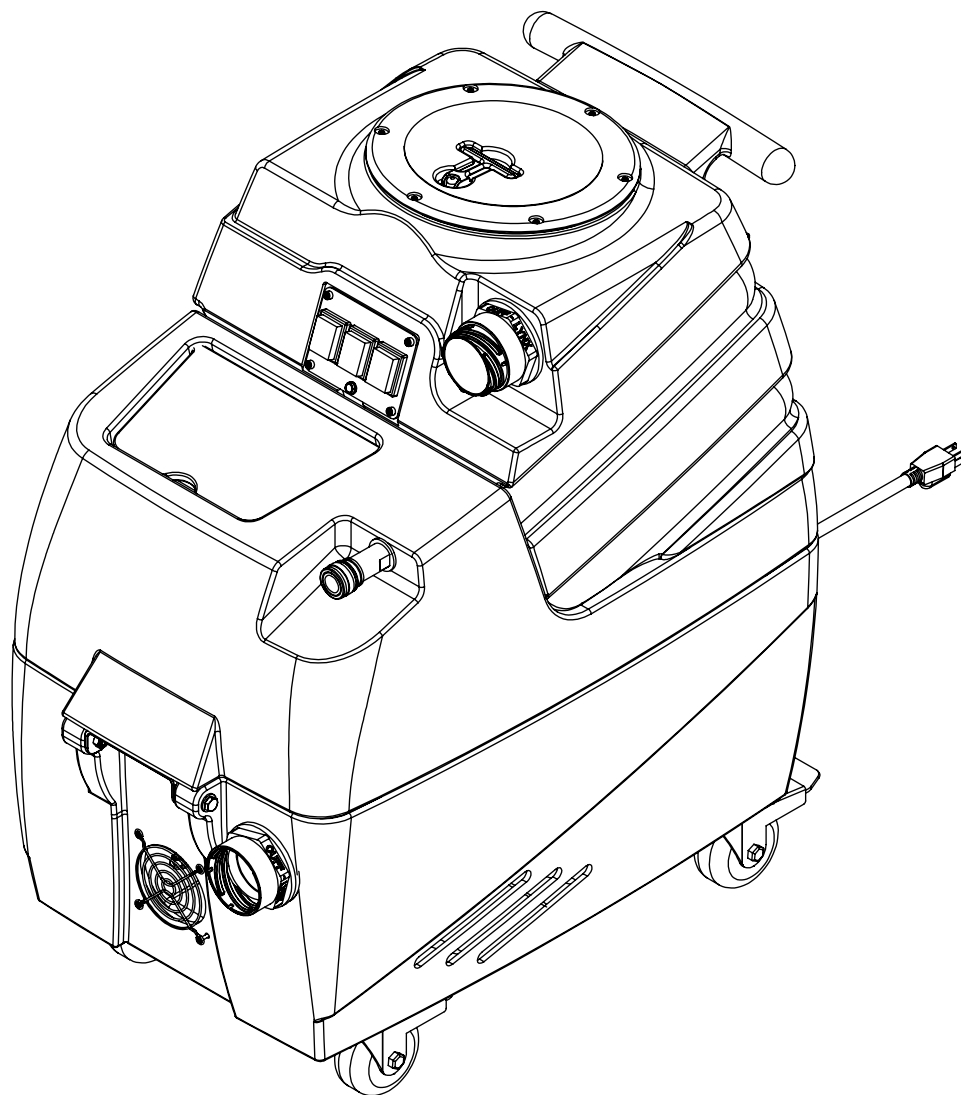


User Manual

Spyder™

**Model:
HP60**

REV. 3/24/22



13655 Stowe Dr. Poway, CA 92064

P: (858) 679-1191

F: (858) 726-6005

www.mytee.com

Introduction

Dear Customer:

Congratulations on the purchase of your new Spyder™ Automotive Detailing Extractor. As technology continues to develop you can work confidently knowing that both Mytee and its employees are equally dedicated to developing with the industry and its advances.

Like any other piece of machinery or technology, the Spyder™ also requires proper maintenance and care to keep the product working over extended use. Neglecting your machine, abusing it or not operating it properly can void its warranty and prevent the machine from performing to the quality and standard you'd expect out of the Mytee line.

If you have any warranty concerns or questions, please review this manual thoroughly or do not hesitate to contact your distributor. If there are questions regarding maintenance, replacement, or ordering parts please contact an authorized Mytee Service Center. Visit www.mytee.com/support/find-distributors to find your nearest Service Center.

Before using your Mytee product, please read this manual thoroughly.

Sincerely,

Mytee Customer Care Dept.

	Important Safety Information	4
1	At a Glance	6
	1.1 - Technical Specifications	6
	1.2 - Included with the Spyder™	6
	1.3 - Spyder™ Front View	7
	1.4 - Spyder™ Rear View	8
2	Machine Operation	9
	2.1 - Powering the Spyder™	9
	2.2 - Filling the Solution Tank	9
	2.3 - Connecting the Hoses	9
	2.4 - Operating the Spyder™	9
	2.5 - Emptying the Tanks	10
3	Machine Maintenance	11
	3.1 - Opening the Unit for Maintenance	11
	3.2 - Filter Maintenance	11
	3.3 - System Maintainer	11
4	Troubleshooting	12

Important Safety Information

Please read and understand this manual completely before operating this machine.

Grounding Instructions

This machine must be grounded. If it should malfunction or break down, grounding provides a path of least resistance for electrical shock. This machine is equipped with a cord having an equipment-grounding conductor and grounding plug. The plug must be plugged into an appropriate outlet that is properly installed in accordance with all local code and ordinances. Do not remove ground pin; if missing, replace plug before use.



DANGER

Improper installation of the equipment-grounding conductor can result in a risk of electric shock. Be sure to check with a qualified electrician or service person if you are in doubt as to whether the outlet is properly grounded. If the plug will not fit in the outlet do not modify the plug or the machine's cord, instead have a proper outlet installed by a qualified technician.

This machine is for use on a nominal 120-volt circuit and with a grounding plug similar to the one in Figure 1 below. If a proper outlet is not available, follow the illustrations of Figure 2 & 3 to install a temporary-grounding plug. This temporary work-around should be used only until a proper outlet (Figure 1) can be installed by a qualified electrician. When and if this type of adapter is employed, screw the adapter's extended tab into place with a metal screw. However, grounding adapters are not approved for use in Canada.

Again, be sure to check the grounding pin for damages and replace if necessary.

The Green, or Green-Yellow, wire in the cord is the grounding wire. When replacing a plug, this wire must be attached to only the grounding pin.

DO NOT use extension cords.

Please Note for America use only.

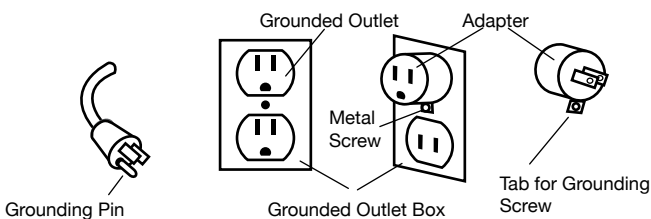


Figure 1

Figure 2

Figure 3

Parts and Service

Please contact Mytee service personnel or a Mytee authorized Service Center using Mytee original replacement parts and accessories if repairs need to be performed. When and if calling Mytee for support, please have your Model and Serial Number available for faster assistance.

Name Plate

The Model and Serial Number are located on the lower half of the back of the machine near the power plug and will be required for ordering replacement parts. You can use the space provided in this manual to note down both for future referencing.

Unpacking the Machine

When your new machine is delivered, please carefully inspect both the shipping carton and the machine for damages. If damage is evident, save both the shipping carton and machine so that the delivering carrier can inspect it. Contact the carrier immediately to file a freight claim if there has been any damage.

Caution and Warnings

Symbols

Mytee uses the symbols below to signal potentially dangerous conditions. Always read this information carefully and take the necessary steps to protect personnel and property.



DANGER

Is used to warn of immediate hazards that will cause severe personal injury or death.



WARNING

Is used to call attention to a situation that could cause severe personal injury.



CAUTION

Is used to call attention to a situation that could cause minor personal injury or damage to the machine or other property. When using an electrical appliance, basic precautions should always be followed, including the following: Read all instructions before using this machine. This product is intended for commercial use only.

Important Safety Information

To reduce the risk of fire, electrical shock, or injury:

- 1.** Read all instructions before using equipment. Use only as described in this manual. Use only manufacturer's recommended attachments.
- 2.** Always unplug power cord from electrical outlet before attempting any adjustments or repairs.
- 3.** Do not unplug by pulling on cord. To unplug, grasp the plug, not the cord.
- 4.** Do not pull or carry by cord. Do not close a door on cord or pull cord around sharp edges or corners.
- 5.** Do not run appliance over cord. Keep cord away from heated surfaces.
- 6.** Do not use with damaged cord or plug. If cord is damaged, repair immediately.
- 7.** Do not use outdoors or on wet surfaces and/or standing water.
- 8.** Always unplug or disconnect the appliance from power supply when not in use.
- 9.** Do not allow to be used as a toy. Close attention is necessary when used by or near children.
- 10.** Do not use in areas where flammable or combustible material may be present.
- 11.** Do not leave the unit exposed to harsh weather elements. Temperatures below freezing may damage components and void warranty.
- 12.** Use only the appropriate handles to move and lift unit. Do not use any other parts of this machine for this purpose.
- 13.** Keep hair, loose clothing, fingers, and all parts of the body away from all openings and moving parts.
- 14.** Use extra care when using on stairs.
- 15.** To reduce the risk of fire or electric shock, do not use this machine with a solid-state speed control device.
- 16.** The voltage and frequency indicated on the name plate must correspond to the wall receptacle supply voltage.
- 17.** When cleaning and servicing the machine, local or national regulations may apply to the safe disposal of liquids which

may contain: chemicals, grease, oil, acid, alkalies, or other dangerous liquids.

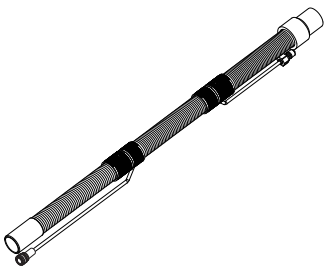
- 18.** Do not leave operating unattended.

1 - At a Glance

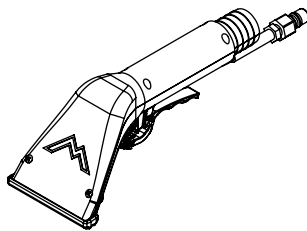
1.1 - Technical Specifications

Solution Tank	5 gallon capacity (approx.)
Recovery Tank	5 gallon capacity
Vacuum Motor	Single 3-stage low amp 100 CFM, 130" water lift
Pump	120 PSI diaphragm pump 1.3 GPM
Heater	1,200W REAL HEAT™ system 210° max.
Casters	3" locking
Power Cord	Single 25' 12/3
Amp Draw	20 amps @ 115V 60Hz 10 amps @ 230V 50Hz
Product Weight	82 lbs.
Shipping Weight	90 lbs.
Product Dimensions	25" x 15.5" x 29.5"
Shipping Dimensions	28" x 16" x 34"

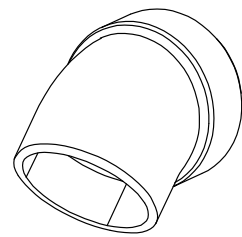
1.2 - Included with the Spyder™



15' Vac and Solution Hose Combo
part # 8501V

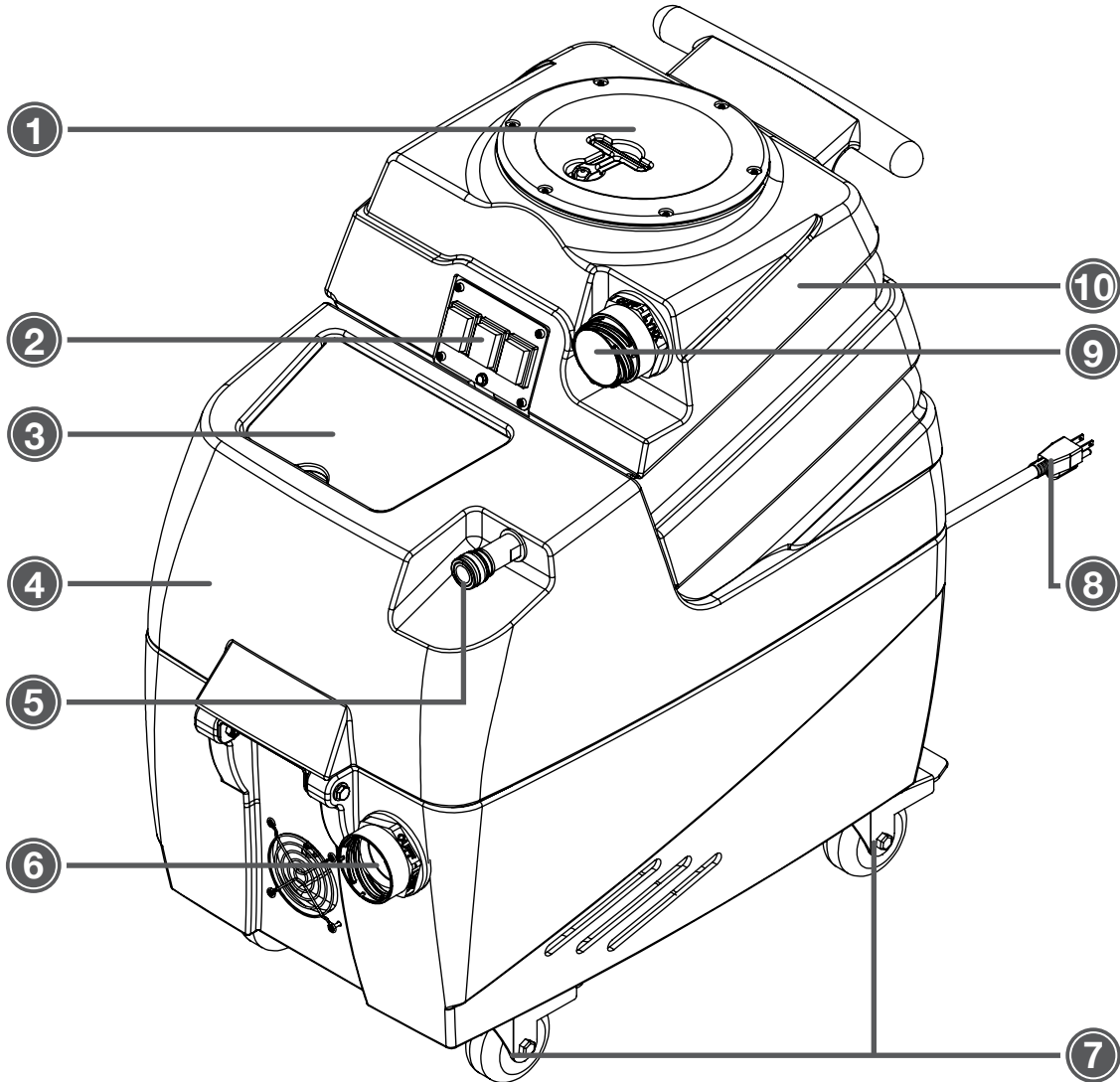


Air Lite™ Upholstery Tool
part # 8400P



45° Drain Spout
part # H226

1.3 - Spyder™ Front View

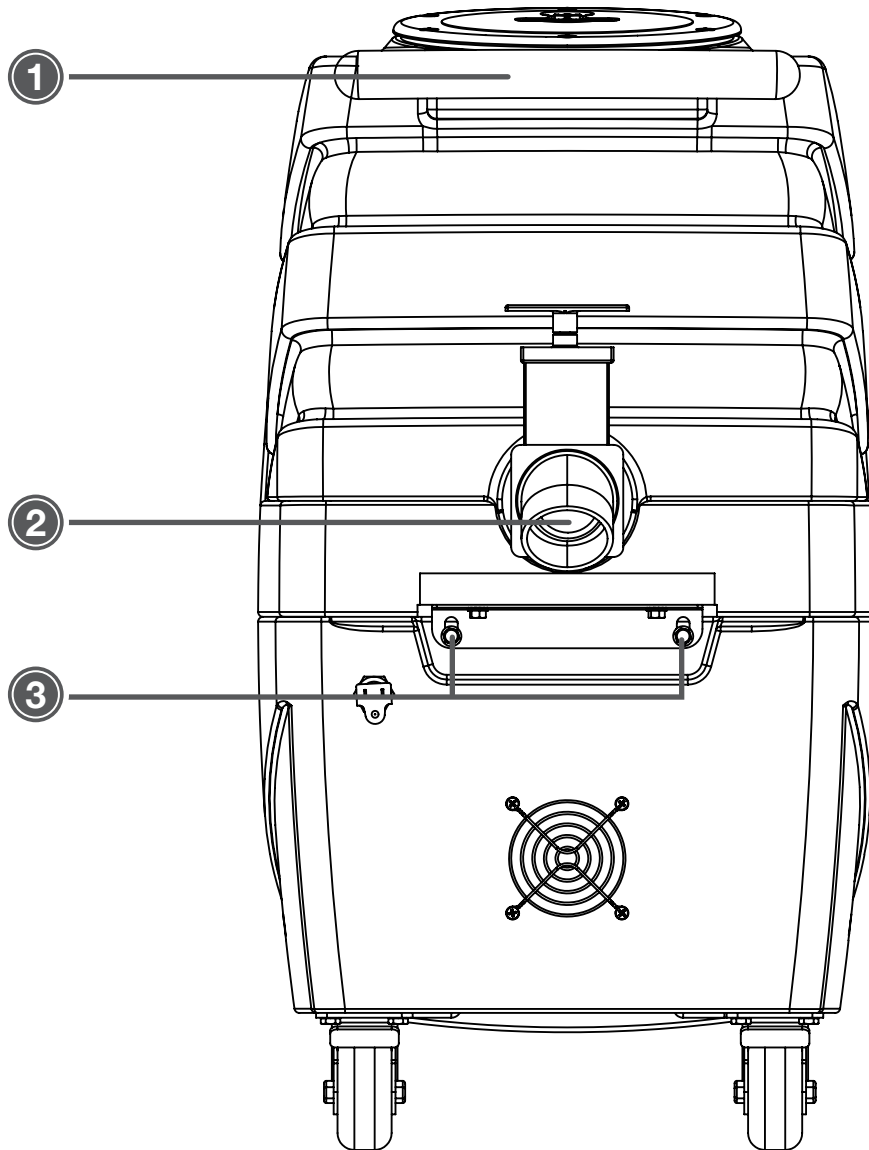


- 1. Clear recovery tank lid
- 2. Switch plate
- 3. Solution tank lid
- 4. Solution tank
- 5. Solution line connection

- 6. Vacuum exhaust
- 7. Locking casters
- 8. Power cord
- 9. Cuff-Lynx™ vacuum hose connection
- 10. Recovery tank

1 - At a Glance

1.4 - Spyder™ Rear View



1. Handle

2. Drain valve with 45° drain spout

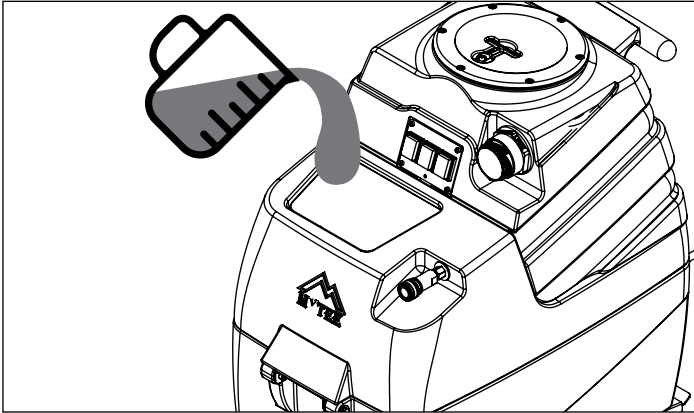
3. Rear body bracket screws

2 - Machine Operation

2.1 - Powering the Spyder™

Plug the power cord from the Spyder™ into a standard grounded wall outlet. The Spyder™ operates off a single, grounded 20 amp outlet. ♦

2.2 - Filling the Solution Tank



Lift the tank lid and, using a bucket, fill the solution tank via the large opening. For best results, use warm water. ♦

2.3 - Connecting the Hoses



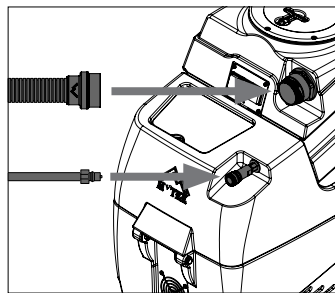
Do not operate machine with a spray nozzle orifice smaller than #2. This can damage the pump switch.



Do not pull on hoses in order to move the unit. Use only the appropriate handles.

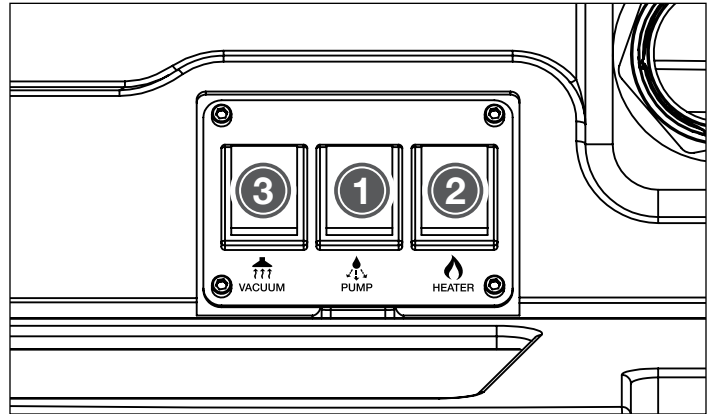
Connect the vacuum hose to the Cuff-Lynx hose connection on the vacuum tank. Twist clockwise to lock into place.

Connect the solution hose to the brass quick connect fitting on the base of the machine. To connect, pull back the flange on the female fitting from the hose and slide onto the male fitting on the machine. Release to lock fittings together.



The vacuum exhaust can be used to help dry interiors. Connect a 2" vacuum hose using a 2" male Cuff-Lynx™ (H136V) or a 1.5" hose using a 1.5" to 2" Cuff-Lynx (H145V). Turn on the vacuum to begin blow drying. ♦

2.4 - Operating the Spyder™



In order to avoid vapor locking the unit, the components should be switched on by following the procedure below after a cleaning tool is connected:

1. Turn pump switch on. Pull the lever on the cleaning tool to release air in the line. Hold lever until a steady flow of water comes out of the tool.
2. Once pump is primed and there is pressure in the solution line, turn on heater switch and wait a few minutes for water to heat up.
3. Once water is heated, turn on vacuum and begin cleaning.

Note: When cleaning upholstery, always check manufacturer's cleaning instructions.



Use only low foam or non foaming detergent or shampoo. Damage due to excessive foam will void warranty.



Empty the vacuum tank any time you refill the solution tank in order to prevent vacuum tank overfilling.

Cleaning Procedure

For best results when extracting, do one wet pass followed by two dry passes. This ensures you're not over-soaking the material and keeps water temperature higher.

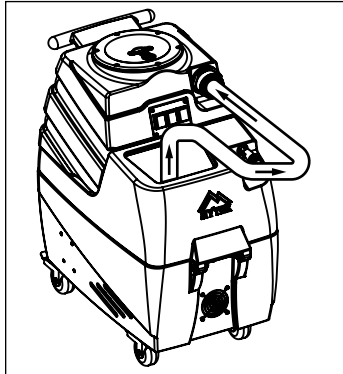
The solution pump will only turn on when there is a pressure demand (e.g., while spraying with cleaning tool, or right at startup). If the pump is continuously running or pulsing, it **does not** necessarily mean that it is defective. **If the pump is not producing the correct pressure and flow, see the**

2 - Machine Operation

Troubleshooting section of this manual. ♦

2.5 - Emptying the Tanks

Empty the recovery tank via the drain valve on the rear of the machine. Make sure there is a bucket in place under the valve or the machine is in a position so the dirty water is drained safely.



Any leftover solution in the solution tank can be sucked out of the tank using the vacuum hose and drained from the recovery tank. ♦

3 - Machine Maintenance

In order to keep the Spyder™ running smoothly and reduce the risk of damage to the machine and subsequent downtime, Mytee recommends following the maintenance schedule below:

Maintenance Item	Daily	Weekly
Clean and inspect tanks.	X	
Clean and inspect hoses.	X	
Check and clean internal filters.	X	
Check power supply cable.	X	
Clean machine with all-purpose cleaner and cloth.	X	
Check spray nozzles.	X	
Flush solution system with Mytee System Maintainer.		X
Inspect vacuum hoses for holes and loose cuffs.		X
Inspect spray pattern for clogging. If clogged, remove spray tips and soak them in a recommended liquid neutralizer for up to six hours. To remove spray tip, twist spray tip body counter-clockwise.		X
Lubricate casters with water resistant oil.		X
Inspect machine for water leaks and loose hardware.		X

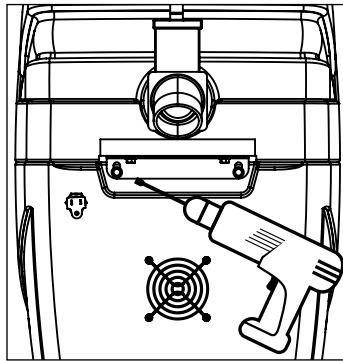
hard water scaling that builds up in the system.

How to use System Maintainer:

1. Thoroughly mix System Maintainer with warm water at a 1:1 ratio in a separate container. Pour into your Extractor's solution tank.
2. Connect a cleaning tool (upholstery tool, wand, etc.) and remove the jet(s) in order to prevent clogging from dislodged mineral build-up.
3. Turn on the Extractor's pump and run the System Maintainer solution through the system and into a bucket or receptacle until you have a solid stream.
4. Let sit for about 5 minutes while the System Maintainer solution does its job inside your Extractor.
5. Finish running the rest of the solution through the system.
6. Run clean water through the system to flush out any remaining System Maintainer. ♦

3.1 - Opening the Unit for Maintenance

To open your Spyder™ for maintenance, use a drill with a 3/8" bit to remove the screws holding the Spyder's™ body together. Lift up on the push handle to open the machine like a clam shell. ♦



3.2 - Filter Maintenance

The Spyder™ has a small filter at the top of the vacuum stack in the recovery tank. This filter should be checked after each use. ♦

3.3 - System Maintainer

Regular flushing of the solution system with Mytee System Maintainer keeps your extractor running efficiently by removing

Do not tamper with the set screw on the pump pressure switch. This can damage the pressure switch.

4 - Troubleshooting

Issue	Possible Cause	Solution
Machine is not turning on.	Power cord unplugged.	Plug the power cord into a grounded 20 amp outlet.
	Circuit breaker tripped in building.	Reset breaker in building.
	Faulty switch or power cord.	Contact a Mytee Service Center.
Poor solution flow.	Jet is clogged.	Unclog the jet by removing and soaking in a vinegar and water solution. Scrub with a soft brush. Repeat if necessary.
	Blockage or clog in solution line.	Run System Maintainer through machine.
Pump continuously runs/pulses without producing correct pressure/flow.	Leak in solution line between pump and cleaning tool.	Find leak and repair or replace hose if necessary.
	Pump switch failure. This can be caused by various issues: <ul style="list-style-type: none"> • Nozzle tip clogged or too small, causing rapid switch cycling. • Check valve failure between pump and heater causing hot water to return to pump and damage switch. • Pump inlet port is cracked causing pump to suck in air. • Damaged pump switch housing. 	Contact a Mytee Service Center.
Water is not pumping out of machine.	Vapor lock from turning on heater before pump.	Turn off the heater and allow the machine to cool completely. After machine has cooled, follow the machine startup procedure in section 2.4 of this manual.
Vacuum/pump/ heater not turning on.	Bad power switch.	Check power switch by transferring wires from the switch in question to another switch. See if that switch turns on the component in question. Replace switch if necessary.
Vacuum not producing suction.	Vacuum tank is full.	Empty vacuum tank.
	Vacuum hose blockage.	Check for blockages in vacuum hoses inside and outside machine.
Blows water out exhaust.	Foam building up inside vacuum tank.	Use a defoaming solution in vacuum tank or use low foam or non foaming detergent/shampoo.
Water is not getting hot.	Automatic (black) sensor failure causing manual (white) sensor to trip.	Reset the manual (white) sensor by pressing the small button on it. If the manual sensor continues to trip, replace the automatic (black) sensor (part no. E573).

NOTES



Mytee, LLC
13655 Stowe Dr.
Poway, CA 92064
www.mytee.com

© 2022 Mytee, LLC