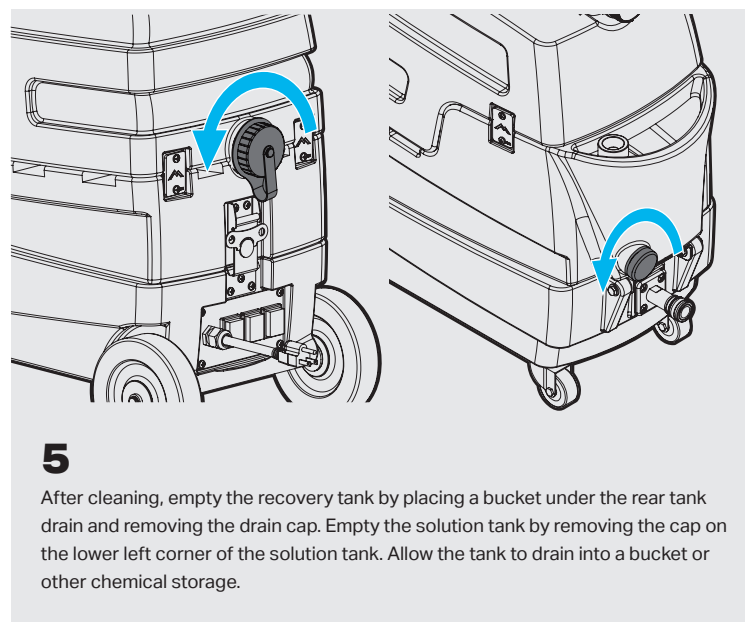
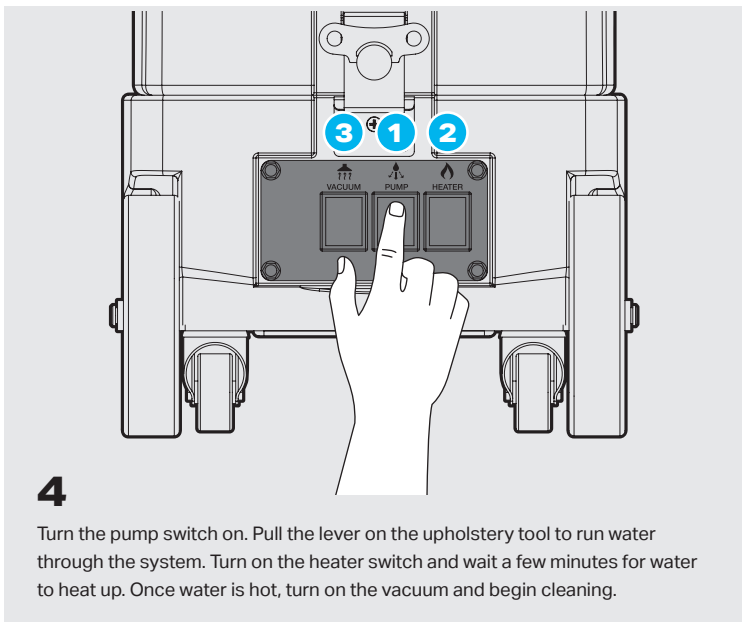
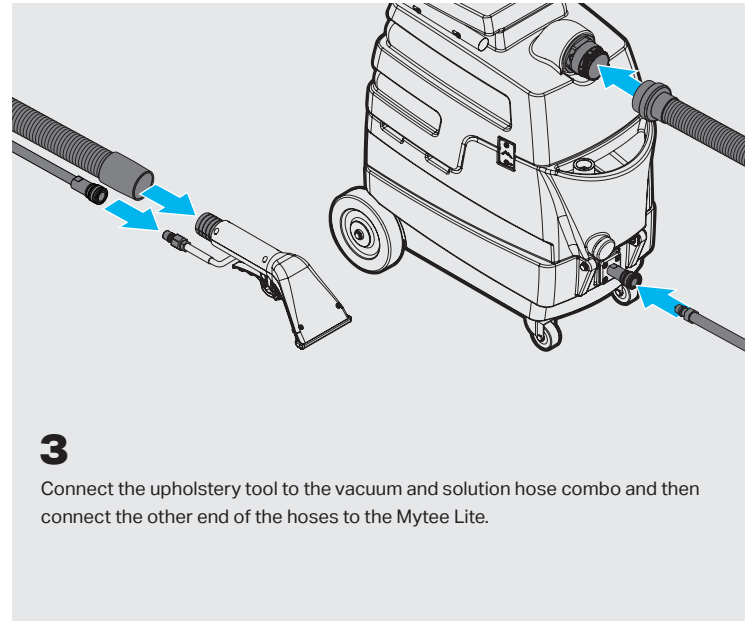
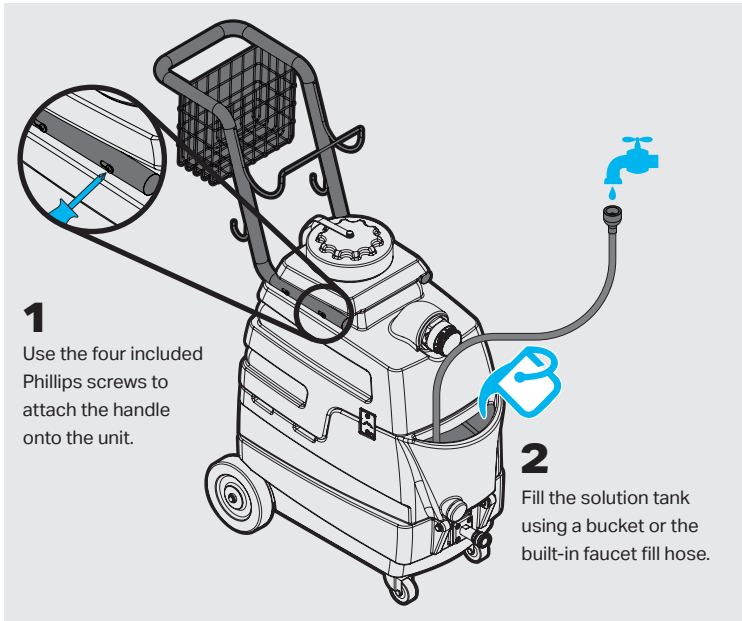


# quick start guide

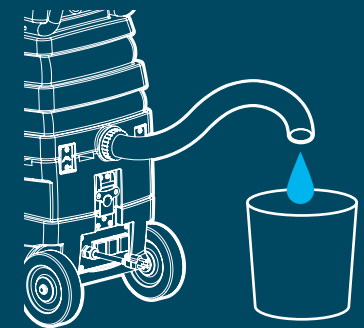


## Mytee Lite™ 8070



### CAUTION

It's important to empty the vacuum tank any time you refill the solution tank in order to prevent the vacuum tank from overfilling.



The Mytee Lite™ comes with a drain hose attachment that can be connected to the rear recovery tank drain. With an empty tank, remove the drain cap and screw on the drain hose. The drain hose allows you to easily empty the tank into a bucket or other receptacle.