

quick start guide



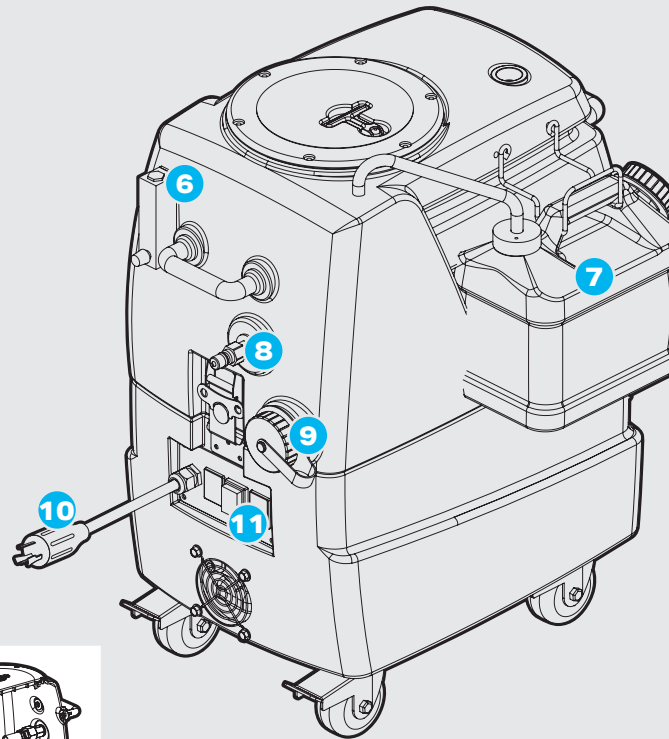
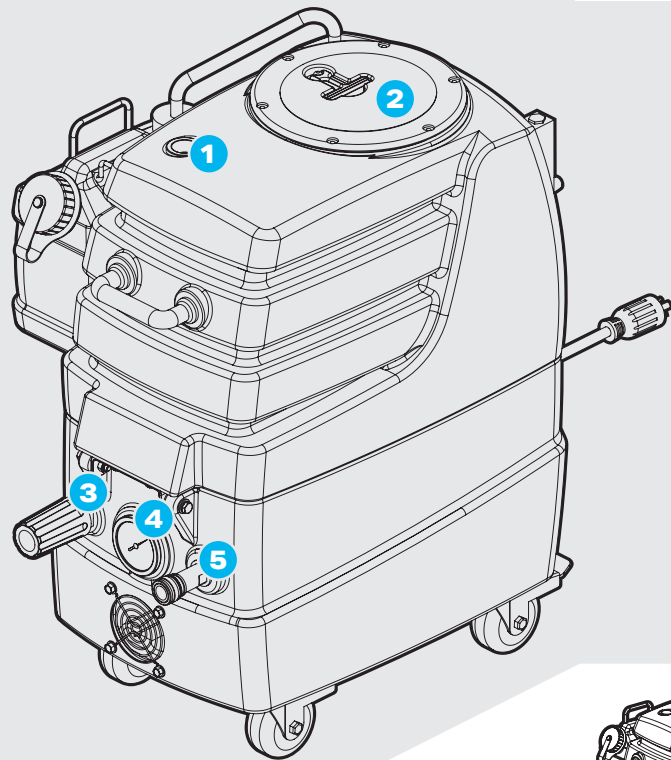
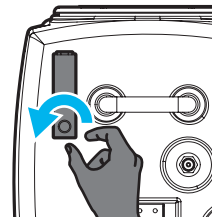
Water Hog™ 7304

- 1** **Faucet fill hose.** Press onto any faucet spout to fill the tank.
- 2** **Clear tank lid.** Allows you to see how much water remains in the tank.
- 3** **Pressure regulator.**
- 4** **PSI gauge.**
- 5** **Quick connect fitting.** Connect solution hose or spray gun here.

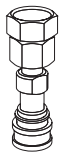
- 6** **Chemical injection meter.** Use to dial in amount of chemical being siphoned into the system in gallons per hour (GPH).
- 7** **5 qt. chemical storage bottle.**

Instructions:

- 1. Connect solution line.
- 2. Put chemical in 5 qt. bottle.
- 3. Turn on pump.
- 4. While spraying water, turn the dial on the meter counterclockwise until bubble reaches desired level.

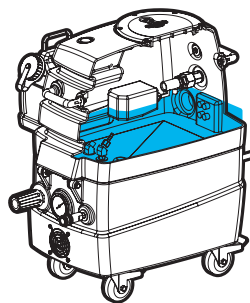


- 8** **Auto-fill connection.** Connect garden hose to auto-fill using included adapter.



Instructions:

- 1. Connect garden hose.
- 2. Turn on water source and fill tank to the float switch.
- 3. Turn on pump and begin cleaning.



- 9** **Tank drain cap.**

- 10** **Twist-lock power cord pigtail.** Included 50' power cord twists on.

- 11** **Pump switch.** Turns on the solution pump.



CAUTION

When using the auto-fill feature, be sure to let the tank fill until the float switch shuts off the water before turning on the solution pump. This will provide a constant flow of water and will prevent the pump from starving.

If you are not using the chemical injection, make sure the chemical injection meter knob is closed by turning it all the way clockwise.