

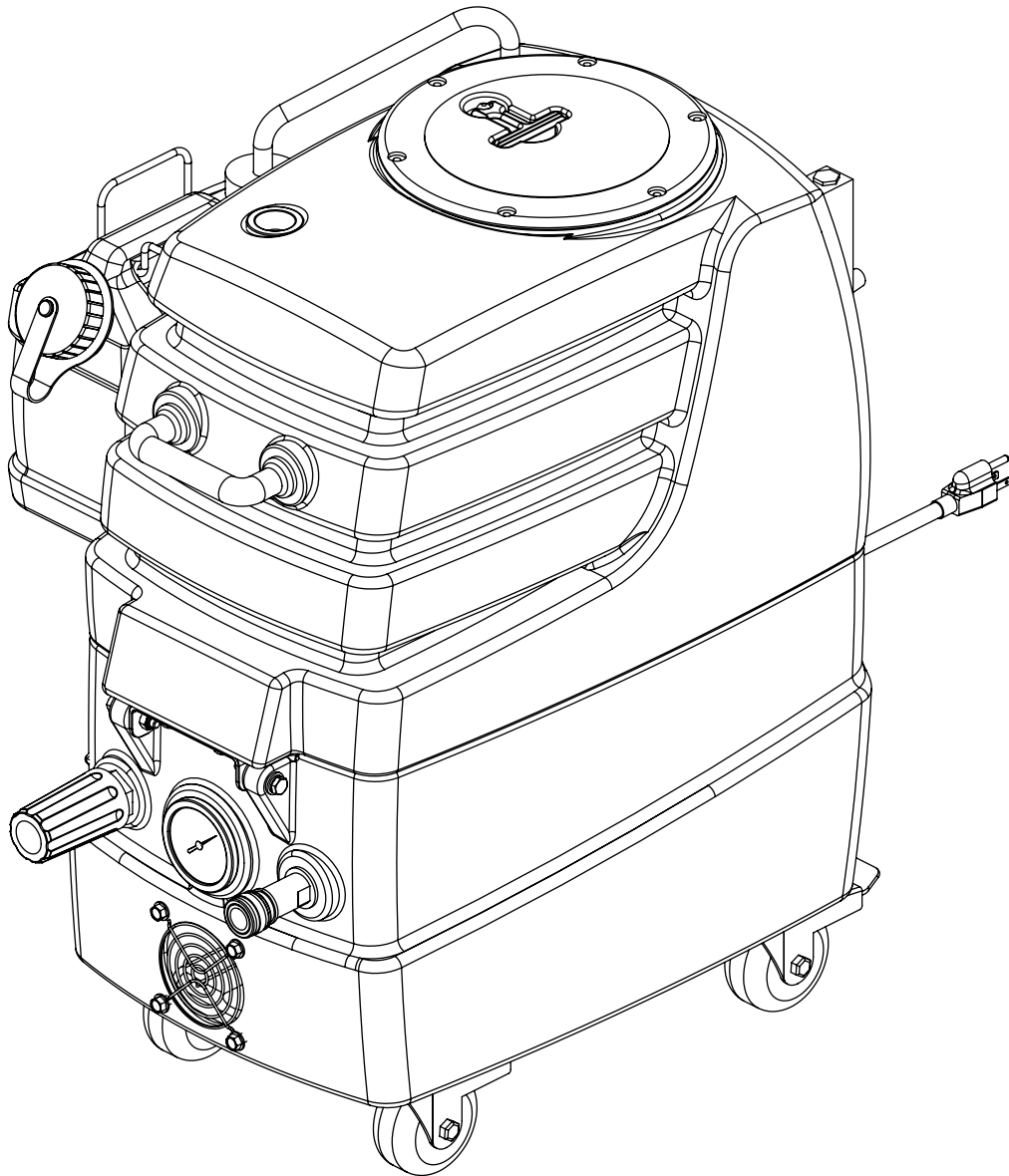


User Manual

Water Hog™

Model:
7304

REV. 3/11/22



13655 Stowe Dr. Poway, CA 92064
P: (858) 679-1191
F: (858) 726-6005
www.mytee.com

Dear Customer:

Congratulations on the purchase of your new Water Hog™ Commercial Pressure Sprayer. As technology continues to develop you can work confidently knowing that both Mytee and its employees are equally dedicated to developing with the industry and its advances.

Like any other piece of machinery or technology, the 7304 also requires proper maintenance and care to keep the product working over extended use. Neglecting your machine, abusing it or not operating it properly can void its warranty and prevent the machine from performing to the quality and standard you'd expect out of the Mytee line.

If you have any warranty concerns or questions, please review this manual thoroughly or do not hesitate to contact your distributor. If there are questions regarding maintenance, replacement, or ordering parts please contact an authorized Mytee Service Center. Visit www.mytee.com/support/find-distributors to find your nearest Service Center.

Before using your Mytee product, please read this manual thoroughly.

Sincerely,
Mytee Customer Care Dept.

	Important Safety Information	4
1	At a Glance	6
	1.1 - Technical Specifications	6
	1.3 - Water Hog™ Front View	6
	1.4 - Water Hog™ Rear View	7
	1.5 - Switch Plate	8
2	Machine Operation	9
	2.1 - Powering the Water Hog™	9
	2.2 - Connecting Hoses	9
	2.3 - Filling the Tank	9
	2.4 - Chemical Injection	10
	2.5 - Operating the Water Hog™	10
	2.6 - Emptying the Tank	10
3	Machine Maintenance	11
	3.1 - Filter Maintenance	11
4	Available Accessories	12
5	Troubleshooting	13

Important Safety Information

Grounding Instructions

This machine must be grounded. If it should malfunction or break down, grounding provides a path of least resistance for electrical shock. This machine is equipped with a cord having an equipment-grounding conductor and grounding plug. The plug must be plugged into an appropriate outlet that is properly installed in accordance with all local code and ordinances. Do not remove ground pin; if missing, replace plug before use.



DANGER

Improper installation of the equipment-grounding conductor can result in a risk of electric shock. Be sure to check with a qualified electrician or service person if you are in doubt as to whether the outlet is properly grounded. If the plug will not fit in the outlet do not modify the plug or the machine's cord, instead have a proper outlet installed by a qualified technician.

This machine is for use on a nominal 120-volt circuit and with a grounding plug similar to the one in Figure 1 below. If a proper outlet is not available, follow the illustrations of Figure 2 & 3 to install a temporary-grounding plug. This temporary work-around should be used only until a proper outlet (Figure 1) can be installed by a qualified electrician. When and if this type of adapter is employed, screw the adapter's extended tab into place with a metal screw. However, grounding adapters are not approved for use in Canada.

Again, be sure to check the grounding pin for damages and replace if necessary.

The Green, or Green-Yellow, wire in the cord is the grounding wire. When replacing a plug, this wire must be attached to only the grounding pin.

DO NOT use extension cords.

Please Note for America use only.

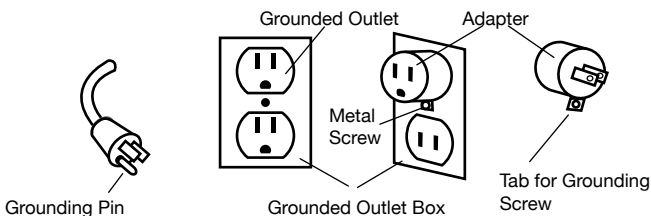


Figure 1

Figure 2

Figure 3

Parts and Service

Please contact Mytee service personnel or a Mytee authorized Service Center using Mytee original replacement parts and accessories if repairs need to be performed. When and if calling Mytee for support, please have your Model and Serial Number available for faster assistance.

Name Plate

The Model and Serial Number are located on the lower half of the back of the machine near the power plug and will be required for ordering replacement parts. You can use the space provided in this manual to note down both for future referencing.

Unpacking the Machine

When your new machine is delivered, please carefully inspect both the shipping carton and the machine for damages. If damage is evident, save both the shipping carton and machine so that the delivering carrier can inspect it. Contact the carrier immediately to file a freight claim if there has been any damage.

Caution and Warnings

Symbols

Mytee uses the symbols below to signal potentially dangerous conditions. Always read this information carefully and take the necessary steps to protect personnel and property.



DANGER

Is used to warn of immediate hazards that will cause severe personal injury or death.



WARNING

Is used to call attention to a situation that could cause severe personal injury.



CAUTION

Is used to call attention to a situation that could cause minor personal injury or damage to the machine or other property. When using an electrical appliance, basic precautions should always be followed, including the following: Read all instructions before using this machine. This product is intended for commercial use only.

To reduce the risk of fire, electrical shock, or injury:

1. Read all instructions before using equipment.

Important Safety Information

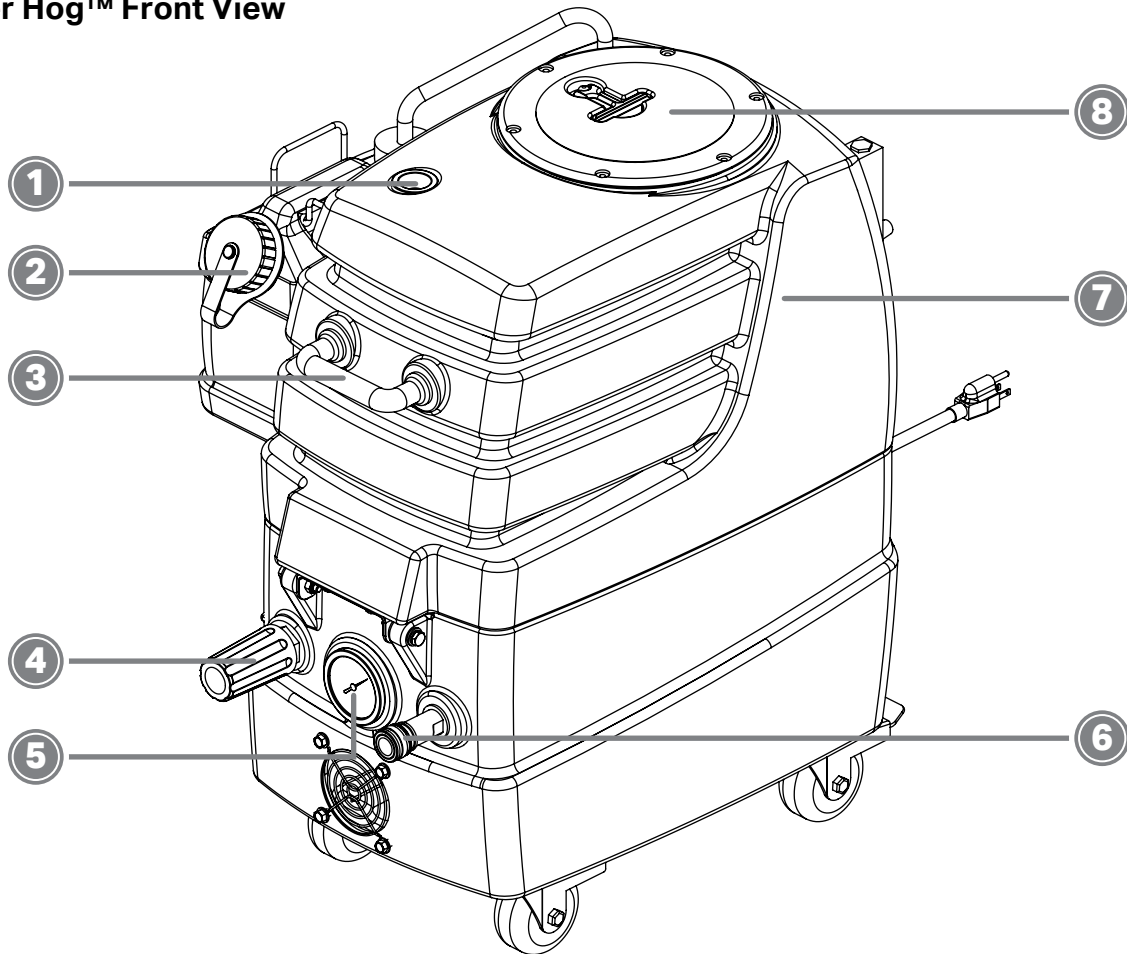
- 2.** Use only as described in this manual. Use only manufacturer's recommended attachments.
- 3.** Always unplug power cord from electrical outlet before attempting any adjustments or repairs.
- 4.** Do not unplug by pulling on cord. To unplug, grasp the plug, not the cord.
- 5.** Do not pull or carry by cord. Do not close a door on cord or pull cord around sharp edges or corners.
- 6.** Do not run appliance over cord. Keep cord away from heated surfaces.
- 7.** Do not use with damaged cord or plug. If cord is damaged, repair immediately.
- 8.** Do not use outdoors or on wet surfaces and/or standing water.
- 9.** Always unplug or disconnect the appliance from power supply when not in use.
- 10.** Do not allow to be used as a toy. Close attention is necessary when used by or near children.
- 11.** Do not use in areas where flammable or combustible material may be present.
- 12.** Do not leave the unit exposed to harsh weather elements. Temperatures below freezing may damage components and void warranty.
- 13.** Use only the appropriate handles to move and lift unit. Do not use any other parts of this machine for this purpose.
- 14.** Keep hair, loose clothing, fingers, and all parts of the body away from all openings and moving parts.
- 15.** Use extra care when using on stairs.
- 16.** To reduce the risk of fire or electric shock, do not use this machine with a solid-state speed control device.
- 17.** The voltage and frequency indicated on the name plate must correspond to the wall receptacle supply voltage.
- 18.** When cleaning and servicing the machine, local or national regulations may apply to the safe disposal of liquids which may contain: chemicals, grease, oil, acid, alkalines, or other dangerous liquids.
- 19.** Do not leave operating unattended.

1 - At a Glance

1.1 - Technical Specifications

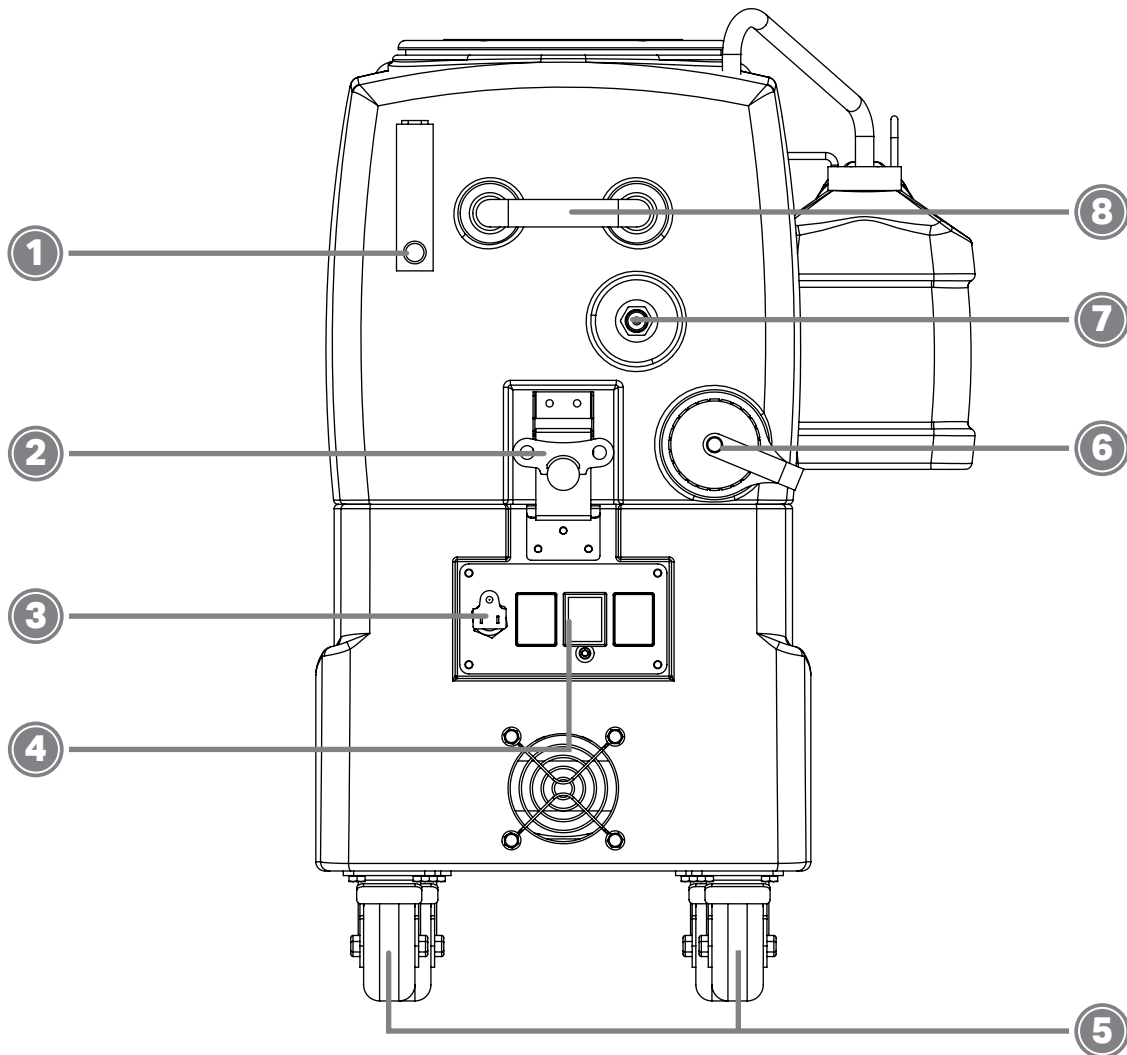
Tank	9 Gallons (approx.), faucet-fill hose, auto-fill
Pump	Adjustable 1,200 PSI (regulated to 1,000 PSI), 2 GPM
Locking Casters	3"
Power Cord	25' 12/3
Power Consumption	14 amps @ 115V 60Hz
Machine Weight	50 lbs.
Machine Dimensions	21" x 12" x 27"

1.2 - Water Hog™ Front View



- | | |
|----------------------------|------------------------------------|
| 1. Faucet-Fill Hose | 5. Pump Pressure Gauge (PSI) |
| 2. 5 qt. Big Mouth™ Bottle | 6. Female Quick Connect for Output |
| 3. Front Carrying Handle | 7. 9 Gallon (approx.) Tank |
| 4. Pressure Regulator | 8. Clear Tank Lid |

1.3 - Water Hog™ Rear View

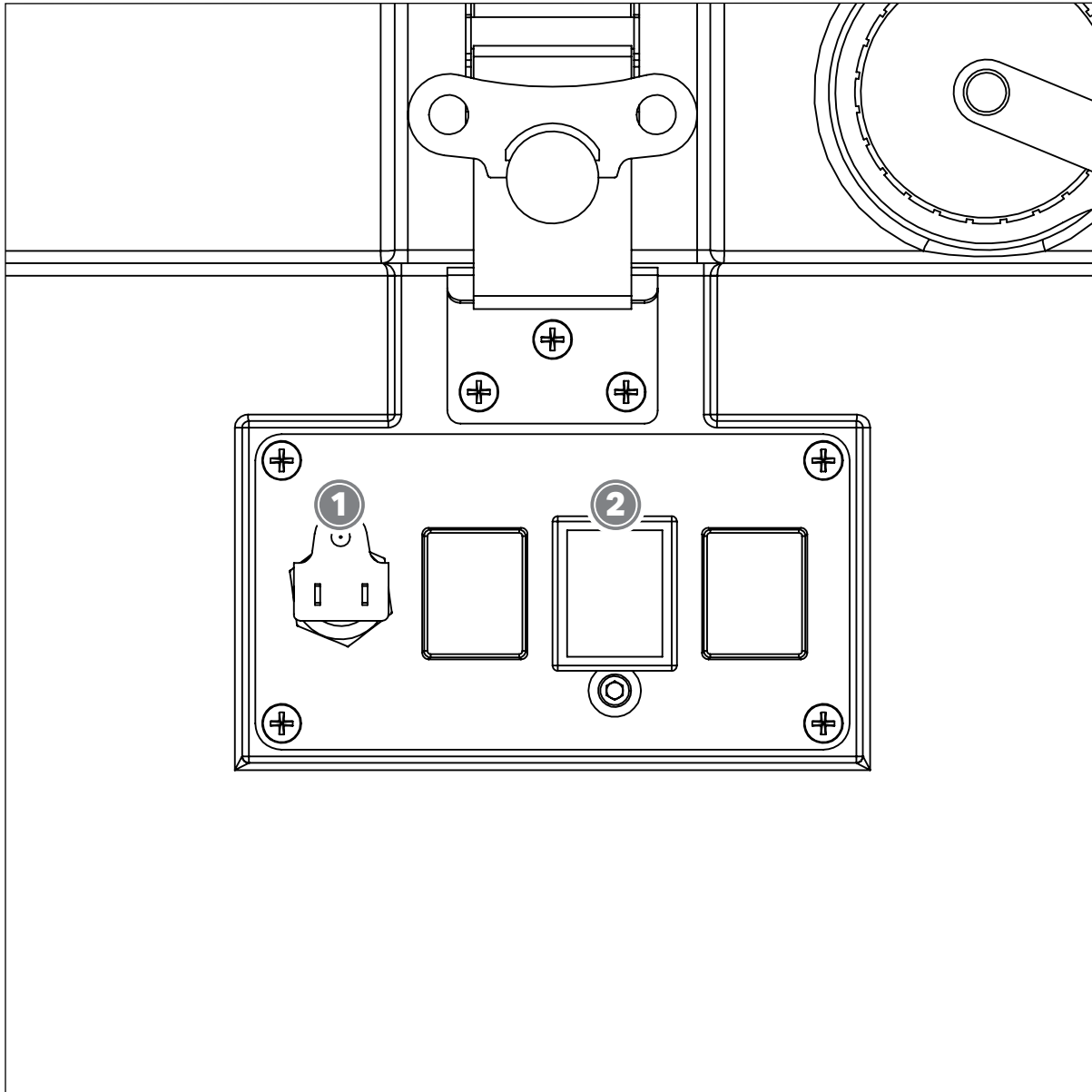


- 1. Chemical Injection Meter
- 2. Maintenance Access Latch
- 3. Power Cord Pigtail
- 4. Switch Plate

- 5. 3" Locking Casters
- 6. Solution Tank Drain Cap
- 7. Auto-Fill Input Connection
- 8. Rear Carrying Handle

1 - At a Glance

1.4 - Switch Plate



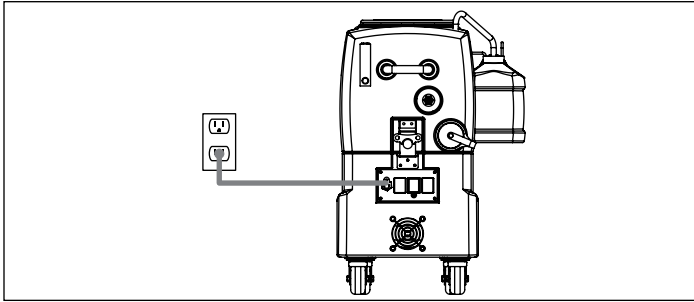
1. Power Cord Pigtail

2. Power Switch

2 - Machine Operation

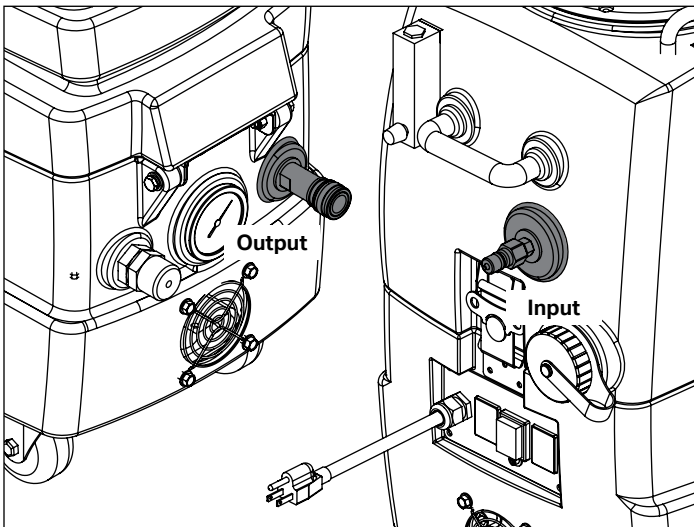
2.1 - Powering the Water Hog™

The Water Hog™ requires a 15 amp, 115V power outlet to operate.



Plug the female end of the 25' lighted extension cord into the Water Hog's™ pigtail power cord and plug the male end of the extension cord into a wall outlet. ♦

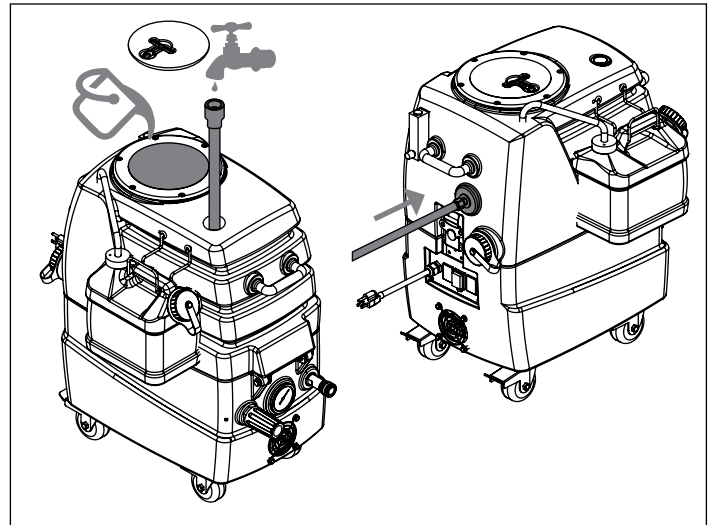
2.2 - Connecting Hoses



The Water Hog™ uses a female quick connect fitting for output and a male quick connect fitting for the auto-fill input. ♦

2.3 - Filling the Tank

There are three ways the tank can be filled: (1) with a bucket, (2) via the faucet-fill hose, and (3) via the auto-fill feature.



Bucket Fill

To fill the Water Hog™ using a bucket, simply remove the clear tank lid on top of the machine and pour water in.

Faucet-Fill

Pull the faucet-fill hose up from the machine and press the rubber faucet adapter onto the faucet. Turn on the water and fill to desired level.

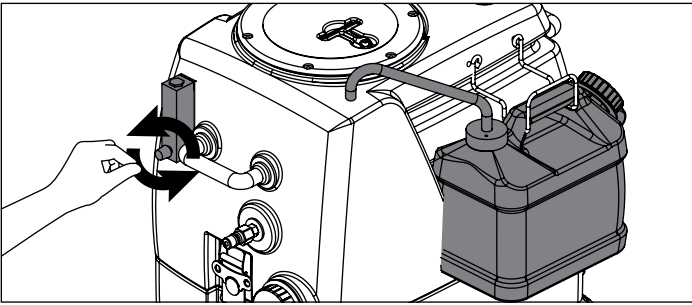
Auto-Fill

Connect hose from water source to auto-fill fitting on the rear of the machine. Turn on the water source and allow the tank to fill. The tank will fill up to the float shut-off. The float will automatically allow more water in as needed.

IMPORTANT: Allow the tank to fill up until the auto-fill shuts off before turning on the pump. This will ensure you have a continuous supply of water. ♦

2 - Machine Operation

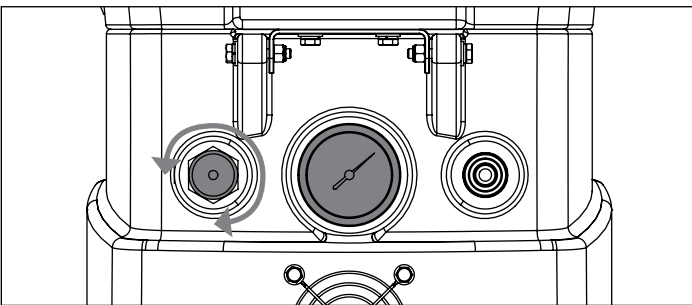
2.4 - Chemical Injection



Fill the included 5 qt. bottle with chemical concentrate of your choice. With a cleaning tool or spray gun connected, switch on the pump and pull the trigger on your tool to keep water flowing. Turn the chemical injection knob counter-clockwise to open the valve. This allows chemical to siphon into the line. Turn the knob until you see the bubble reach the desired gallons per hour of chemical. Follow chemical manufacturer's instructions for correct ratio.

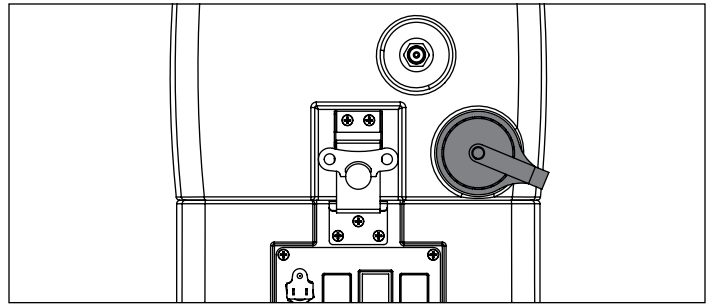
IMPORTANT: If chemical injection will not be used, make sure the chemical injector is closed by turning the knob all the way clockwise. ♦

2.5 - Operating the Water Hog™



To operate the Water Hog™, connect a hose from the female quick connect on the front of the machine to a tool (spray gun, tile and grout tool, etc.) and switch on the pump. Dial in the desired pressure using the regulator to the left of the pressure gauge. ♦

2.6 - Emptying the Tank



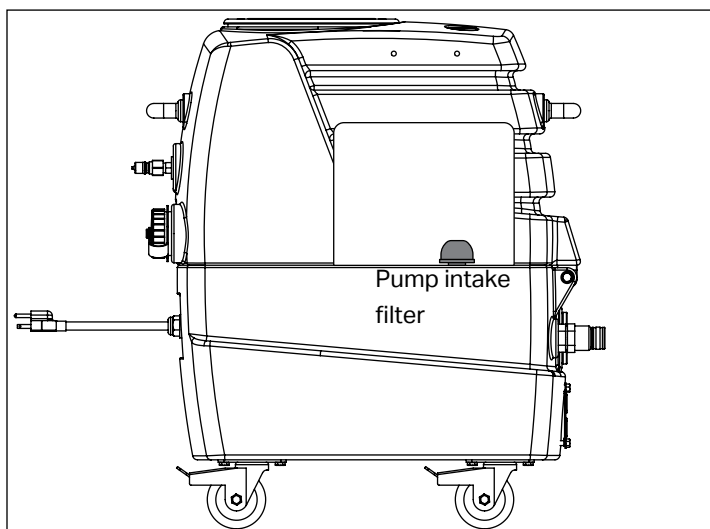
After use, the tank can be emptied via the drain cap on the lower-right side of the rear of the machine. ♦

3 - Machine Maintenance

In order to keep the Water Hog™ running smoothly and reduce the risk of damage to the machine and subsequent downtime, Mytee recommends following the maintenance schedule below:

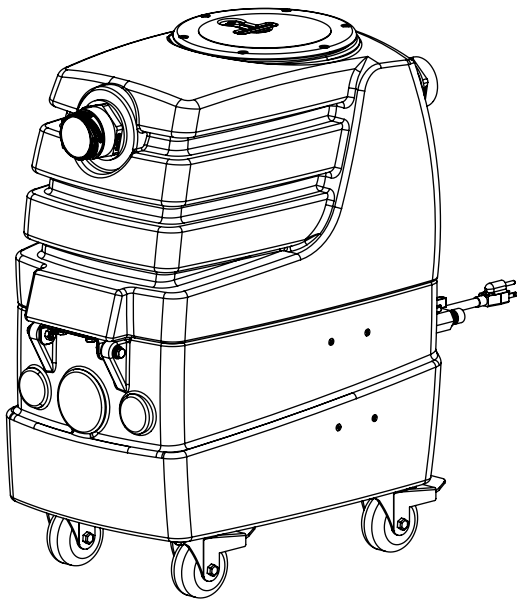
Maintenance Item	Daily	Weekly
Clean and inspect tank.	X	
Clean and inspect hoses.	X	
Check and clean internal filters.	X	
Check power cable.	X	
Clean machine with all-purpose cleaner and cloth.	X	
Lubricate wheels with water resistant oil.		X
Inspect machine for water leaks and loose hardware.		X

3.1 - Filter Maintenance

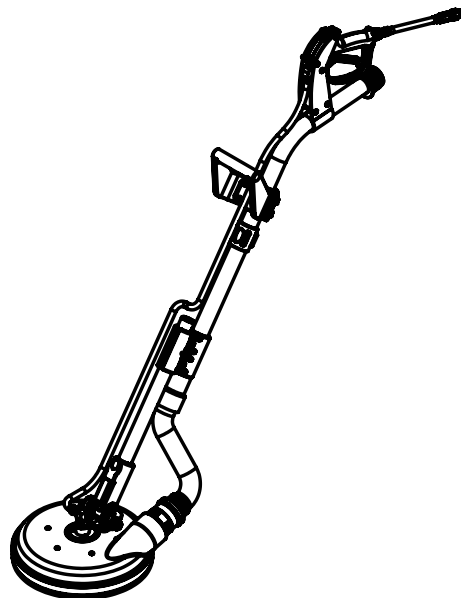


The Water Hog™ has a mesh filter on the the intake for the pump in the tank. It is shaped like a half-sphere. This filter should be checked and cleaned after each use. ♦

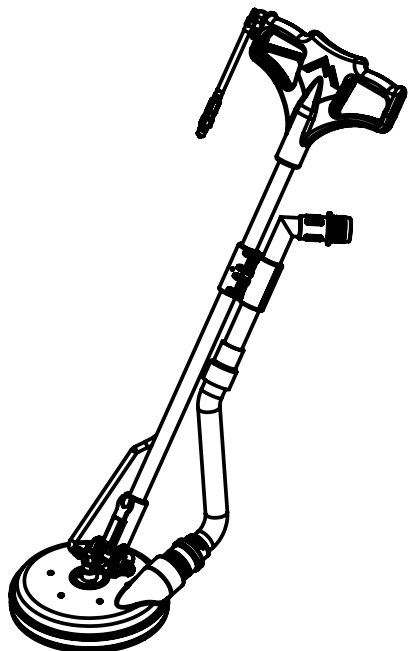
4 - Available Accessories



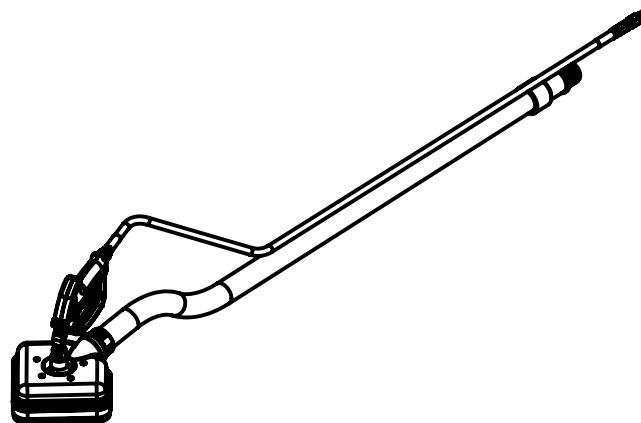
7303LX Air Hog™ Vacuum Booster



8903 Wand Style Spinner® Tile & Grout Cleaning Tool



8904 T-Handle Spinner® Tile & Grout Cleaning Tool



8908 Counter Spinner® Tile & Grout Cleaning Tool

5 - Troubleshooting

Issue	Possible Cause	Solution
No water flow.	The tank is empty.	Fill the tank.
	The filter inside the tank is clogged.	Clean the half-sphere shaped filter inside the tank.
	Pump valves are clogged or damaged.	Examine valves and clean or replace.
Auto-fill is not keeping up, starving the pump.	Not enough water in the tank prior to turning on the pump.	Let the tank fill up to the point where the auto-fill shuts off before turning on the pump.
Low pressure.	Nozzle on your spray gun is worn.	Replace the nozzle with a new one of the same size.
	Leak in high pressure hose or connections.	Check hose or connections. Repair/replace as needed.
	Filter is clogged.	Clean the half-sphere shaped filter inside the tank.
	Pump valves are clogged or damaged.	Examine valves and clean or replace.
Pump pulses when spraying.	Filter is clogged.	Clean the half-sphere shaped filter inside the tank.
	Pump valves are clogged or damaged.	Examine valves and clean or replace.
Motor does not operate.	Blown circuit breaker	Replace circuit breaker. Check circuit for wire damage or component damage.
Leaks seen under pump.	Pump seals are worn.	Replace with new plunger and seals.

NOTES



Mytee, LLC

13655 Stowe Dr.
Poway, CA 92064
www.mytee.com
© 2022 Mytee, LLC
Printed in the USA