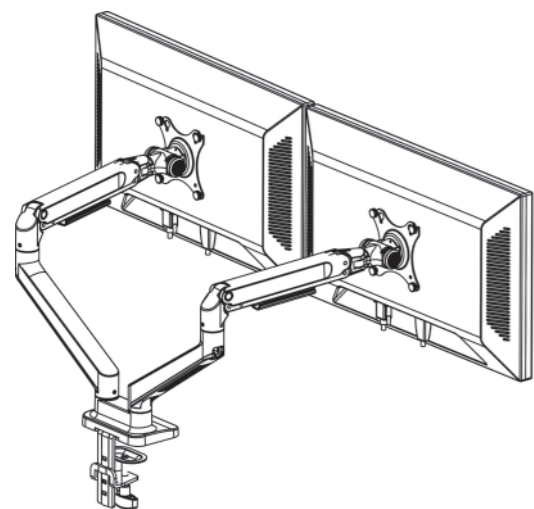
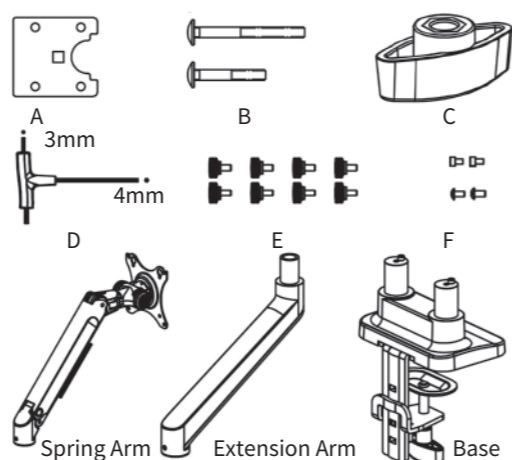


OdinLake Dual Monitor Arm Instruction Manual



Weight Bearing: 3-11 kg
VESA: 75x75mm / 100x100mm

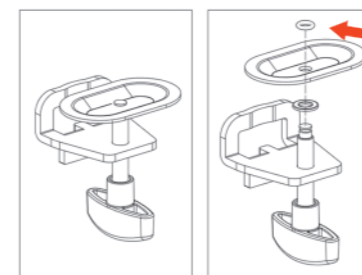
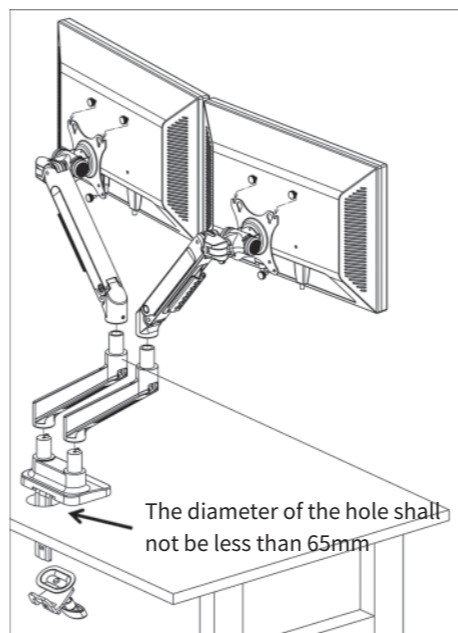
Parts List



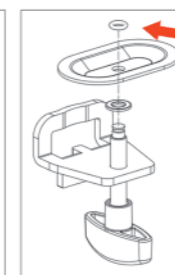
A: Perforated Mounting Iron Sheet *1
B: Perforated Bolt: 1.57in*1 2.36in*1
C: Perforated Nut *1 D: Hexagon Wrench *1
E: Hand Screw *8
F: Flat Head Limit Screw *2
Dome Head Limit Bolt Screw *2

Base installation: Perforated Installation

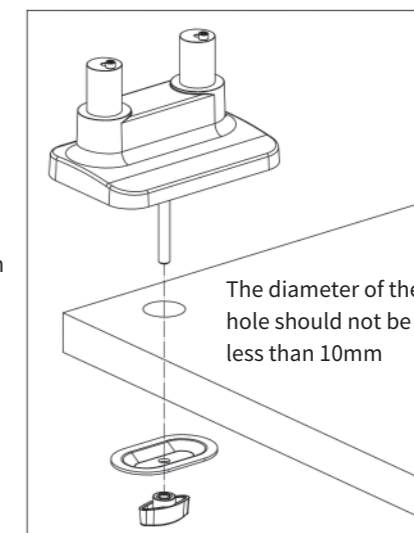
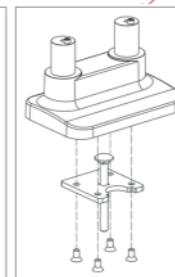
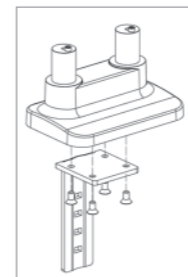
Note: Remove the rubber boot and remove the oval spacer



Remove the fixing bolts of the base

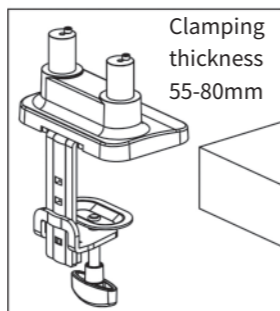
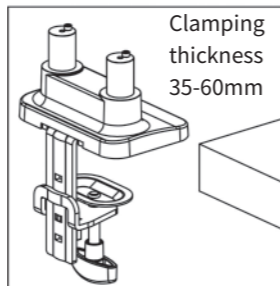
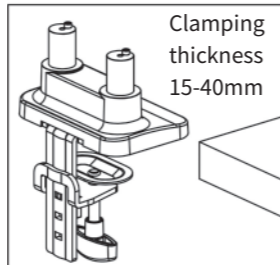
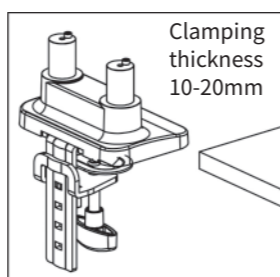
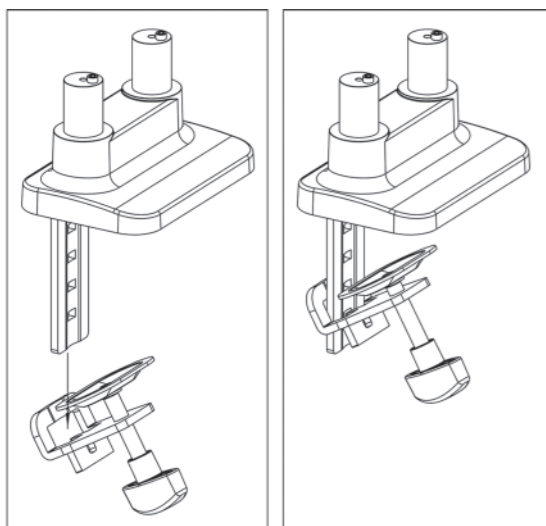


Install perforated iron and perforated bolt

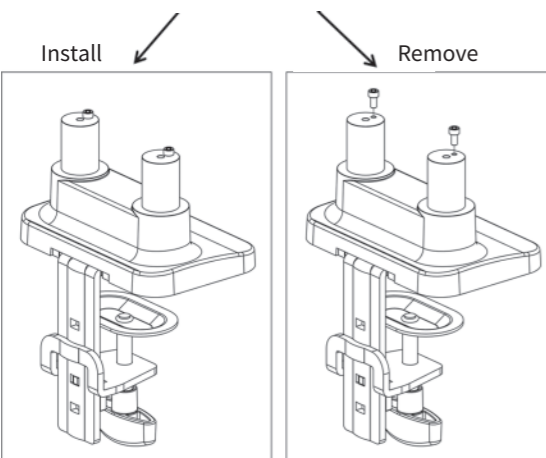


Note: The bolts must be tightened

Base Installation: Table-side Clamping

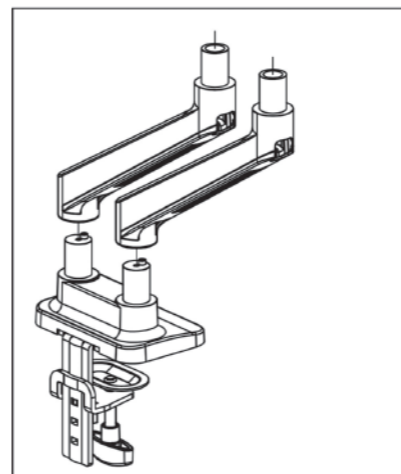


Lower Arm Joint Rotation Limit Screw
Remove this screw to cancel the 180° rotation limit of the lower arm
Install this screw to limit the 180° rotation limit of the lower arm

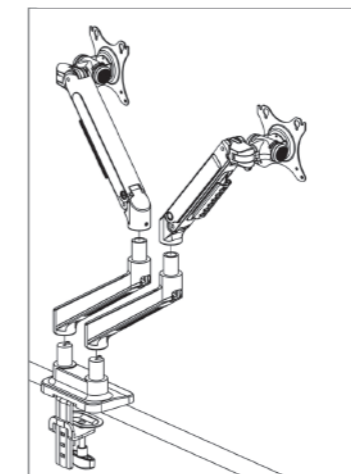


1. Bracket Installation

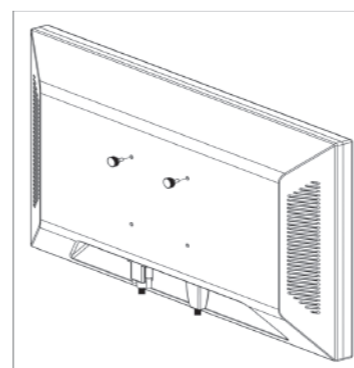
Install the extension arm



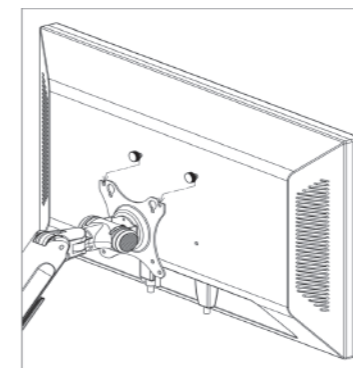
Install the spring arm



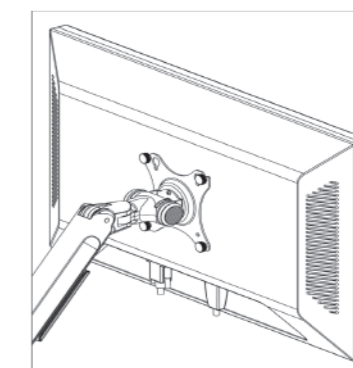
2. Monitor Installation



2.1 Install the top 2 hand screws behind the monitor.

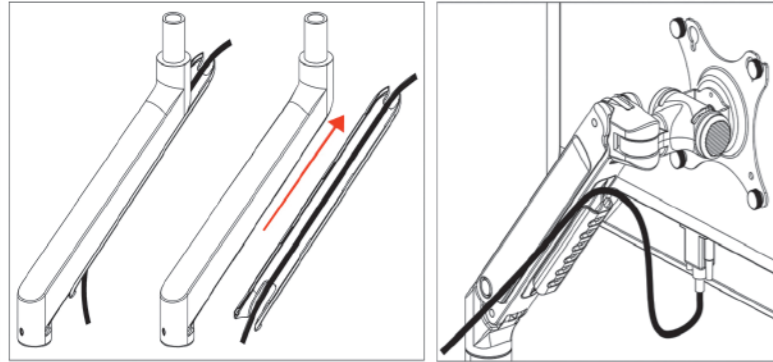


2.2 Hang the monitor on the bracket.



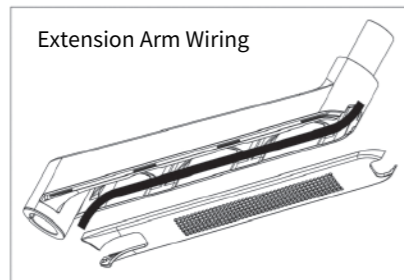
2.3 Install the 2 rest hand screws and lock them tightly.

3.Wiring Installation

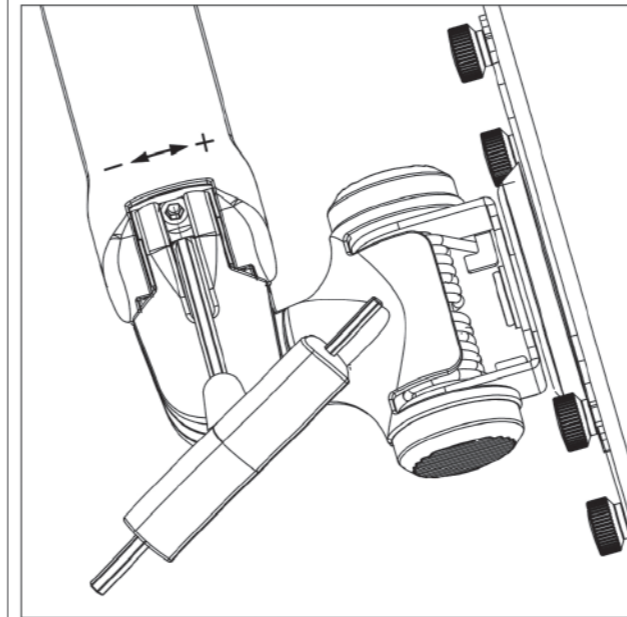
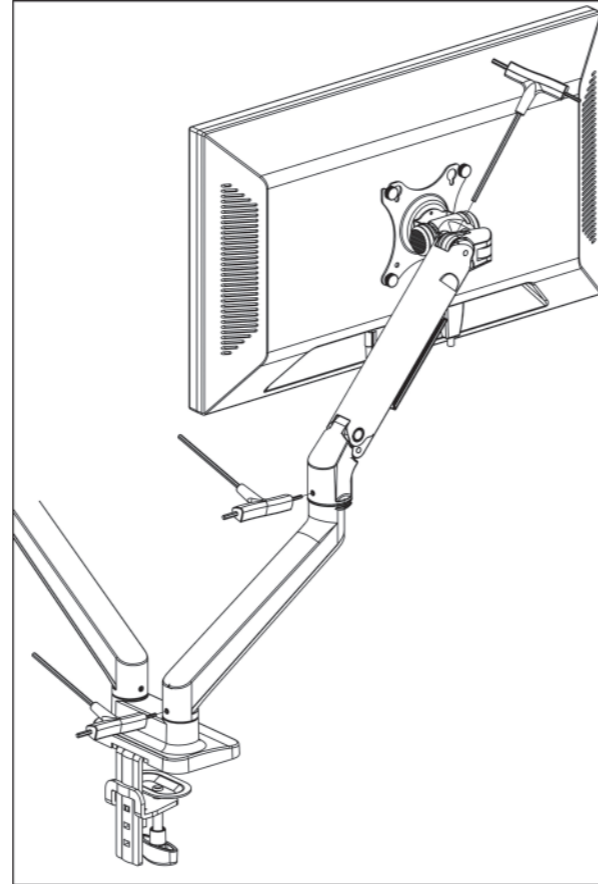


3.1: Extension Arm Wiring

3.2: Spring Arm Wiring



5.Hover Force Adjustment of the Lift Arm



Weight Bearing: 3-11 kg

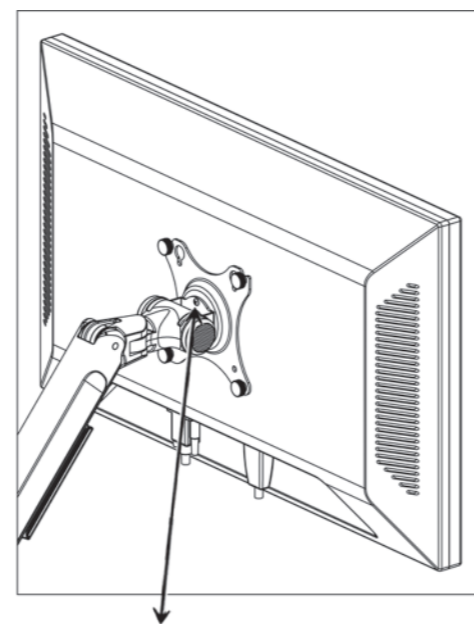
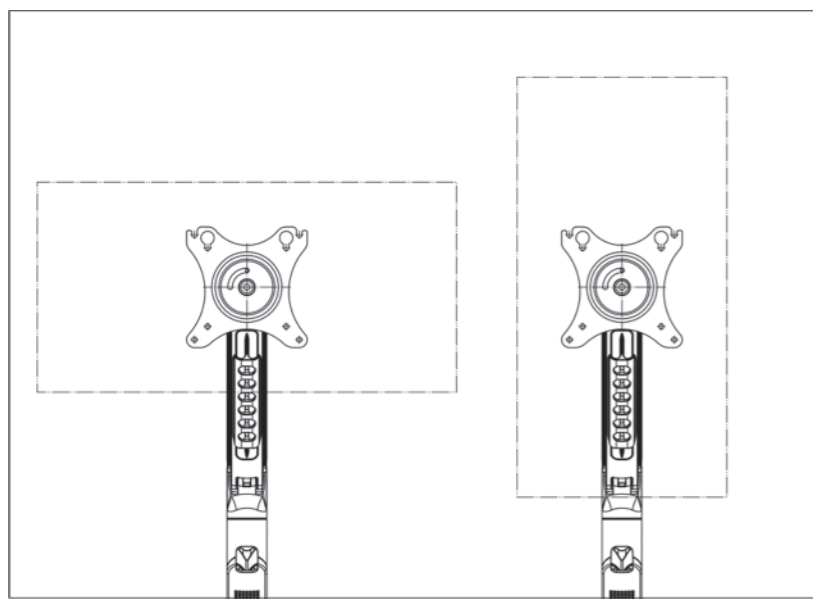
Attention: install the monitor tight before adjusting

1. The monitor must be installed on the bracket first.
2. Make sure that the net weight of the monitor is within the weight bearing range of the bracket.

Adjustment instructions:

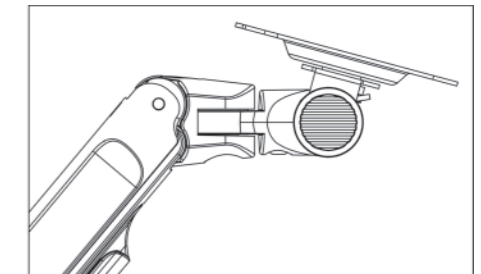
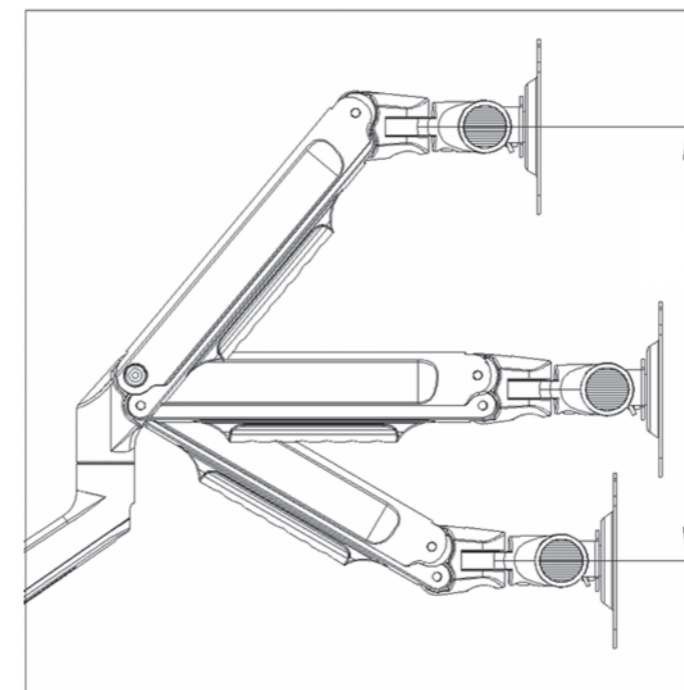
1. After the monitor is hung up, it will fall when it is lifted up, and adjust the elastic force clockwise (+)
2. After hanging up the monitor, it will rebound when pressed down, and adjust the elasticity counterclockwise (-)

The monitor can be rotated 360°

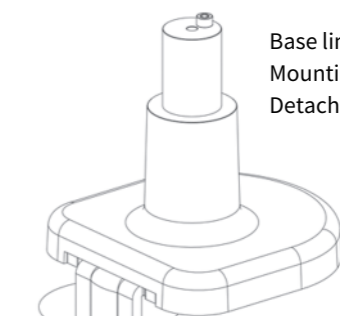
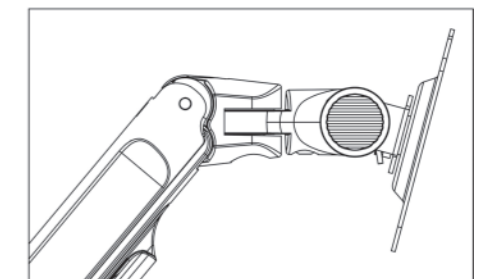


The limit screw can be installed and rotated 90° after installation

Adjustable Range Parameters

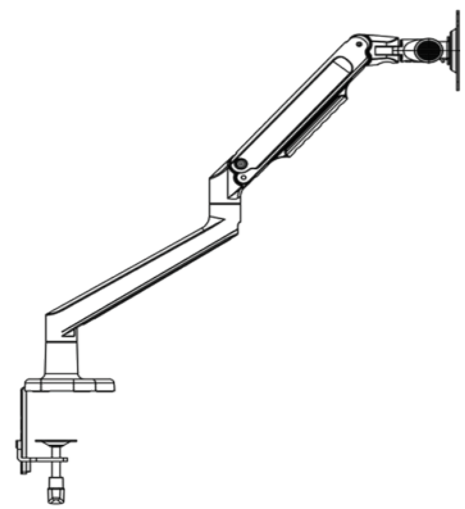


Tilt: +90°~-25°



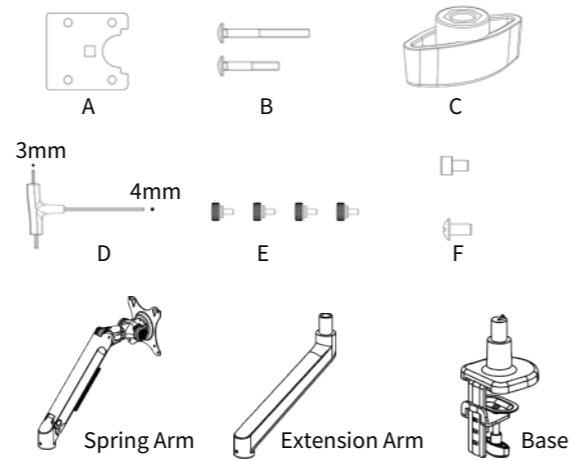
Base limit screw:
Mounting: 180°
Detach: 360°

OdinLake Single Monitor Arm Instruction Manual



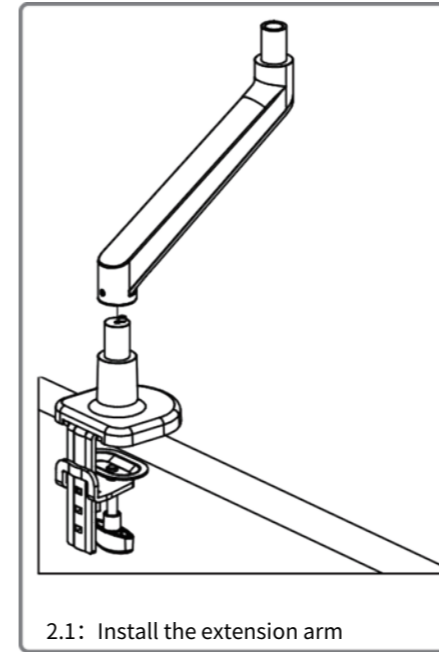
Weight Bearing: 3-11 kg
VESA: 75x75mm / 100x100mm

PARTS LIST

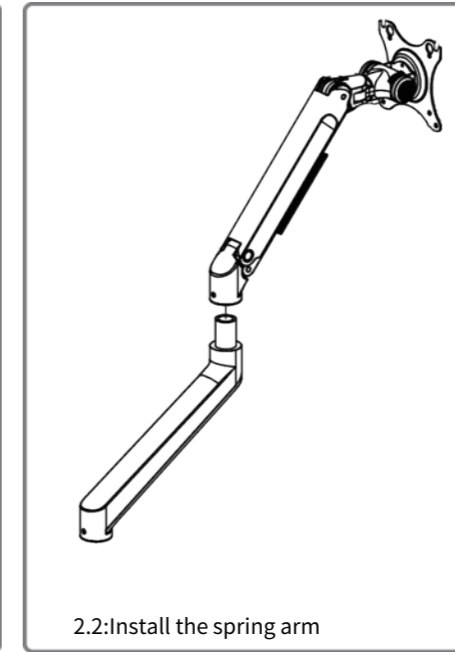


A: Perforated Mounting Iron Sheet *1
B: Perforated Bolt: 1.57in*1 2.36in*1
C: Perforated Nut *1 D: Hexagon Wrench *1
E: Hand Screw *4
F: Flat Head Limit Screw * 1
Dome Head Limit Bolt Screw * 1

1. Bracket Installation



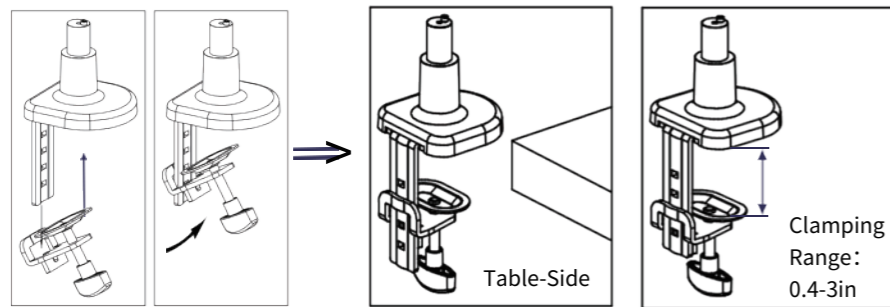
2.1: Install the extension arm



2.2: Install the spring arm

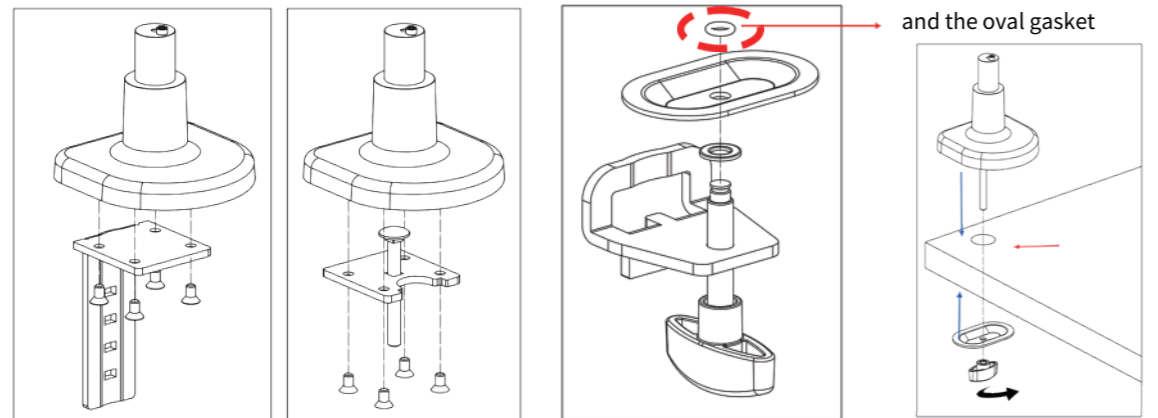
Base Installation

A: Table-side Clamping



Clamping Range: 0.4-3in

B: Perforated Installation



Remove the mounting screws from the base

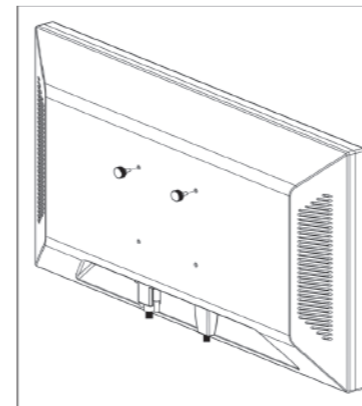
screw the perforated iron sheet on the base

Take off the rubber sleeve and the oval gasket

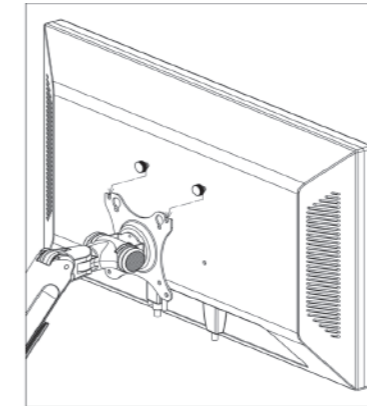
The diameter of the hole shall not be less than 0.4in.

Note: Lock the screws tightly

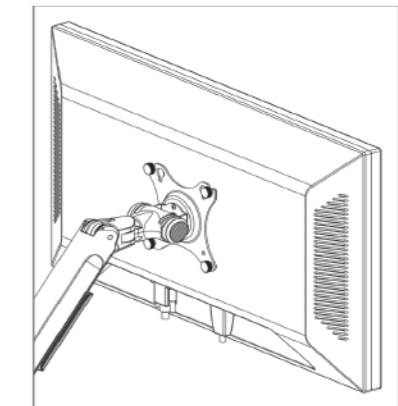
2. Monitor Installation



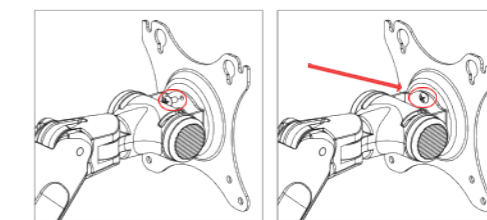
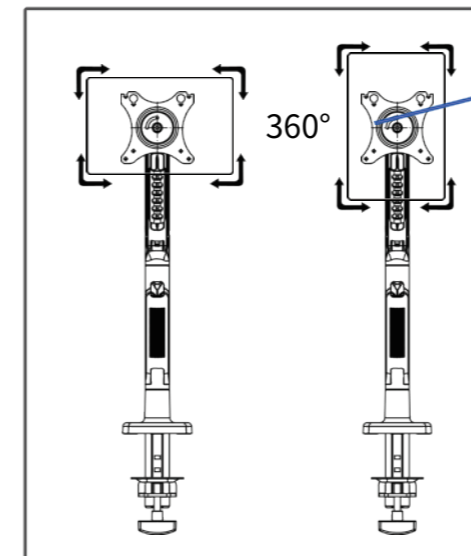
2.1 Install the top 2 hand screws behind the monitor.



2.2 Hang the monitor on the bracket.

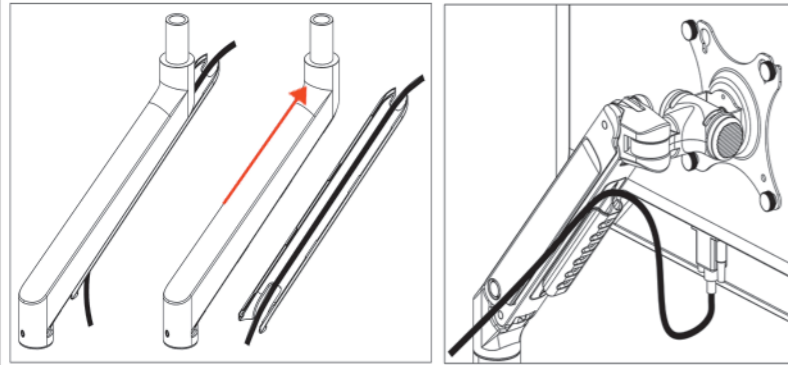


2.3 Install the 2 rest hand screws and lock them tightly.



Limit screws can be installed at Vesa
After installation, the rotation angle is 90°

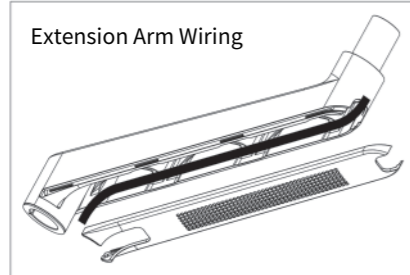
4. Wiring Installation



4.1: Extension Arm Wiring

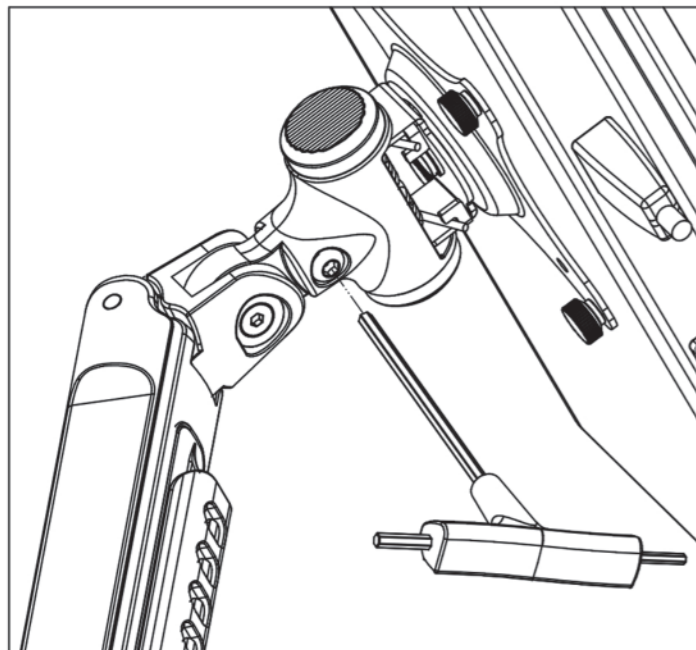
4.2: Spring Arm Wiring

Extension Arm Wiring



6. Pitch Angle Adjustment

Attention: install the monitor tight before adjusting



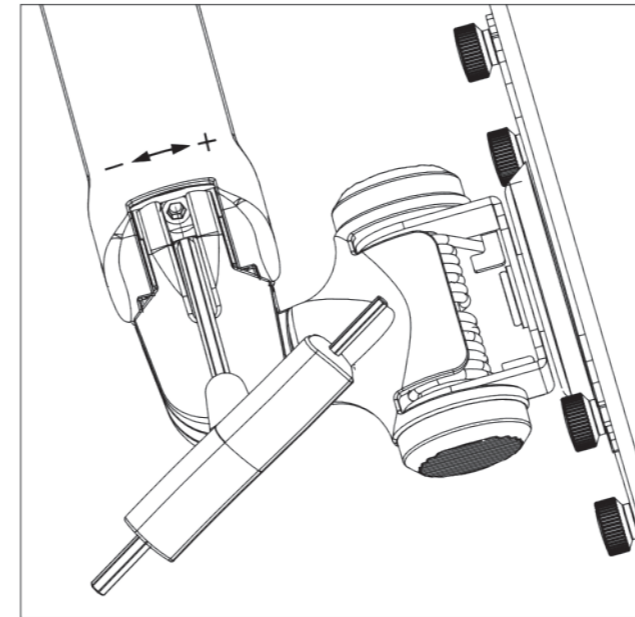
Note:

- A: If the monitor is hung up, the elevation angle can't stop. Adjust the elastic force clockwise
- B: When the monitor is hung up, the depression angle will rebound, and the elastic force will be tightened counterclockwise.

5. Hover Force Adjustment of the Lift Arm



BE CAREFUL WHEN ADJUSTING THE HOVER



Weight Bearing: 3-11 kg

Attention: install the monitor tight before adjusting

1. The monitor must be installed on the bracket first.
2. Make sure that the net weight of the monitor is within the weight bearing range of the bracket.

Adjustment instructions:

1. After the monitor is hung up, it will fall when it is lifted up, and adjust the elastic force clockwise (+)
2. After hanging up the monitor, it will rebound when pressed down, and adjust the elasticity counterclockwise (-)

7. Adjustable Range Parameters

