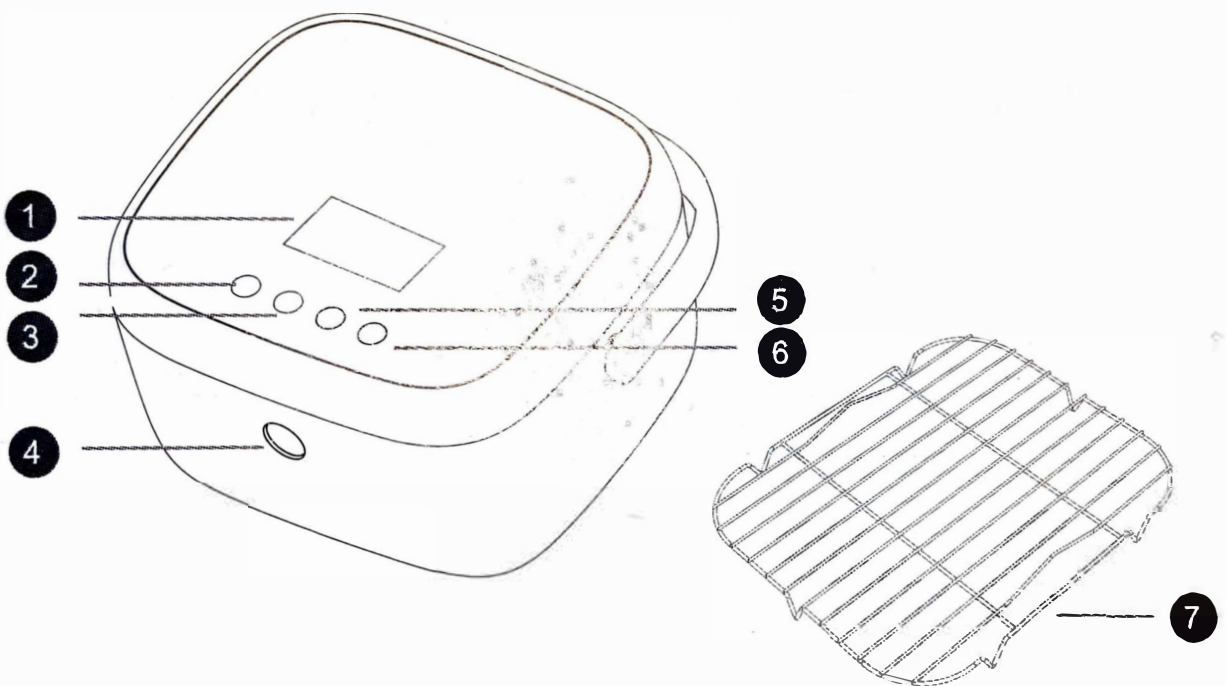


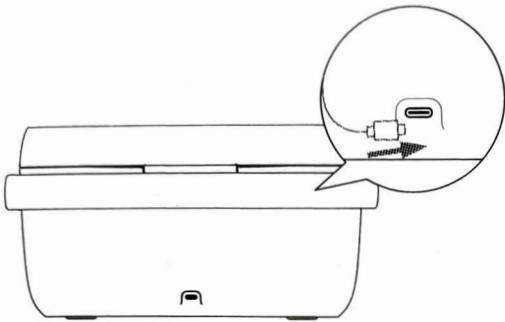
INTRODUCTION

This is a sterilising storage box powered by UV LED technology, mainly features at fast sterilising, smart drying, temperature control and sterile storage. One-click to achieve 99.9% sterilisation rate, it's safe to take good care of your families! Based on testings by the authoritative organisation, this product can be used for sterilisation effectively within 59 seconds.



- 1 Time Display Screen
- 2 Fast Sterilize Button
- 3 Sterilize&Deodor+Smart Drying+Temp.control+Sterile Storage Button
- 4 Pop up Button
- 5 Sterilize&Deodor+Sterile Storage Button
- 6 ON/OFF Button
- 7 Stainless steel tool holder

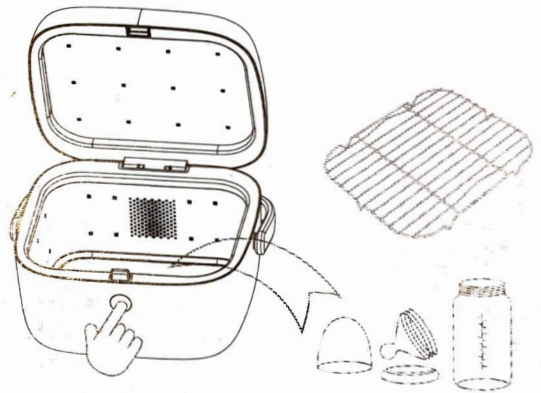
HOW TO USE



1. Preparations: Plug in default power adaptor before using. (Please empty the feeding bottle before sterilizing.)

2. Press pop-up button to open the lid. Place tool holder inside, then put items into the box.

(Please keep all items tiled without overlapping.)



3. Three Working Modes

1) Fast Sterilize: Press ① to start fast sterilize.

2) Sterilize & Deodor + Smart Drying + Temp. Control + Sterile Storage:

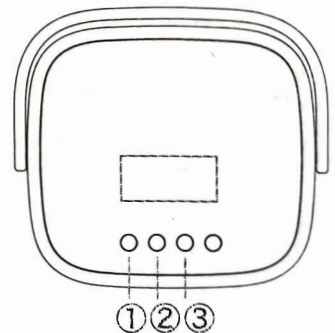
Press ② to start working in below sequence:

- Start sterilizing and deodorizing within 180 seconds;
- Automatically enter into smart drying mode within timing 60mins after sterilization completes;
- Smart drying mode will be active based on the actual extent of dryness, subjected to an extra 0, 30mins, 60mins and 90mins' drying process.
- When smart drying mode completes, the device automatically enrolls into sterile storage as well as constant temperature drying mode.

Note: 1. Better protection for feeding bottles and nipples with low temperature drying technology.
2. When room temperature is lower than 10°C, emptying the feeding bottle can achieve better drying performance.

3) Sterilize&Deodor + Sterile Storage:

Press ③ to enter into 180 seconds Sterilize & Deodor + Sterile Storage mode automatically.



INDICATOR STATEMENT

Working Mode	Indicator Statement	LED Screen
ON	All indicators are in high bright.	Display "000"
Fast Sterilize	ON/OFF and Fast Sterilize button are in high bright, the other 2pcs indicators are off.	Timing for 180 seconds
Sterilize & Deodor + Smart Drying + Temp. Control + Sterile Storage	ON/OFF and Sterilize & Deodorize + Smart Drying +temp. control + Sterile storage button are in high bright, the other 2pcs indicators are off.	Timing from 180 secs to 60-, renewal 30-/60-/90-, revolving indication ("60"stands for min, "--"fllickering every sec)
Sterilize & Deodor + Sterile Storage	ON/OFF and Sterilize & Deodor + Sterile Storage button are in high bright, the other 2pcs indicators are off.	Timing for 180 secs, revolving indication

Notice:The mode of Sterilize & Deodor + Smart Drying + Temp. Control + Sterile Storage is disabled when no external power adapter is connected to device.

SOUNDS REMINDER

"ding"	ON/OFF, Sterilizing, Valid operation
"ding", "ding"	Sterilization completes (For Sterilize button only)

SAFETY PROTECTION

Built-in particular safety switch, power cuts off instantly once the lid is open.

INTRODUCTION OF BACTERICIDAL FACTORS AND MICROORGANISM CATEGORIES

The main bactericidal factor and its intensity: UVC light, the irradiance in the range of the machine is $20\mu\text{W} / \text{cm}^2$ - $1543\mu\text{W} / \text{cm}^2$; killing microorganisms: Escherichia coli, Staphylococcus aureus.

UVC IS A PROFESSIONAL STERILIZATION TECHNOLOGY

UVC LED can Kill almost all germs and bacteria by penetrating and disrupting their DNA & RNA physically. It's just widely used in sterilizing cupboard and sterilization of hospital.

Mandatory Control Of China HPC By Sterilization Product Number

China HPC(Health Planning Commission) will issue the certificate after the sterilization rate reach 99.9% to qualify to ensure the effectiveness of Sterilization.

STERILIZATION PROCESS TO SEE

UVC LED germicidal process can be seen under a microscope.

STERILIZATION EFFECT TO SMELL

UVC LED can deodorize by decomposing the molecular structure of odor, like the smell of milky in the bottle medicine, sour and foul odor.etc, You can even smell the sunshine after sterilizing for the clothes.

TECHNICAL PARAMETERS

1. Product Name: INUI[®] UVC-Mobile Multi-Box

2. Model: UVC-Mobile Multi-Box

3. Input: 18V \equiv 1.5A (Standard power adaptor)

4. UVC LED QTY: 40 pieces

5. Dimension: 302x269x154mm

6. Net Weight: 2.1kg

7. Wavelength: 260-280nm

8. Input Interface: Type-C USB

9. UVC LED Lifespan: Up to 10,000 hours

10. Battery specification: Nominal Voltage: 7.4V

Max Charging Voltage: 8.4V

Nominal Capacity: 3000mAh 22.2Wh

Standard: GB/T 18287-2013

11. Working Temperature 0~40°C

Storage Temperature: -20~55°C

12. Working Humidity: 5~90%RH

Storage Humidity: 5~95%RH

NAME AND CONCENTRATION OF HARMFUL SUBSTANCE OR ELEMENTS

Part Names	Harmful substance or elements						
	Pb	Hg	Cd	Cr(VL)	PBDE	PBB	EFUP
Shell	0	0	0	0	0	0	10
PCBA	X	0	0	0	0	0	10
Battery	X	0	0	0	0	0	5
USB Cable	0	0	0	0	0	0	10

0: It means that the concentration of the toxic and harmful substance in all homogeneous materials of the component is compliance with the limitation stipulated in GB/26572-2011.

X: The concentration of the toxic and hazardous substances in certain homogeneous material of the component exceeds the limitation specified in GB/26572-2011.

Note: Components marked "X" stands for no alternative technologies or components available at this stage.

The EFUP refers to the safety lifespan of using the product without hazardous material leakage under the conditions specified in the manual.



For the battery : 5 years EFUP under normal use conditions



For the product : 10 years EFUP under normal use conditions

WARRANTY

Warranty Details

Thank you for purchasing our product. In order to offer you good experience and protect your rights, we provide after-sales service in accordance with regulations & requirements by MII and AQSIQ.

The following circumstances are not covered by warranty:

- Warranty expires.
- Malfunction or damage resulted from failure to use, maintain or keep the machine as instructed by the User Manual.
- Disassemble the machine by customers without permission.
- Malfunction or damage caused by human errors (such as misuse, collision or wrong voltage input).

Product Model: _____ Date of purchase: _____

Dealer: _____ User name: _____

Phone number: _____

User address: _____

- ▲ This voucher serves as an important evidence to resort for after-sales service and shall be kept properly.