



AUTOMATIC DOOR HANDLE STERILISER

PRODUCT INTRODUCTION

INUI LTD

Address: Unit 4 Beaumont Court, Prince William Road, Loughborough, Leicestershire LE11 5DA

email: sales@inui.co.uk | web: www.inui.co.uk | Phone: +44 01509 266355

HIGH RISK OF CROSS-INFECTION FROM PUBLIC DOOR HANDLES

Office Door Handles

Office door handles touched by different crowds frequently, with high health risks.



Bathroom Door Handles

Bathrooms are full of germs, disinfect the door handles to make washing hands work



Hospital Door Handles

Door handles in hospital rooms and operating rooms have much possibility of carrying germs.



INUI LTD

Address: Unit 4 Beaumont Court, Prince William Road, Loughborough, Leicestershire LE11 5DA

email: sales@inui.co.uk | web: www.inui.co.uk | Phone: +44 01509 266355

HOME DOOR HANDLES ALSO CONTAINS GERMS

- The First thing you touch coming home is the door handle, **leaving the germs outside while you touch it.**
- Door handles of Kitchen, bathroom can easily transmit germs into face or mouth if they are not disinfected regularly.

Living Room
Door Handle



INUI LTD

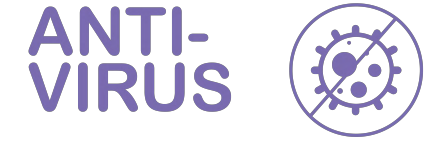
Bathroom
Door Handle



Kitchen
Door Handle



ANTI-VIRUS & BACTERIA, DOOR HANDLES NEED DISINFECTION



Public door handles are becoming the carrier of germs and bacteria, each handle contains **2 million** germs on average. They can be transmitted to each other and cause infections.



INUI LTD

Address: Unit 4 Beaumont Court, Prince William Road, Loughborough, Leicestershire LE11 5DA

email: sales@inui.co.uk | web: www.inui.co.uk | Phone: +44 01509 266355

AUTOMATIC DOOR HANDLE STERILISER

A steriliser keeping your hands away from germs

Automatic Sterilisation

Sterilisation is triggered every time door handle is touched

Human Radar Safety Detector

Sterilisation automatically postpones when people are within 2 meters, and it resumes when people walk away

Easy Installation

Installation completes within 10 seconds, and removal within 1 second

Strong Battery Life

After one full charge, it can work for 30 days continuously



INUI LTD

Address: Unit 4 Beaumont Court, Prince William Road, Loughborough, Leicestershire LE11 5DA

email: sales@inui.co.uk

| web: www.inui.co.uk

| Phone: +44 01509 266355

AUTOMATICALLY STERILISE, AFTER EACH TOUCH

Automatic Door Handle Steriliser can detect if the handle is used, and will start the disinfection after sensing people leave.



INUI LTD

Address: Unit 4 Beaumont Court, Prince William Road, Loughborough, Leicestershire LE11 5DA

email: sales@inui.co.uk

| web: www.inui.co.uk

| Phone: +44 01509 266355

UVC LED TECHNOLOGY CAN KILL UP TO 99.9% OF GERMS

UVC LED is the leading sterilisation technology worldwide, products are using the UVC light from LED chips to destroy germs DNA/RNA Physically.

What is UVC LED:

- Using LED technology to integrate UV with a wavelength of 260-280 nm in the light spectrum into chips to produce "artificial sunlight".
- This wavelength of UV light can penetrate the cell membrane and nucleus of organisms, destroy DNA (deoxyribonucleic acid) or RNA (ribonucleic acid), to achieve physical sterilization;
- UVC LED rays can kill various germs, such as bacterial propagules, spores, viruses, fungi, etc., and can reach 99.9% sterilisation rate.

99.9% Sterilisation Rate

Physical Sterilisation

Ozone-free, Chemical-free

10000 hours Lifespan



INUI LTD

Low Power Consumption

Only 1%-5% of the mercury lamps

UV Energy Increased by 50%

Quick Disinfection

1/10 timing needed to compare with traditional mercury lamp

SMART DESIGN TO ENSURES SAFETY-USE

- Human Radar Safety Detector allows the sterilising process stop to work when sensing human body around within 2m, and will automatically back to work after people leave.
- When sterilisation starts, beep and indicator light flashes for a double reminder
- Chemical-free, mercury-free, ozone-free



INUI LTD

Address: Unit 4 Beaumont Court, Prince William Road, Loughborough, Leicestershire LE11 5DA

email: sales@inui.co.uk | web: www.inui.co.uk | Phone: +44 01509 266355

EASY INSTALLATION COMPLETE IN 10 seconds, REMOVAL WITHIN 1 second

Installation with double side adhesive, and screwed.
Easy to to install and removal within 1 second.

1. Take out the product back plate, screwed or glued the back plate onto door (30-50mm distanced from door handle).
2. Fully charge the Door Handle Steriliser and lock into the back plate socket then turn 15°.
3. Adjust the Steriliser to aim correctly at the door handle.



INUI LTD

Address: Unit 4 Beaumont Court, Prince William Road, Loughborough, Leicestershire LE11 5DA

email: sales@inui.co.uk | web: www.inui.co.uk | Phone: +44 01509 266355

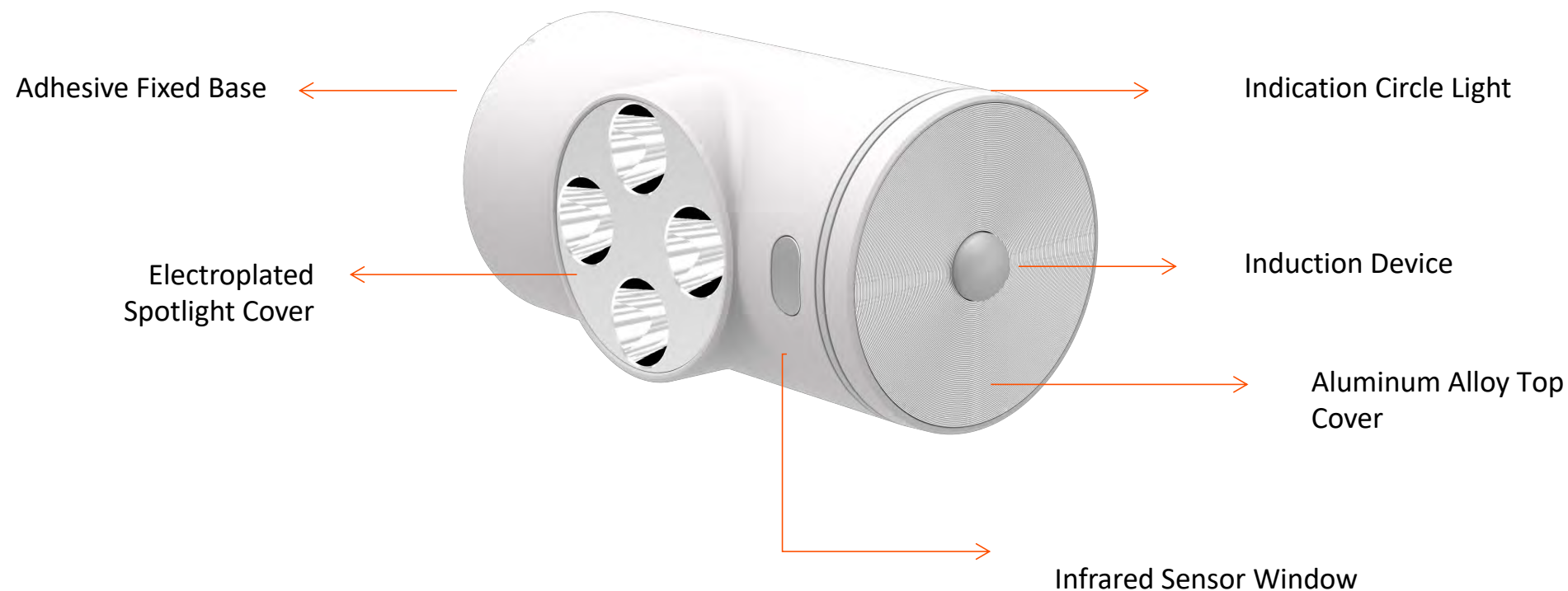
STRONG BATTERY USED FOR 30 DAYS WHEN FULLY CHARGED

Built-in 2500 mAh lithium battery, can be used for 30 days when fully charged.



INUI LTD

PRODUCT DETAILS



INUI LTD

Address: Unit 4 Beaumont Court, Prince William Road, Loughborough, Leicestershire LE11 5DA

email: sales@inui.co.uk

| web: www.inui.co.uk

| Phone: +44 01509 266355

SPECIFICATION

Color: White, Black

Power Port: USB-micro

Input Voltage: 5V DC

Power: 5W

Infrared Sensor Detection Distance: 10cm

Recognition Rate: > 95%

Disinfection power: 2.5w

UV LED Bead Qty: 4

Battery Capacity: 2500mAH

Disinfection times: 250 times



INUI LTD

Address: Unit 4 Beaumont Court, Prince William Road, Loughborough, Leicestershire LE11 5DA

email: sales@inui.co.uk

| web: www.inui.co.uk

| Phone: +44 01509 266355