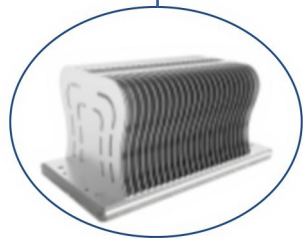
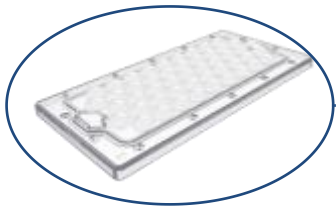


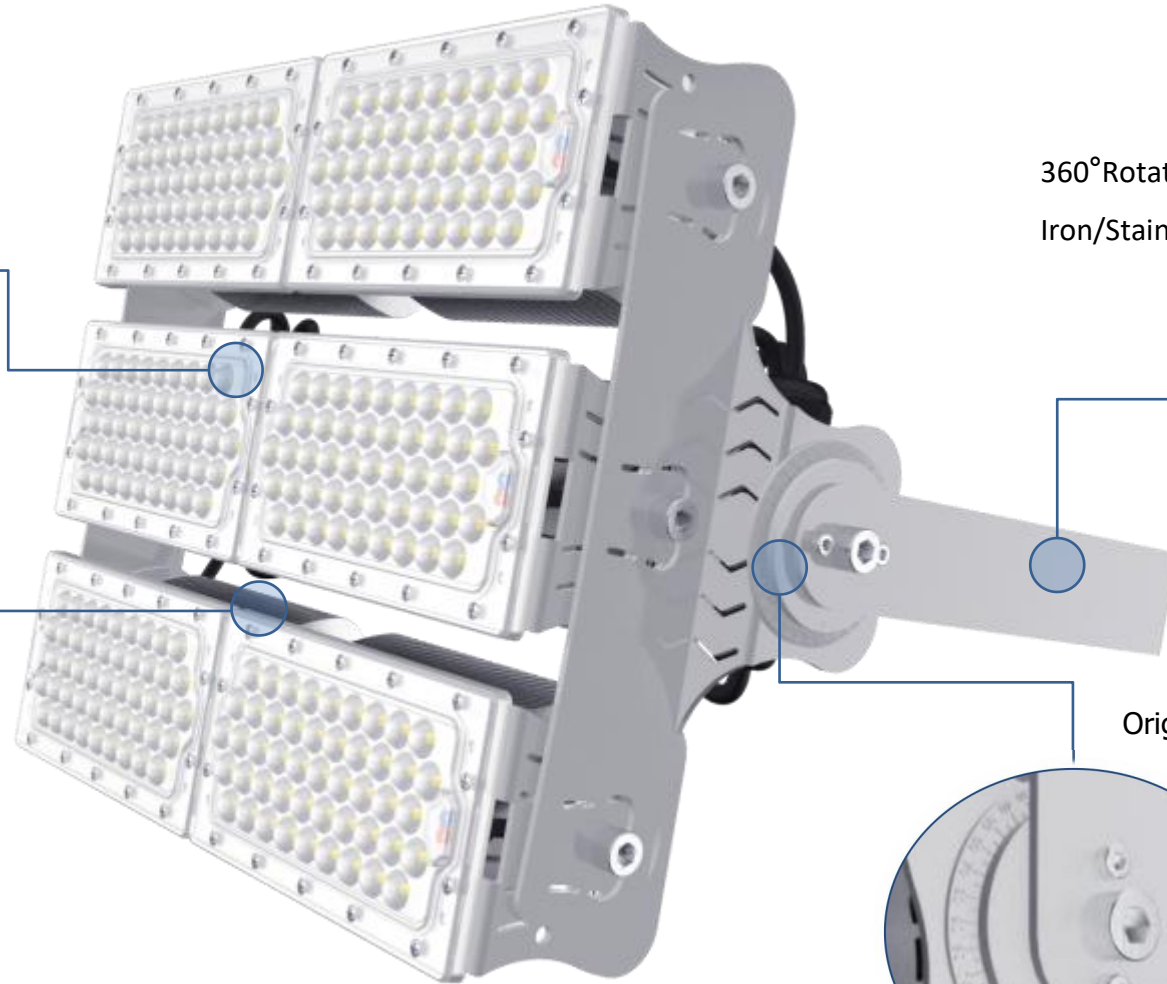
# T400-600W Flood Light

Interchangeable Optical Lenses

10°/30°/60°/90°/120°



High Efficient Heatsink



360° Rotatable Holder

Iron/Stainless Steel Holder

Original Angle Scale Plate



## ➤ Product Parameter

➤ <b>Wattage</b>	600W
➤ <b>Light Quantity</b>	288PCS LED
➤ <b>Driver</b>	Meanwell
➤ <b>CRI</b>	Ra>70
➤ <b>CCT</b>	2700-6500K
➤ <b>Rated Voltage</b>	AC 90-305V 50/60Hz
➤ <b>Power Factor</b>	>0.95
➤ <b>Net Weight</b>	10.3kg±5%
➤ <b>Operating Temp</b>	-40℃ ~ 60℃
➤ <b>Dimensions</b>	485*340*324mm
➤ <b>IP Grade</b>	IP65

Lamp Luminous Flux	Beam Angle	Light Source
160LM/W	60 °/90° /120°	Lumileds
150LM/W	30°	Lumileds
120LM/W	10°	Cree



Significant cost savings



Reliable, high quality light



Long life –up to 50 000 hours



Up to 80-90% energy saving



Quick and easy installation



Environmentally friendly solutions

## ➤ Scope of Application

Designed to meet recommended luminance and illuminance requirements for high & low flood lighting applications in industrial and commercial buildings.

- Airport
- Factory
- Billboard
- Warehouse
- Shopping Malls
- Sports Field
- High Mast Light



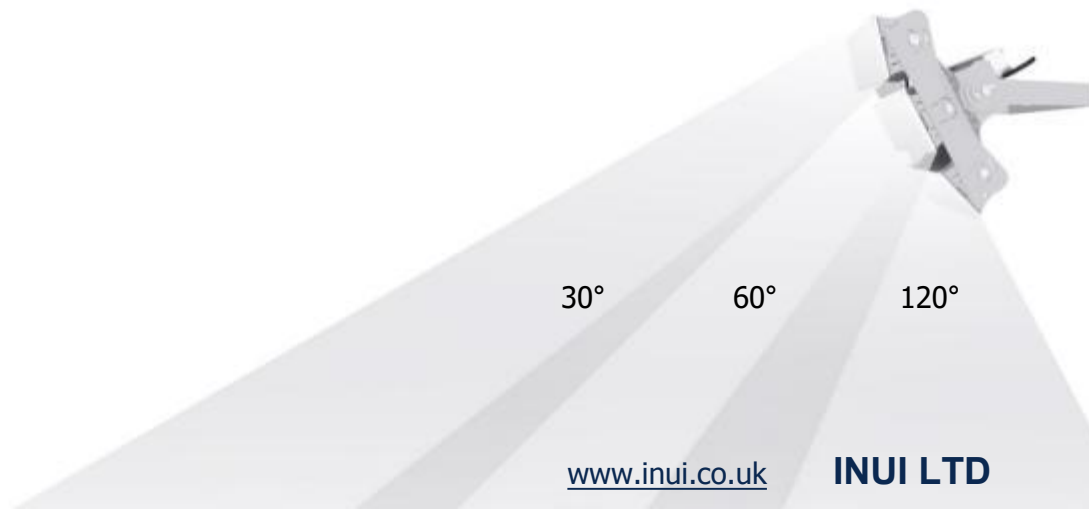
## ➤ Feature

➤ Installation

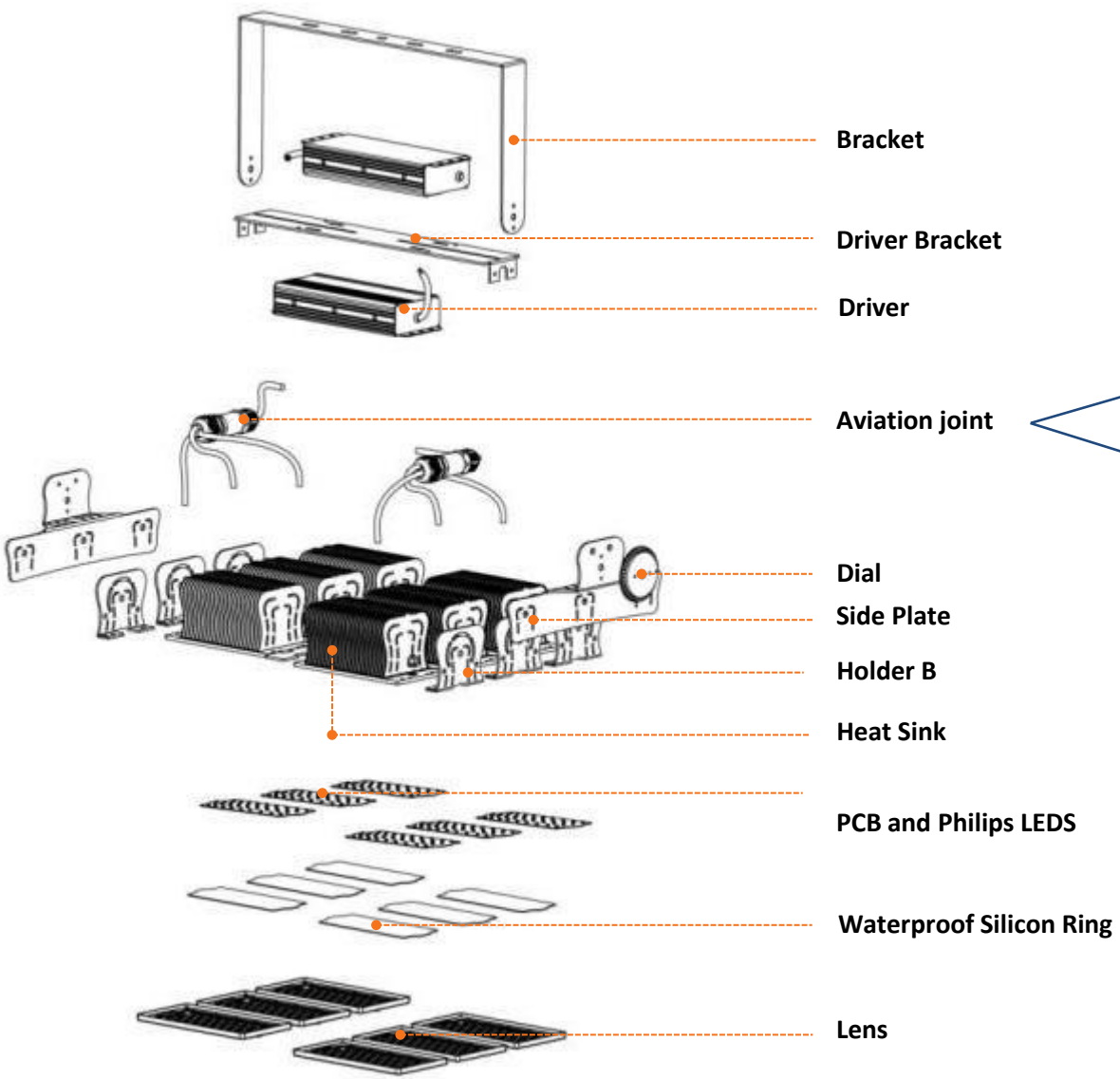


- Suspension Installation
- Ground Installation
- Ceiling Installation
- Wall Installation

➤ Rotation adjustment design

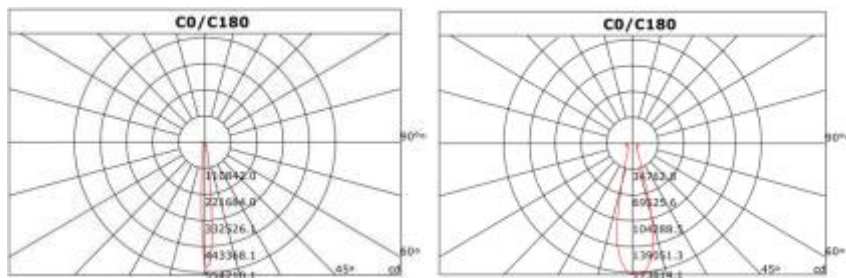


➤ Explosive View



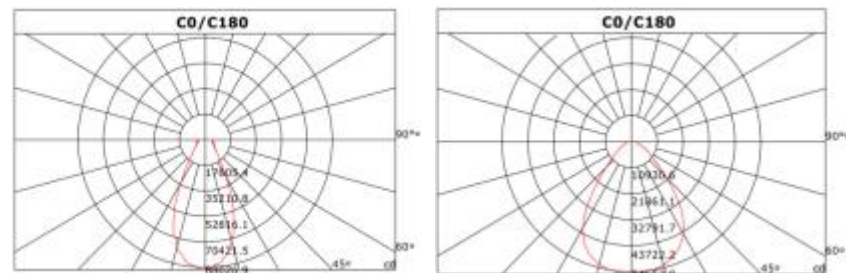
➤ Profession Light Distribution

➤ Dimensions



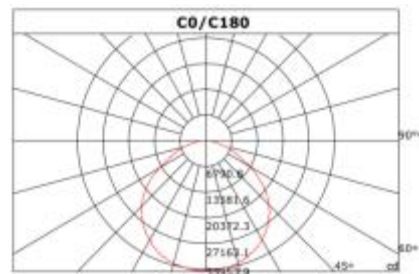
10°

30°

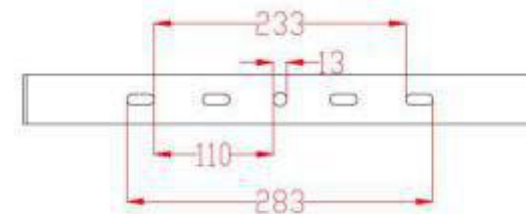
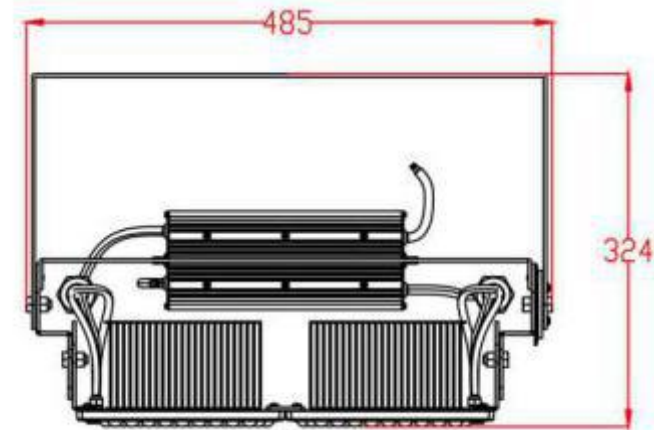
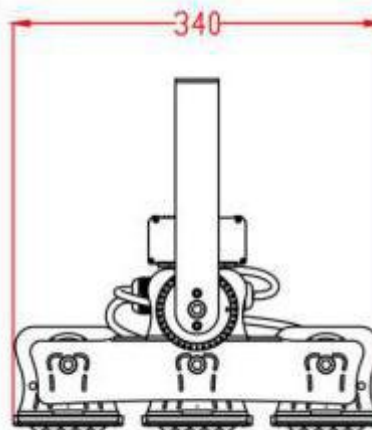


60°

90°



120°



➤ Packaging

Inner box	Weight of Box	Outer Carton	Gross Weight of Carton	Box PCS /Carton
53*41.5*24.5cm	11.9KG	56*44*52cm	24.6KG	2