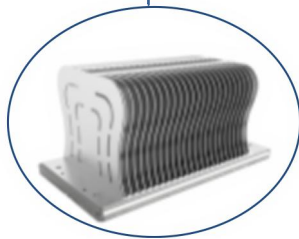
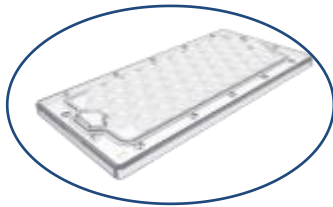


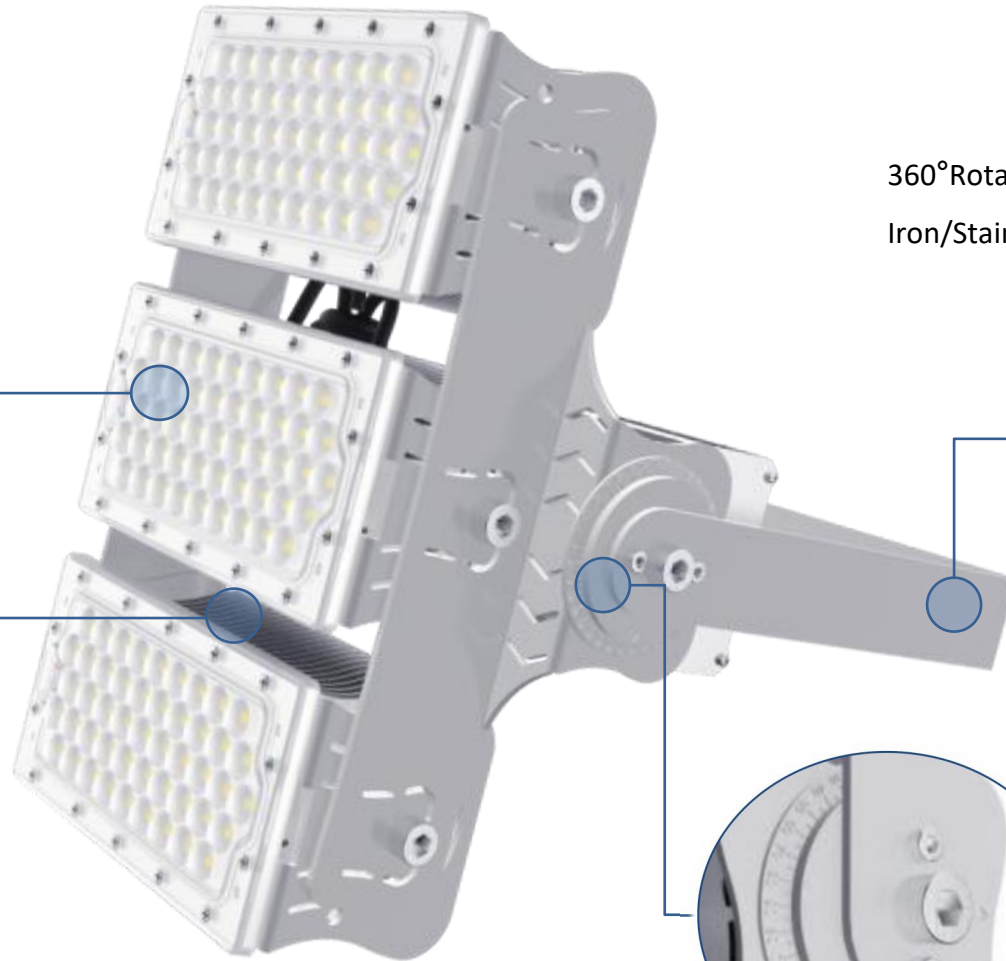
T400-300W Flood Light

Interchangeable Optical Lenses

10°/30°/60°/90°/120°



High Efficient Heatsink



360° Rotatable Holder

Iron/Stainless Steel Holder



Original Angle Scale Plate

➤ Product Parameter

➤ Wattage	300W
➤ Light Quantity	144PCS LED
➤ Driver	Meanwell
➤ CRI	Ra>70
➤ CCT	2700-6500K
➤ Rated Voltage	AC 90-305V 50/60Hz
➤ Power Factor	>0.95
➤ Net Weight	5.6kg±5%
➤ Operating Temp	-40℃ ~ 60℃
➤ Dimensions	291*340*324mm
➤ IP Grade	IP65

Lamp Luminous Flux	Beam Angle	Light Source
160LM/W	60 °/90° /120°	Lumileds
150LM/W	30°	Lumileds
120LM/W	10°	Cree



Significant cost savings



Reliable, high quality light



Long life –up to 50 000 hours



Up to 80-90% energy saving



Quick and easy installation



Environmentally friendly solutions

➤ Scope of Application

Designed to meet recommended luminance and illuminance requirements for high & low flood lighting applications in industrial and commercial buildings.

- Airport
- Factory
- Billboard
- Warehouse
- Shopping Malls
- Sports Field
- High Mast Light



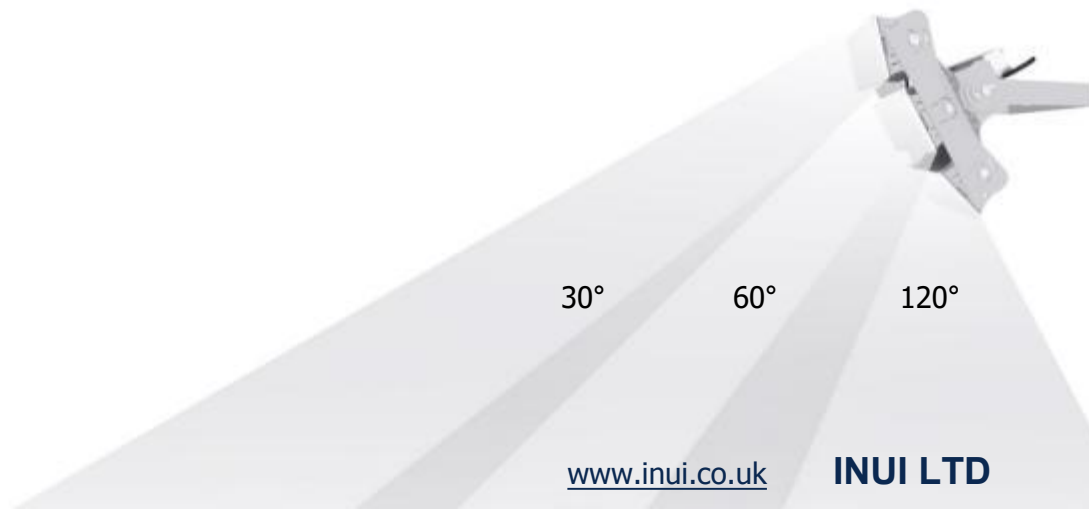
➤ Feature

➤ Installation

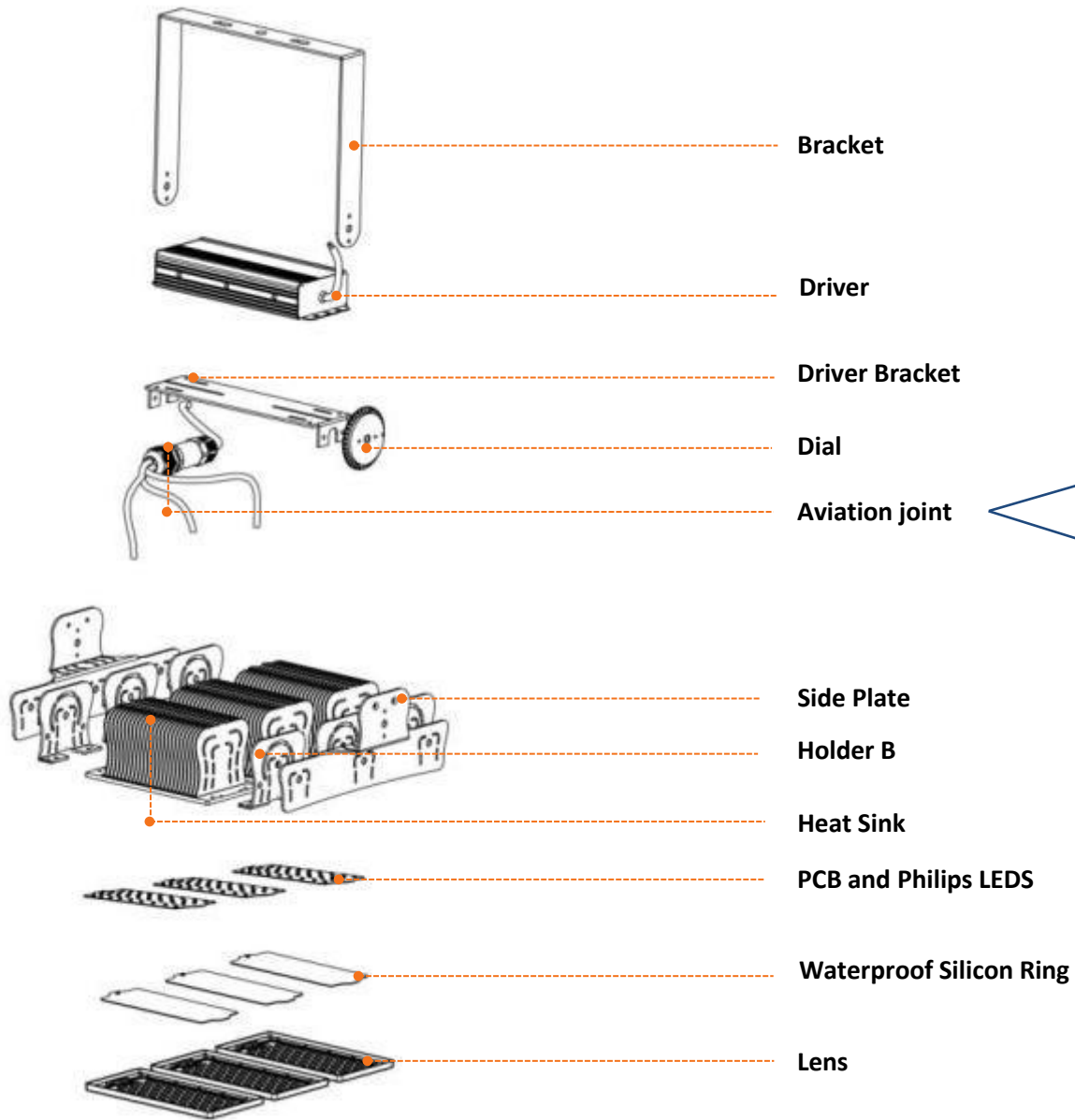


- Suspension Installation
- Ground Installation
- Ceiling Installation
- Wall Installation

➤ Rotation adjustment design

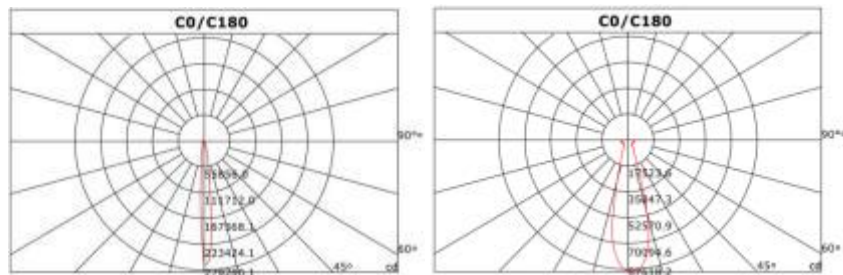


➤ Explosive View



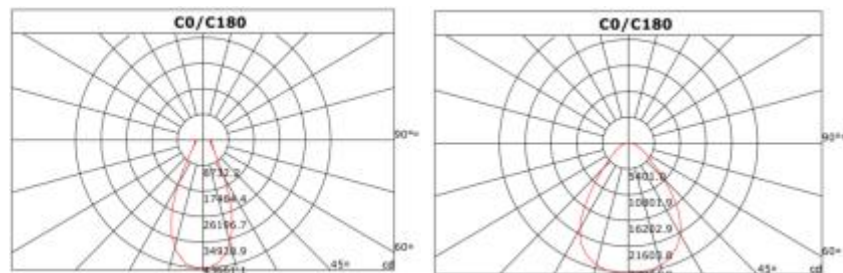
➤ Profession Light Distribution

➤ Dimensions



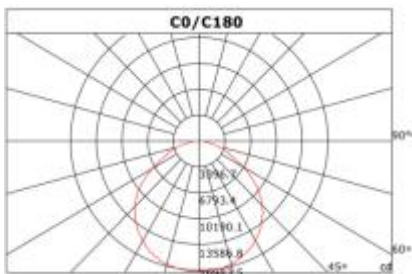
10°

30°

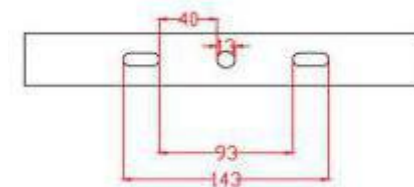
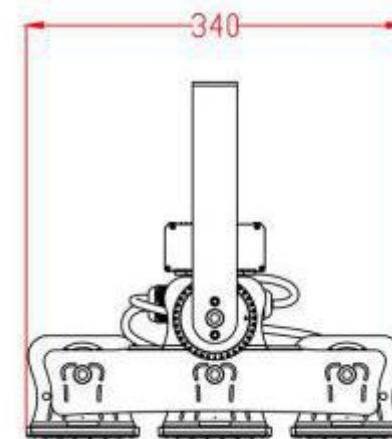
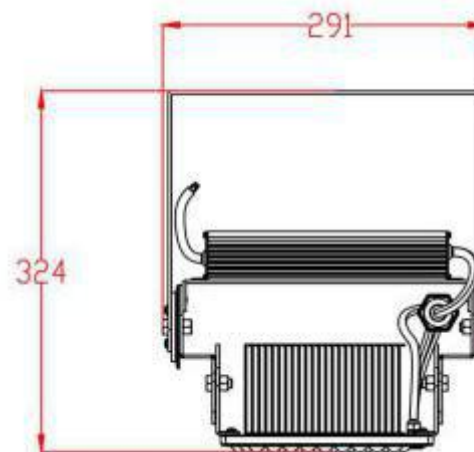


60°

90°



120°



➤ Packaging

Inner box	Weight of Box	Outer Carton	Gross Weight of Carton	Box PCS /Carton
41*34*23cm	6.7KG	71*44*50cm	27.5KG	4