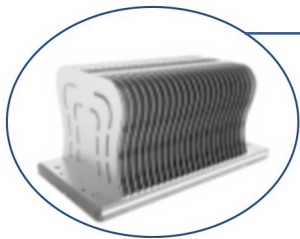


T400-100W Flood Light

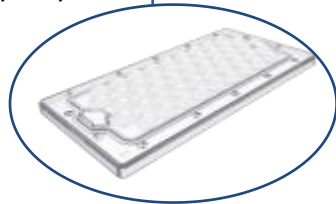
High Efficient Heatsink



360° Rotatable Holder
Iron/Stainless Steel Holder

Interchangeable Optical Lenses

10°/30°/60°/90°/120°



Original Angle Scale Plate



➤ Product Parameter

➤ Wattage	100W
➤ Light Quantity	48PCS LED
➤ Driver	Meanwell
➤ CRI	Ra>70
➤ CCT	2700-6500K
➤ Rated Voltage	AC 90-305V 50/60Hz
➤ Power Factor	>0.95
➤ Net Weight	2.9kg±5%
➤ Operating Temp	-40℃ ~ 60℃
➤ Dimensions	291*102*266mm
➤ IP Grade	IP65

Lamp Luminous Flux	Beam Angle	Light Source
160LM/W	60 °/90° /120°	Lumileds
150LM/W	30°	Lumileds
120LM/W	10°	Cree



Significant cost savings



Reliable, high quality light



Long life –up to 50 000 hours



Up to 80-90% energy saving



Quick and easy installation



Environmentally friendly solutions

➤ Scope of Application

Designed to meet recommended luminance and illuminance requirements for high & low flood lighting applications in industrial and commercial buildings.

- Airport
- Factory
- Billboard
- Warehouse
- Shopping Malls
- Sports Field
- High Mast Light



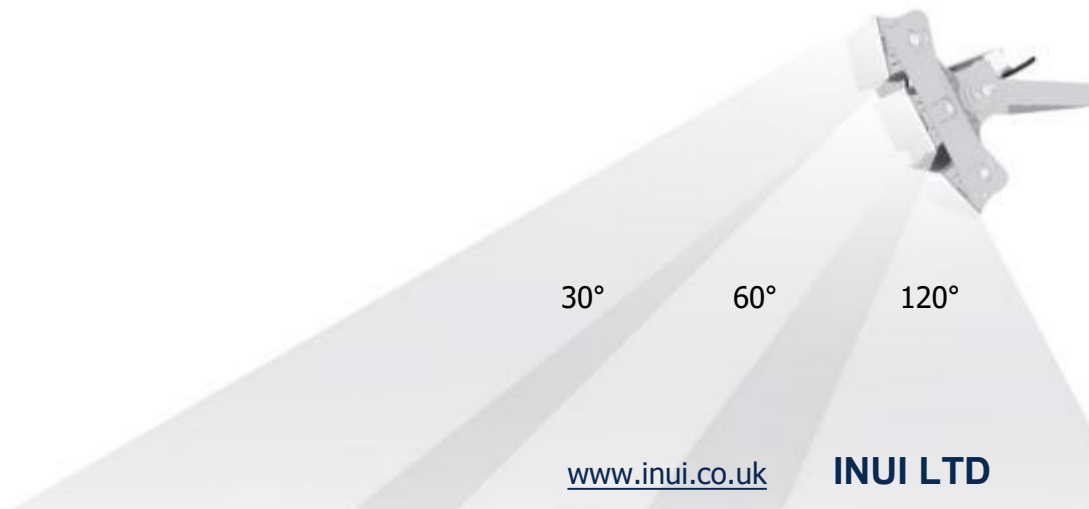
➤ Feature

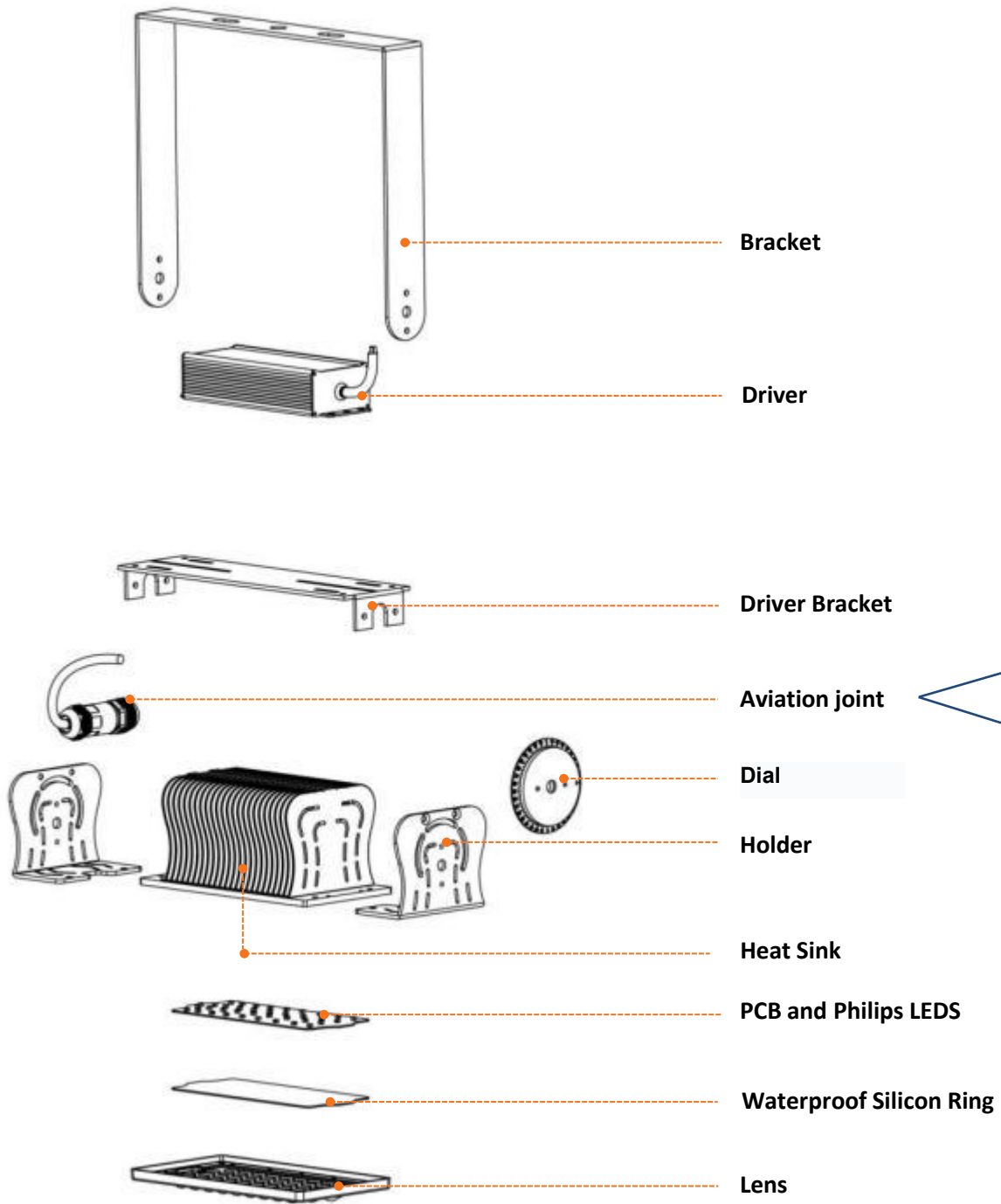
➤ Installation



- Suspension Installation
- Ground Installation
- Ceiling Installation
- Wall Installation

➤ Rotation adjustment design



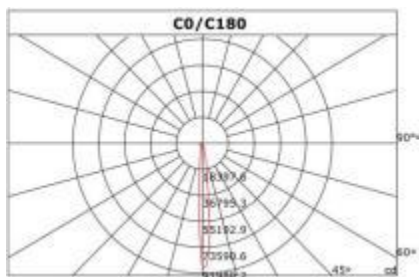


➤ Explosive View

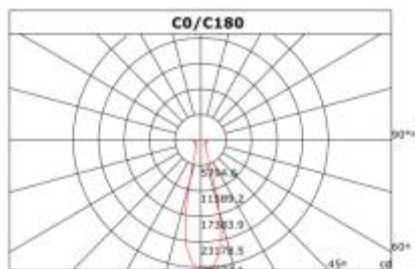


➤ Profession Light Distribution

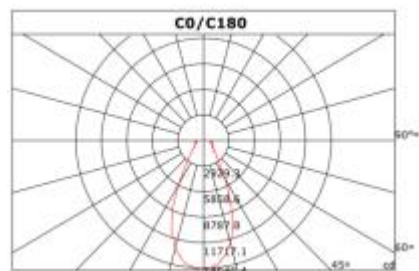
➤ Dimensions



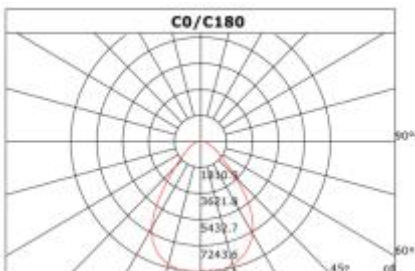
10°



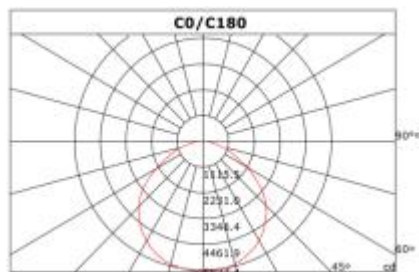
30°



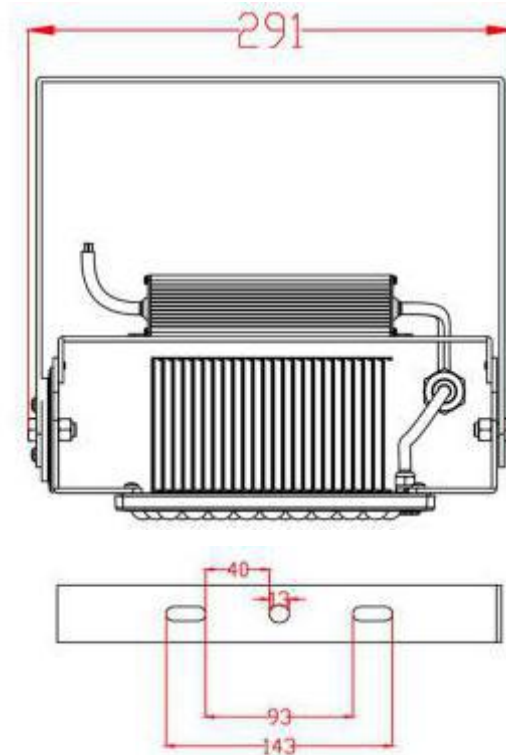
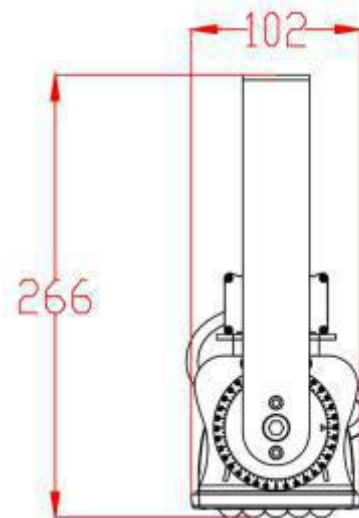
60°



90°



120°



➤ Packaging

Inner box	Weight of Box	Outer Carton	Gross Weight of Carton	Box PCS /Carton
32*13*29cm	3.5KG	72*36*63cm	36KG	10