



Ex marking: Ex db e IIC T6/T5/T4 Gb
Ex tb IIIC T80°C/T95°C/T130°C Db,IP66

Application

- Ideal to be used in the oilfield, chemical industry, offshore drilling platform, steel industry, petroleum etc.
- Gas explosive environment: Group IIA,IIB,IIC.
- Zone 1,zone 2;zone 21,zone 22.



Characteristics

- It is made using a special aluminum housing, all exposed fasteners and bracket adopt 304 stainless steel. Using high-tech anti-corrosion surface treatment technology, suitable for long-term highly corrosive environment of offshore oil platforms, oil drilling platform, chlor-alkali, vulcanization cyanide, etc.
- A full range of high conductivity material accelerate convection cooling structure, effective guarantee long-term use in high temperature environments.
- Variety of light distribution, variety of installation types, an effective solution to beautify workshop and device platform.
- The shell is made of high-tech surface coating technology, corrosion resistant, waterproof and dust proof, suitable for harsh environments.
- Optoelectronic integrated technology, no dark spot, no ghosting, the average light efficiency of whole lamp can reach to 120 lm/W, energy-saving is 60% more than Metal Halide Lamp.
- Taiwan Meanwell power supply or same quality power supply, power factor above 0.98, high reliability and long time service life.
- Independent wiring chamber, safe and easy installation and maintenance.
- Quick replay light source without welding.
- Intelligent control functions can be realized.(Dimming: 1-10VDC, PWM, Carrier, DALI, etc.)

Main Specification

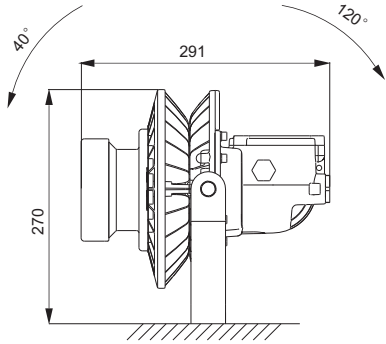
| Item | Technical Parameters |
|-------------------|-----------------------------------|
| Input voltage (V) | 90~264VAC |
| Rated frequency | 50Hz / 60Hz |
| CRI (Ra) | 70 (80 optional) |
| Life time (h) | 50,000 |
| CCT | 5000K(3000K/4000K optional) |
| Cable entry | M20×1.5 |
| Terminals | Multi core: $\leq 2.5\text{mm}^2$ |
| | Single core: $\leq 4\text{mm}^2$ |
| Dimension (mm) | 291 × 260 × 270 |
| Net weight (kg) | 5.4 |

Ordering Reference

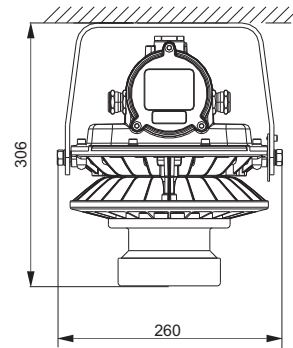
| Model number | Picture | Rated Wattage (W) | Light output (lm) | Light distribution curve(1000cd/lm) | Equivalent to |
|--------------------------|---------|-------------------|-------------------|-------------------------------------|---------------|
| | | | | | MH |
| Series 6 Bracket-L60-18° | | 60W | 5900 | | 150W |
| Series 6 Bracket-L80-18° | | 80W | 7500 | | 175W |

Drawing of dimension (Dimensions in mm)

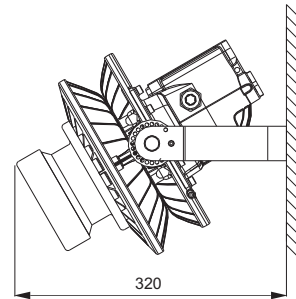
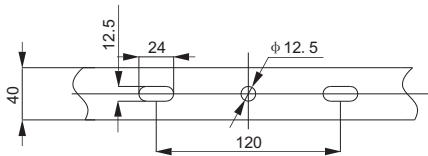
Seat mounting



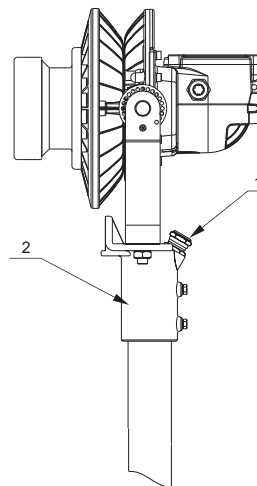
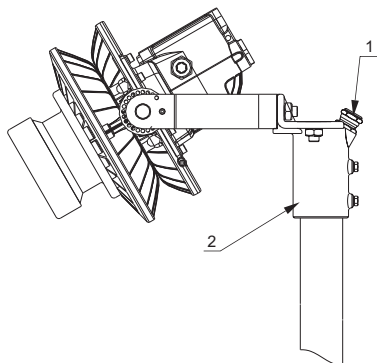
Ceiling mounting



Side wall mounting



Pole mounting



Accessories ordering information(optional)

| Order number | No. | Specification | quantity | note |
|--------------|-----|------------------------|----------|--------------------------------|
| P07 | 1 | Water proof plug M20 | 1 | $\phi 8 \sim \phi 12$ mm cable |
| | 2 | Vertical Mounting pole | 1 | $\phi 40 \sim \phi 50$ mm pole |