



RoHS
LM79
LM84



Ex marking: Ex db e IIC T4/T3 Gb
Ex tb IIC T130°C/T195°C Db,IP66

Application

- Ideal to be used in the oilfield, chemical industry, offshore drilling platform, steel industry, petroleum etc.
- Gas explosive environment: Group IIA, IIB, IIC.
- Zone 1, zone 2; zone 21, zone 22.



Characteristics

- It is made using a special aluminum housing, all exposed fasteners adopt 304 stainless steel. Using high-tech anti-corrosion surface treatment technology, suitable for long-term highly corrosive environment of offshore oil platforms, oil drilling platform, chlor-alkali, vulcanization cyanide, etc.
- A full range of high conductivity material accelerate convection cooling structure, effective guarantee long-term use in high temperature environments.
- Variety of light distribution, variety of installation types, an effective solution to beautify workshop and device platform.
- The shell is made of high-tech surface coating technology, corrosion resistant, waterproof and dust proof, suitable for harsh environments.
- Optoelectronic integrated technology, no dark spot, no ghosting, the average light efficiency of whole lamp can reach to 120 lm/W, energy-saving is 60% more than Metal Halide Lamp.
- Taiwan Meanwell driver or driver with same quality, power factor above 0.98, high reliability and long time service life.
- Independent wiring chamber, safe and easy installation and maintenance.
- Quick replay light source without welding.
- Intelligent control functions can be realized. (Dimming: 1-10VDC, PWM, Carrier, DALI, etc.)

Main Specification

Item	Technical Parameters
Input voltage (V)	90~264VAC
Rated frequency	50Hz / 60Hz
CRI (Ra)	70 (80 optional)
Life time (h)	50,000
CCT	5000K(3000K/4000K optional)
Cable entry	M20×1.5, M25×1.5, G3/4", NPT1/2", NPT3/4"
Terminals	Multi core: ≤ 2.5mm ²
	Single core: ≤ 4mm ²
Dimension (mm)	φ 300×290
Net weight (kg)	6.4

Ordering reference

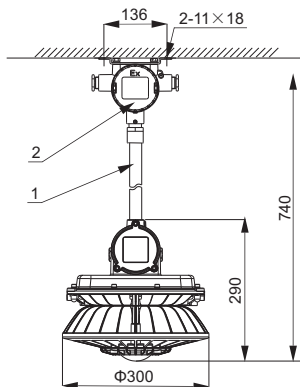
Model number	Picture	Rated Wattage (W)	Light output (lm)	Space height ratio	Mounting height (m)	Light distribution curve(1000cd/lm)	Equivalent to
							MH
Series 5HP Pole-L100-40°		100W	11300	0.7	8~12m		250W
Series 5HP Pole-L120-40°		120W	13000				>250W
Series 5HP Pole-L150-40°		150W	16500		400W		
Series 5HP Pole-L180-40°		180W	17500		>400W		

Model number	Picture	Rated Wattage (W)	Light output (lm)	Space height ratio	Mounting height (m)	Light distribution curve(1000cd/lm)	Equivalent to MH
Series 5HP Pole-L100-60°		100W	11200	0.9	8~12m		250W
Series 5HP Pole-L120-60°		120W	12900		>250W		
Series 5HP Pole-L150-60°		150W	16500		400W		
Series 5HP Pole-L200-60°		200W	23100		>400W		
Series 5HP Pole-L240-60°		240W	26700		600W~800W		
Series 5HP Pole-L100-80°		100W	11500	1.35	8~12m		250W
Series 5HP Pole-L120-80°		120W	13200		>250W		
Series 5HP Pole-L150-80°		150W	16800		400W		
Series 5HP Pole-L200-80°		200W	23700		>400W		
Series 5HP Pole-L240-80°		240W	27200		600W~800W		
Series 5HP Pole-L100-100°		100W	11600	1.4	8~12m		250W
Series 5HP Pole-L120-100°		120W	13400		>250W		
Series 5HP Pole-L150-100°		150W	17000		400W		
Series 5HP Pole-L200-100°		200W	23900		>400W		
Series 5HP Pole-L240-100°		240W	27400		600W~800W		

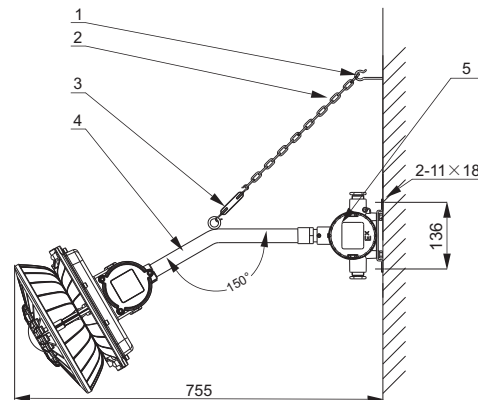
Note 1: Lens can be customized 60°×80°, 90°×100°, 200°

Drawing of dimension (Dimensions in mm)

Pole mounting



Wall mounting 150deg



Accessories order information(Pole mounting)

Order number	No.	Specification	quantity
P01	1	G3/4" pole 30cm	1
BHD01	2	Explosion proof junction box	1

Accessories order information(Wall mounting 150deg)

Order number	No.	Specification	quantity
P03	1	Expansion screw hook	1
	2	Chain	1
	3	C-C turn buckle	1
	4	G3/4" bend pipe 150°	1
BHD01	5	Explosion proof junction box	1