



Ex marking: Ex db e IIC T6/T5/T4 Gb
Ex tb IIIC T80°C/T95°C/T130°C Db,IP66

Application

- Ideal to be used in the oilfield, chemical industry, offshore drilling platform, steel industry, petroleum etc.
- Gas explosive environment: Group IIA, IIB, IIC.
- Zone 1, zone 2; zone 21, zone 22.



Characteristics

- It is made using a special aluminum housing, all exposed fasteners adopt 304 stainless steel. Using high-tech anti-corrosion surface treatment technology, suitable for long-term highly corrosive environment of offshore oil platforms, oil drilling platform, chlor-alkali, vulcanization cyanide, etc.
- A full range of high conductivity material accelerate convection cooling structure, effective guarantee long-term use in high temperature environments.
- Variety of light distribution, variety of installation types, an effective solution to beautify workshop and device platform.
- The shell is made of high-tech surface coating technology, corrosion resistant, waterproof and dust proof, suitable for harsh environments.
- Optoelectronic integrated technology, no dark spot, no ghosting,, energy-saving is 60% more than Metal Halide Lamp.
- Taiwan Meanwell power supply or same quality power supply, power factor above 0.98, high reliability and long time service life.
- Independent wiring chamber, safe and easy installation and maintenance.
- Quick replay light source without welding.
- Intelligent control functions can be realized.(Dimming: 1-10VDC, PWM, Carrier, DALI, etc.)

Main Specification

Item	Technical Parameters
Input voltage (V)	90~264VAC
	18~43VAC/ 18~55VDC
Rated frequency	50Hz / 60Hz
Light source	LED
CRI (Ra)	70 (80 optional)
Life time (h)	50,000
CCT	5000K(3000K/4000K optional)
Cable entry	M20×1.5, M25×1.5, G3/4", NPT1/2", NPT3/4"
Dimension (mm)	φ 230×270
Net weight (kg)	4.2

Ordering reference

Model number	Picture	Rated Wattage	Light output (lm)	Space height ratio	Mounting height	Light distribution curve(1000cd/lm)	Equivalent to MH
Series 5 Pole-L50-40°		50W	5400	0.7	5~8m		> 100W
Series 5 Pole-L60-40°		60W	6700				150W
Series 5 Pole-L80-40°		80W	8400		8~10m		175W

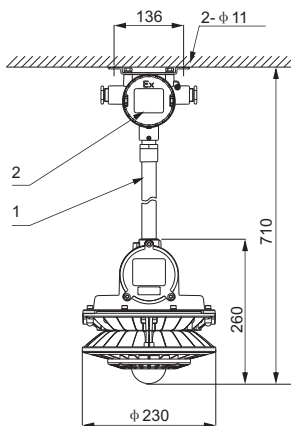
Model number	Picture	Rated Wattage (W)	Light output (lm)	Space height ratio	Mounting height (m)	Light distribution Curve(1000cd/lm)	Equivalent to
							MH
Series 5 Pole-L30-60°		30W	3400	0.9	3~6m		70W
Series 5 Pole-L40-60°		40W	4400				100W
Series 5 Pole-L50-60°		50W	5400		> 100W		
Series 5 Pole-L60-60°		60W	6700		150W		
Series 5 Pole-L80-60°		80W	8400		175W		
Series 5 Pole-L30-80°		30W	3500	1.4	3~6m		70W
Series 5 Pole-L40-80°		40W	4500				100W
Series 5 Pole-L50-80°		50W	5600		> 100W		
Series 5 Pole-L60-80°		60W	6900		150W		
Series 5 Pole-L80-80°		80W	8700		175W		
Series 5 Pole-L30-100°		30W	3500	1.4	2~6m		70W
Series 5 Pole-L40-100°		40W	4600				100W
Series 5 Pole-L50-100°		50W	5600		> 100W		
Series 5 Pole-L60-100°		60W	7000		150W		
Series 5 Pole-L80-100°		80W	8800		175W		
Series 5 Pole-L30-200°		30W	2800	1.75	2~5m		70W
Series 5 Pole-L40-200°		40W	3700				100W
Series 5 Pole-L50-200°		50W	4500		> 100W		
Series 5 Pole-L60-200°		60W	5400		150W		
Series 5 Pole-L80-200°		80W	6800		175W		
Input voltage: 18~43VAC/ 18~55VDC							
Series 5 Pole-L40L-40°		40W	4400	0.7	5~8m		100W
Series 5 Pole-L60L-40°		60W	6700				150W
Series 5 Pole-L25L-60°		25W	2800	0.9	3~6m		70W
Series 5 Pole-L40L-60°		40W	4400				100W
Series 5 Pole-L60L-60°		60W	6700		150W		
Series 5 Pole-L25L-80°		25W	2900	1.4	3~6m		70W
Series 5 Pole-L40L-80°		40W	4600				100W
Series 5 Pole-L60L-80°		60W	6900		150W		

Model number	Picture	Rated Wattage (W)	Light output (lm)	Space height ratio	Mounting height (m)	Light distribution Curve(1000cd/lm)	Equivalent to
							MH
Series 5 Pole-L25L-100°		25W	2900	1.4	2~6m		70W
Series 5 Pole-L40L-100°		40W	4600				100W
Series 5 Pole-L60L-100°		60W	7000				150W
Series 5 Pole-L25L-200°		25W	2400	1.75	2~5m		70W
Series 5 Pole-L40L-200°		40W	3700				100W
Series 5 Pole-L60L-200°		60W	5400		150W		

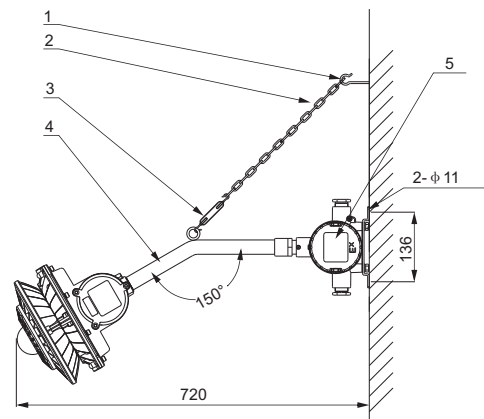
Note 1: Lens can be customized 60°×80°, 90°×110°

Drawing of dimension (Dimensions in mm)

Pole mounting



Wall mounting 150deg



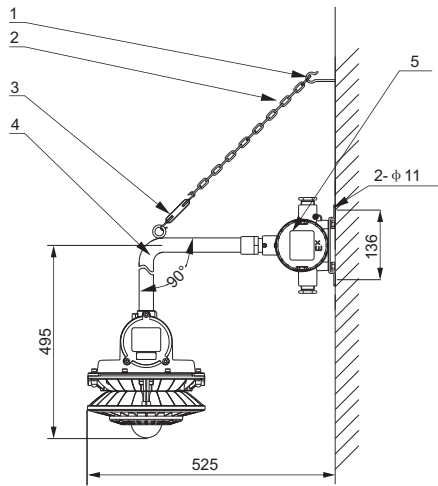
Accessories order information(Pole mounting)

Order number	No.	Specification	quantity
P01	1	G3/4" pole 30cm	1
BHD01	2	Explosion proof junction box	1

Accessories order information(Wall mounting 150deg)

Order number	No.	Specification	quantity
P03	1	Expansion screw hook	1
	2	Chain	1
	3	C-C turn buckle	1
	4	G3/4" bend pipe 150°	1
BHD01	5	Explosion proof junction box	1

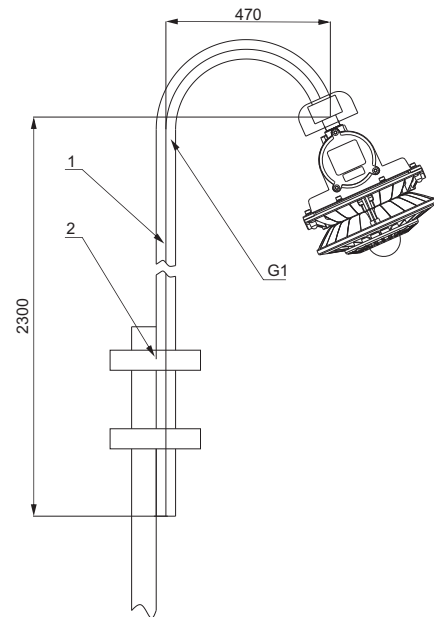
Wall mounting 90deg



Accessories order information(Wall mounting 90deg)

Order number	No.	Specification	quantity
P04	1	Expansion screw hook	1
	2	Chain	1
	3	C-C turn buckle	1
	4	G3/4" bend pipe 90°	1
BHD01	5	Explosion proof junction box	1

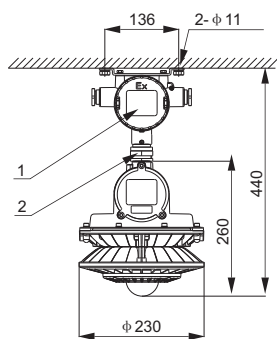
Guardrail mounting



Accessories order information(Guardrail mounting)

Order number	No.	Specification	quantity
P05	1	fence pole	1
	2	U type bolts	2

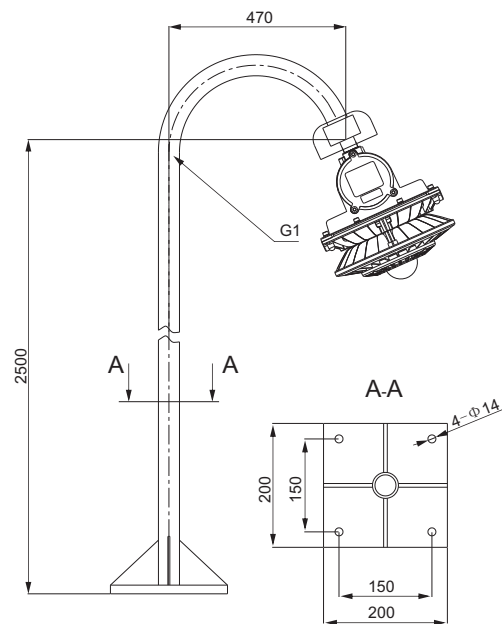
Ceiling mounting



Accessories order information(ceiling mounting)

Order number	No.	Specification	quantity
BHD01	1	Explosion proof junction box	1
P02	2	Adapter G3/4"(female - male)	1

Flange mounting



Accessories order information(Flange mounting)

Order number	No.	Specification	quantity
P06	1	Flange pole	1