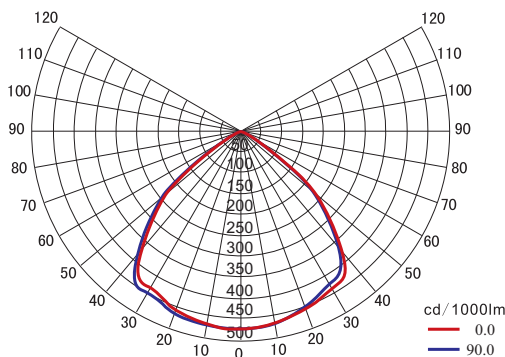




Ex marking: Ex d IIB T6 Gb  
Ex tb IIIC T80°C Db



## Light Distribution Curve



## Application

- Ideal to be used in the oilfield, chemical industry, steel industry, power, port, Petroleum etc. Harsh environment, moist area.
- class I, zone 1 & zone 2, zone 21 & zone 22

## Characteristics

- The Light distribution and its mounting types are especially designed for the platform.
- It adopts American CREE LED as light source, can save 60% or more on energy than the metal halide lamp.
- The housing is designed to dissipate heat, which increase the efficiency and the lifespan of the LED, so that to ensure the 100,000 hours led lifespan.
- Supplied with the world top ranking Taiwan Meanwell LED driver, ensure the lamp of high performance, more efficient.
- The anti corrosion, abrasion proof, power coated cover which is dust proof, water proof, make the lamp an excellent option for all kinds of high stress environment.
- 18~43VAC or 18~55VDC is optional for 25W and 40W as customer's requirement.

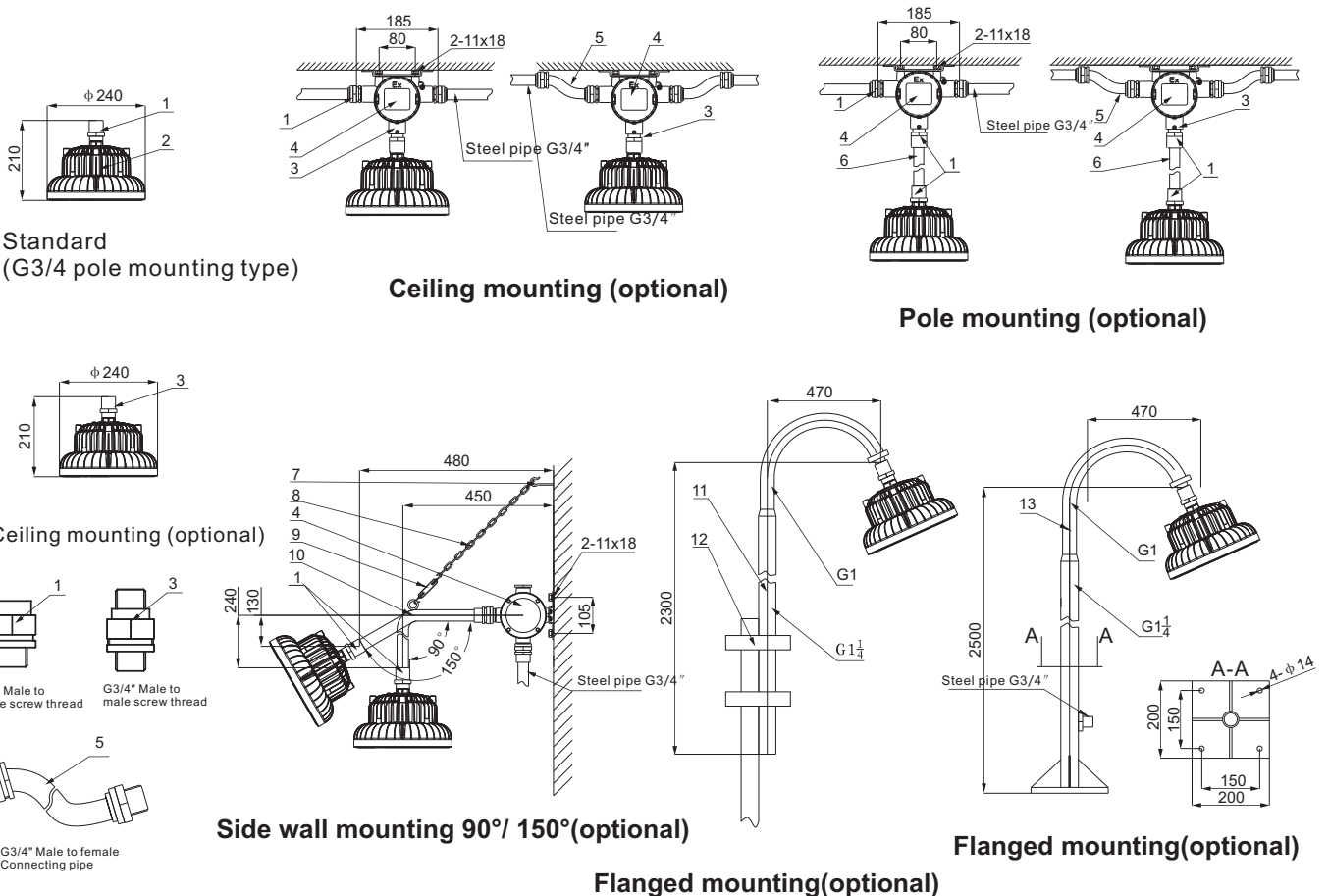
## Main Specification

Item	Technical Parameters
Input voltage (V)	90~264VAC
	18~43VAC/ 18~55VDC (25~40W)
Rated frequency	50Hz / 60Hz
Light source	LED
Life time (h)	100,000
CRI (Ra)	75
CCT	5000K ±250K
Cable entry	G3/4"
Dimension (mm)	φ 240 × 180
Net weight (kg)	4

## Ordering Reference

Model number	Input voltage (V)	Rated wattage (W)	Light output (lm)	Mounting height (m)	Equivalent to
					MH
LEDEXPCS1- L25	90~264VAC	25W	2400	3~6m	50~70W
LEDEXPCS1- L40		40W	4300		100W
LEDEXPCS1- L60		60W	5800	4~8m	150W
LEDEXPCS1- L25L	18~43VAC/ 18~55VDC	25W	2400	3~6m	50~70W
LEDEXPCS1- L40L		40W	4300		100W

## Drawing of dimension (Dimensions in mm)



Number	Name	Quantity	Remark	Number	Name	Quantity	Remark
1	Explosion proof connector	Reference mounting image	G3/4"female to male	8	Chain	1	
2	BC9303	1	female to male	9	Turn buckle	1	
3	Explosion proof connector	Reference mounting image	G3/4"female to male	10	G3/4" bend pipe	1	90 degrees and 150 degrees are optional
4	Explosion proof junction box	1	G3/4"	11	Light pole	1	
5	Connecting pipe	Reference mounting image	G3/4"female to male	12	U-bolts	2	
6	G3/4"pole	1	The length in accordance with the request of the customer	13	flanged type pole	1	
7	Screw hook	1		14			