

HB06 Series High bay light



240W



200W



150W



100W/120W

LUXEON
LUMILEDS

Chips inside



Diver inside

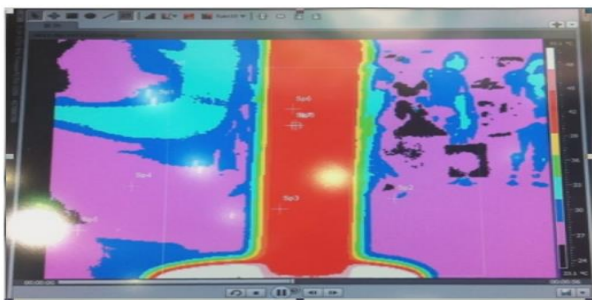
Advantage comparison

➤ Heat dissipation

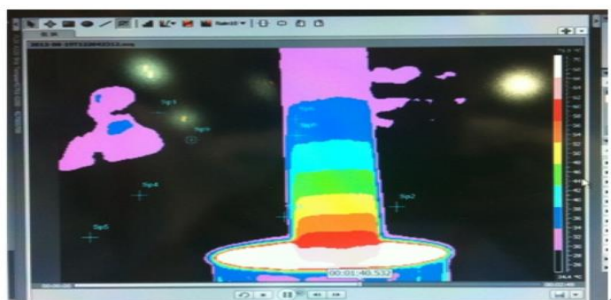


- 1) Better heat convection design
- 2) heat pipe in Center for Phase Change tech.

- 1) Heat convection be impeded
- 2) Just Aluminum for [heat conduction](#)

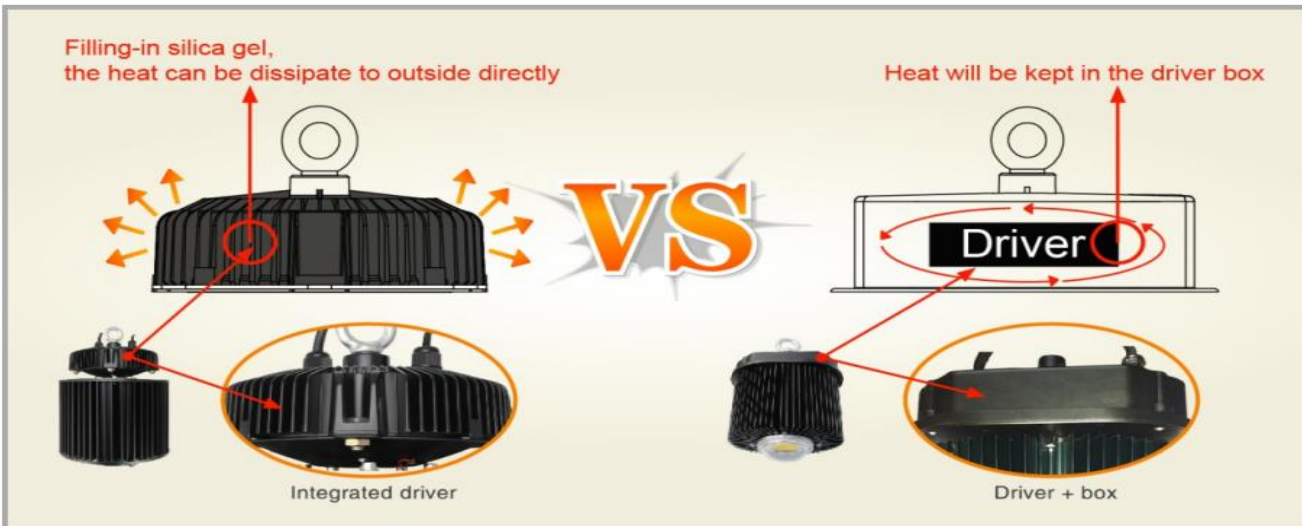


Infrared picture of heat superconductor after put in hot water of 70°C for 30 seconds



Infrared picture of normal aluminum stick after put in hot water of 70°C for 100 seconds

➤ **Integrated Dirver, Better heat dissipation**



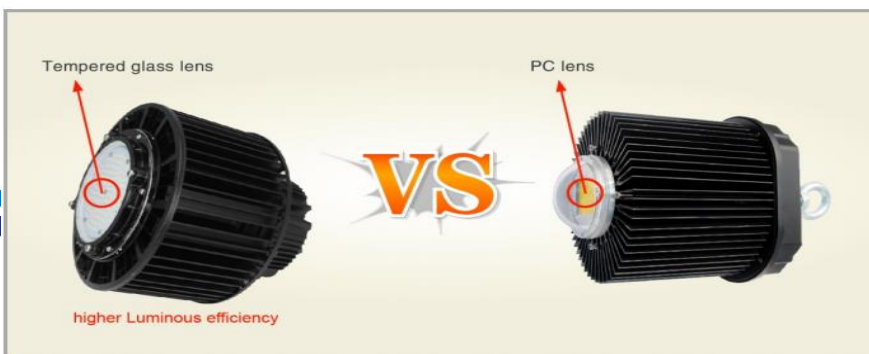
➤ **Cfj[]bU'DUW_Uj Y' @ L9CB' @ a]YXg'W]d**



- 1) Original Package LED chips from LUXEON Lumileds
- 2) 110LM/W for the fixture in facts
- 3) Standard CRI>80

- 1) Package in China Mainland
- 2) Just 90LM/W for the fixture in facts
- 3) Standard CRI =70

➤ **Lens**



- 4) Much higher IK Class
- 5) Temperature-resist grade is 400°C.
- 6) Be suited to bad working position

- 1) Better IK Class
- 2) Temperature-resist grade only 90-100°C.

HB06-100W/120W Series



Specifications

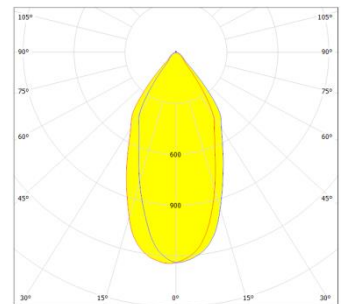
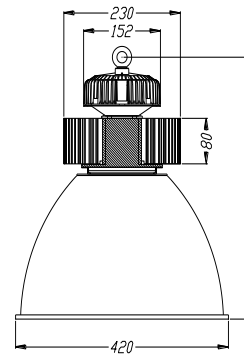
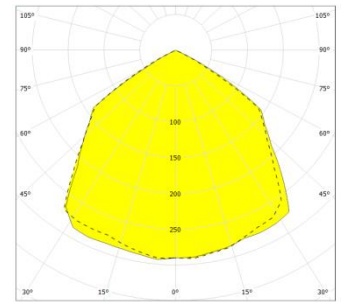
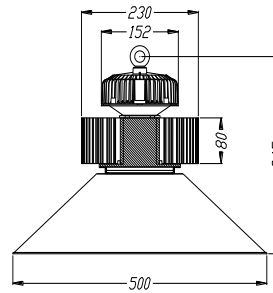
■ Modle Number	HB06-100W-XX-X
■ Wattage	100W/120W
■ Input Voltage Range	100-277Vac 50/60Hz
■ Max.Input current	1.2Amp@100Vac
■ Operating Temp.	-25°C---50°C
■ Power factor	0.95
■ Lumen Output	13000~15600lm
■ Beam Angle	45/100Degree
■ CRI	Ra> 80
■ CCT.	2700K,4000K,5000K,5700K
■ IP Rating	IP65
■ IK Rating	IK07
■ L70 life span	>50000Hrs
■ Housing Material	Aluminum
■ Lens	Tempglass
■ Fixture Dimension	See Drawing
■ Fixture Weight	4.15Kg

Certificate

CE ROHs

Oder Information

Input Voltage	Wattage	CCT	Beam Angle	Dimming
100-277Vac	100W	2700-3000K	Aluminum 45degree	Dimming(1-10V,PWM,Resistor) Non Dimming
	120W	4000-4500K	Aluminum 100degree	
	150W	5000-5500K	PC Reflector	
	200W	5700-6500K		
	250W			



Pakaging

Lamp

4pcs/CTN 18.5Kg Dimension: 585*585*300mm

Reflector

Aluminum 100degree

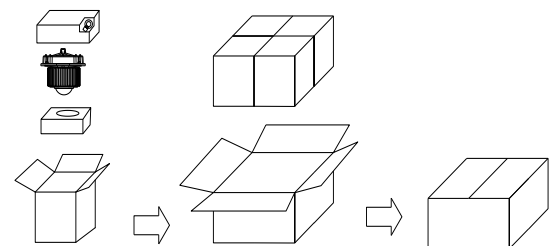
25pcs/CTN 15Kg/CTN Dimension: 550*550*600mm/CTN

Aluminum 45 degree

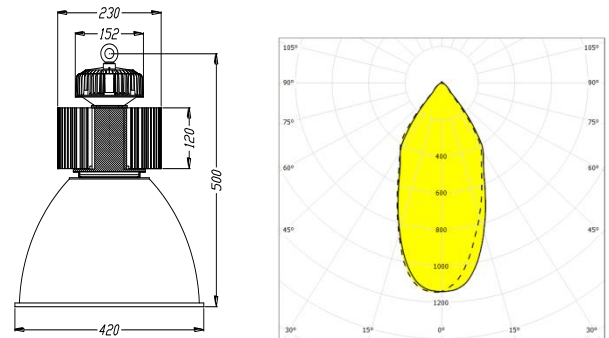
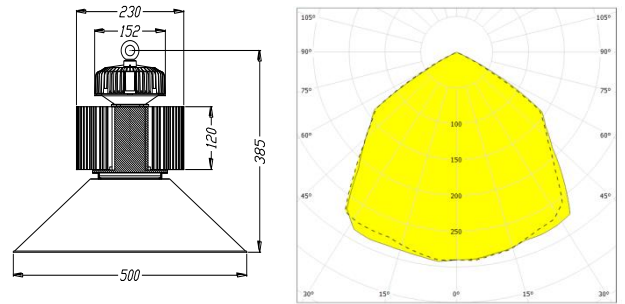
25pcs/CTN 13.75Kg Dimension: 485*485*600mm

PC Reflector

10pcs/CTN 10.5Kg Dimension: 485*485*600mm



HB06-150W Series



Specifications

■ Modle Number	HB06-150W-XX-X
■ Wattage	150W
■ Input Voltage Range	100-277Vac 50/60Hz
■ Max.Input current	2 Amp@100Vac
■ Operating Temp.	-25°C---50°C
■ Power factor	>0.95
■ Lumen Output	19500lm
■ Beam Angle	45/100Degree
■ CRI	Ra> 80
■ CCT.	2700K,4000K,5000K,5700K
■ IP Rating	IP65
■ IK Rating	IK07
■ L70 life span	>50000Hrs
■ Housing Material	Aluminum
■ Lens	Tempglass
■ Fixture Dimension	See Drawing
■ Fixture Weight	4.6Kg

Pakaging

Lamp

4pcs/CTN 21.5Kg Dimension: 585*585*350mm

Reflector

Aluminum 100degree

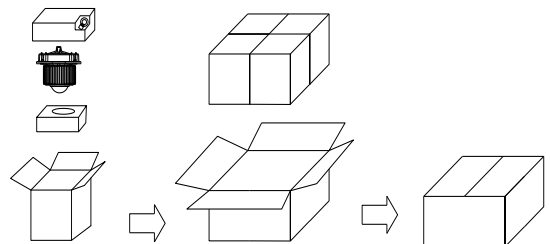
25pcs/CTN 15Kg/CTN Dimension: 550*550*600mm/CTN

Aluminum 45 degree

25pcs/CTN 13.75Kg Dimension: 485*485*600mm

PC Reflector

10pcs/CTN 10.5Kg Dimension: 485*485*600mm



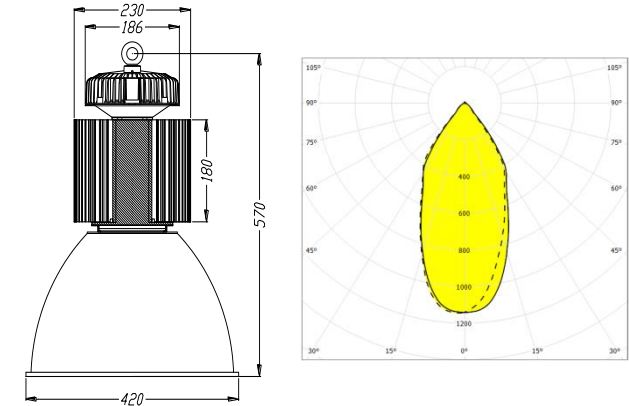
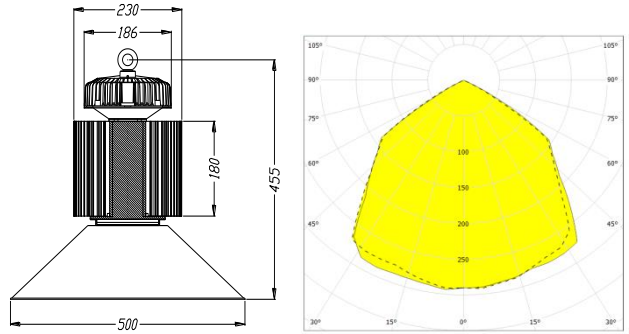
Certificate

CE ROHs

Oder Information

Input Voltage	Wattage	CCT	Beam Angle	Dimming
100-277Vac	100W	2700-3000K	Aluminum 45degree	Dimming(1-10V,PWM,Resistor) Non Dimming
	120W	4000-4500K	Aluminum 100degree	
	150W	5000-5500K	PC Reflector	
	200W	5700-6500K		
	250W			

HB06-200W Series



Specifications

■ Modle Number	HB06-200W-XX-X
■ Wattage	200W
■ Input Voltage Range	100-277Vac 50/60Hz
■ Max.Input current	2 Amp@100Vac
■ Operating Temp.	-25°C---50°C
■ Power factor	>0.95
■ Lumen Output	26000lm
■ Beam Angle	45/100Degree
■ CRI	Ra> 80
■ CCT.	2700K,4000K,5000K,5700K
■ IP Rating	IP65
■ IK Rating	IK07
■ L70 life span	>50000Hrs
■ Housing Material	Aluminum
■ Lens	Tempglass
■ Fixture Dimension	See Drawing
■ Fixture Weight	6.5Kg

Certificate

CE ROHs

Oder Information

Pakaging

Lamp

4pcs/CTN 28.5Kg Dimension: 585*585*400mm

Reflector

Aluminum 100degree

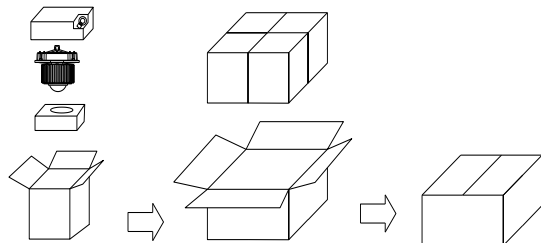
25pcs/CTN 15Kg/CTN Dimension: 550*550*600mm/CTN

Aluminum 45 degree

25pcs/CTN 13.75Kg Dimension: 485*485*600mm

PC Reflector

10pcs/CTN 10.5Kg Dimension: 485*485*600mm



Input Voltage	Wattage	CCT	Beam Angle	Dimming
100-277Vac	100W	2700-3000K	Aluminum 45degree	Dimming(1-10V,PWM,Resistor) Non Dimming
	120W	4000-4500K	Aluminum 100degree	
	150W	5000-5500K	PC Reflector	
	200W	5700-6500K		
	250W			

HB06-250W Series



Specifications

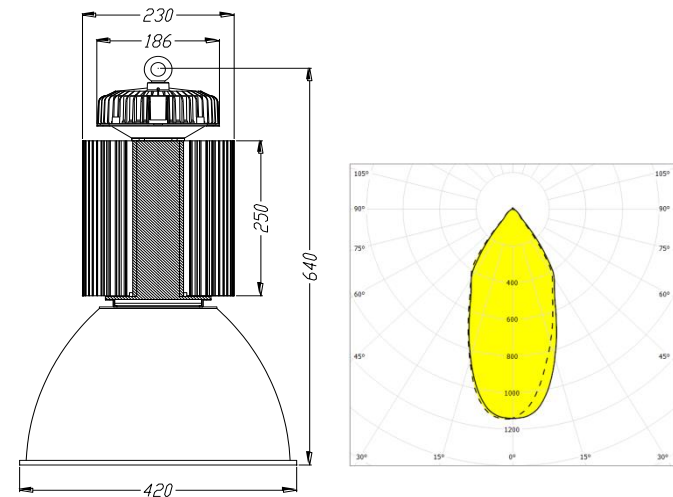
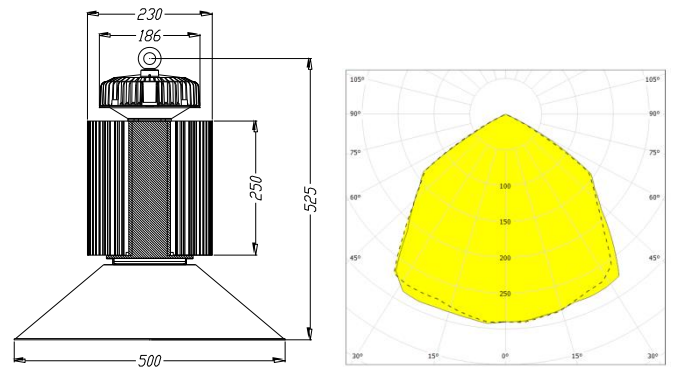
■ Modle Number	HB06-250W-XX-X
■ Wattage	250W
■ Input Voltage Range	100-277Vac 50/60Hz
■ Max.Input current	3 Amp@100Vac
■ Operating Temp.	-25°C---50°C
■ Power factor	>0.95
■ Lumen Output	32500lm
■ Beam Angle	45/100Degree
■ CRI	Ra> 80
■ CCT.	2700K,4000K,5000K,5700K
■ IP Rating	IP65
■ IK Rating	IK07
■ L70 life span	>50000Hrs
■ Housing Material	Aluminum
■ Lens	Tempglass
■ Fixture Dimension	
■ Fixture Weight	7.85Kg

Certificate

CE ROHs

Oder Information

Input Voltage	Wattage	CCT	Beam Angle	Dimming
100-277Vac	100W	2700-3000K	Aluminum 45degree	Dimming(1-10V,PWM,Resistor)
	120W	4000-4500K	Aluminum 100degree	
	150W	5000-5500K	PC Reflector	
	200W	5700-6500K		Non Dimming
	250W			



Pakaging

Lamp

4pcs/CTN 34.5Kg Dimension: 585*585*470mm

Reflector

Aluminum 100degree

25pcs/CTN 15Kg/CTN Dimension: 550*550*600mm/CTN

Aluminum 45 degree

25pcs/CTN 13.75Kg Dimension: 485*485*600mm

PC Reflector

10pcs/CTN 10.5Kg Dimension: 485*485*600mm

