

20W COB 360° rotatable LED TRACK LIGHT

V0 **CE** **ROHS** **ERP** **FCC**



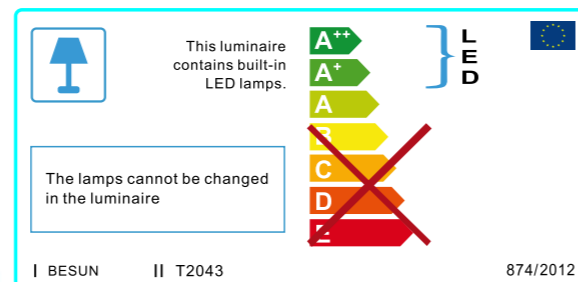
NETWEIGHT
12 Kg

PACKING
19.5x13x25CM **1 pc**

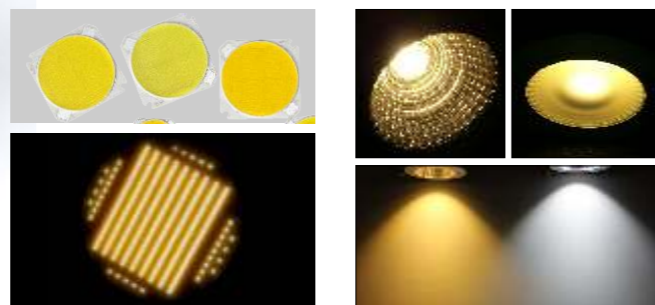
PACKING
60.5x26.5x41CM **9 pc**

Features:
High color rendering, uniform luminance, no light spot, no dark space. It was different from the lighting effects of general LED TRACK LIGHT in the market, substitute to the traditional lamp completely, and no maladjustment

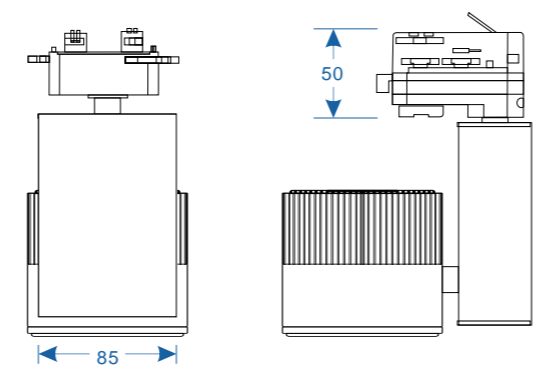
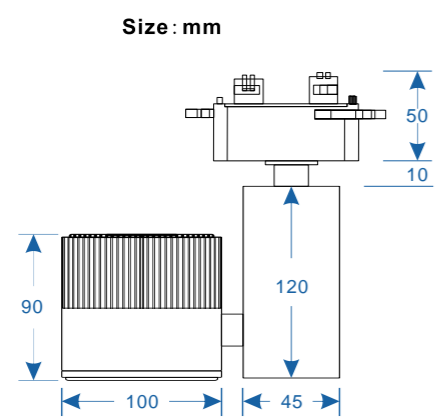
Application :
Products are widely used as indoor main illumination lighting in the office, commercial center, shopping mall, supermarket, factory, etc.



20W COB light source :



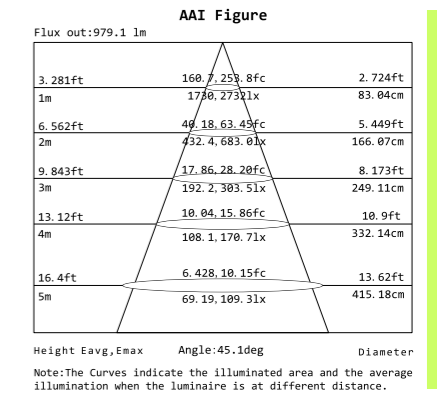
LED	Standard	Super-bright
Power/PCB	20W/Ceramic	
CCT	2700K ,3000K,4000k,6000K	
CRI	CRI>80	
EFF	100-120lm/W	130-150lm/W
Voltage	26-28VDC,700mA	



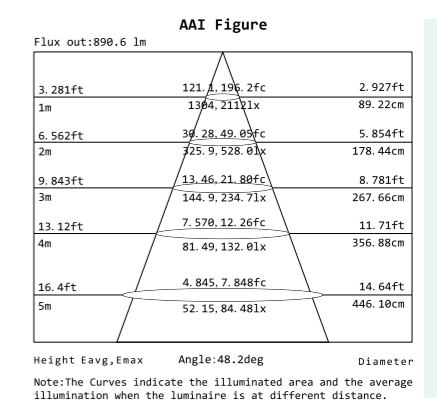
Lamp Parameters :	Standard	Super-bright
Input Voltage	AC100-277V / AC180-277V	
Frequency Range	50Hz~60Hz	
Led Consumption	20W	
System Consumption	23W	
Led Initial Flux	1650-1900LM	2200-2600LM
Color Rendering Index	>80	
Working Temperature	-40°C ~ +55°C	
Fireproof Class	V0	
Track light holder	2-wires, 3-wires, 4-wires,	
Color of housing	black,white,silver	
Certificate	CE ROHS ERP V0 FCC	
Optical data:	IES	

Driver Parameters :	
Brand	Lifud
Input	AC100-277V / AC180-277V
Output	18-28VDC,700mA
Power Factor	0.9-0.97
Power Efficiency	87%
Certificate	UL,FCC,CE,SAA,PSE,CQC,TUV UL Certificate Number:E338140 SAA Certificate Number:TUV16071EA
Dimmable	Triac / dali
MEANWELL:PLD-25-700 is optional	

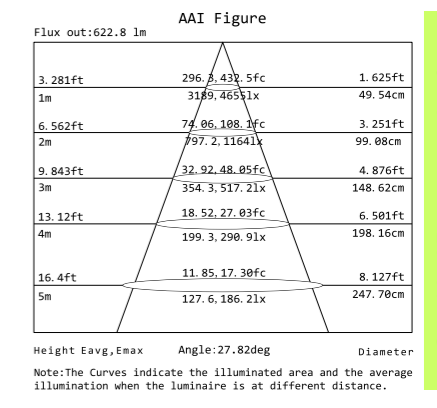
Model No.	Beam angle	CRI	CCT	Illumination	Illumination (S)	Input Voltage(V)
T2021 T2031 T2043	30°/50°	>80	3000K	1650LM	2200LM	AC100-277V AC180-277V
			4000K	1850LM	2400LM	
			6000K	1900LM	2600LM	



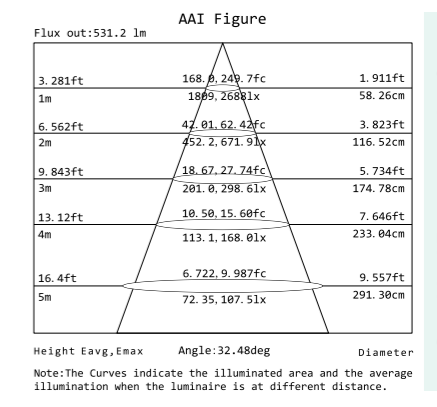
Graphical Representation for
D20120 WW 50° (S)



Graphical Representation for
D20120 NW 50°



Graphical Representation for
D20120 NW 30° (S)



Graphical Representation for
D20120 WW 30°